

# gotham<sup>®</sup> squares

ADVANCING A CLASSIC FORM IN DOWNLIGHTING



gotham<sup>®</sup>

Many architects and designers prefer square aperture recessed lighting where adjacent lighting elements, HVAC and other rectilinear shapes are prevalent on the ceiling surface and surroundings. Yet there is hesitation to use squares because of practical concerns about optical performance and installed appearance. If square apertures are even slightly misaligned, the overall appearance of a space can be compromised.

This is why we developed Gotham® Squares: a complete family of downlight, wallwash and directional/accent luminaires meticulously engineered to meet high standards for efficiency and control, while ensuring precision alignment and absolute consistency of aperture appearance.

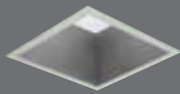
Since Gotham introduced Squares in 2007, we've been busy expanding the platform to include more configurations, lamp choices and trim options. Today, Gotham offers one of the most comprehensive portfolios of square downlights in the industry.

### SQUARE MEANS SQUARE

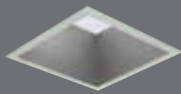
With Gotham® Squares, aperture alignment is no longer an issue. Knowing square ceiling apertures are not as visually forgiving as round shapes, we've incorporated engineering features to ensure accurate placement and straight-line composition. Installation guides make rough-in housing alignment fast, easy and consistent, while keying components lock trims securely into place. Post-installation, fine-tuning adjustments are included, if needed. Gotham Squares apertures are engineered to align perfectly—and stay that way over the life of the product.

### AN EXCEPTIONALLY CLEAN, CONSISTENT APPEARANCE

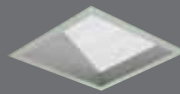
The Gotham Squares family allows you to address a full range of lighting requirements throughout a space while maintaining continuity of appearance. One-piece polymer composite trims ensure quality and consistency, with clean, flush corners, no mitered joints or visible tabs, and no light leaks. The proprietary high-performance finish masks fingerprints, eliminates iridescence, and resists static, dust and degradation over time, so a bare minimum of maintenance keeps Gotham Squares looking new. Choose 4" or 6" square apertures with a selection of trim styles.



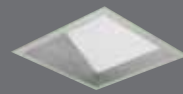
*Recessed Smooth Trim*



*Recessed Stepped Trim*



*Wallwash Smooth Trim*



*Wallwash Stepped Trim*

### UNMATCHED PERFORMANCE IN DOWNLIGHTING AND WALLWASH

However you specify Gotham Squares, be assured the performance is up to Gotham's industry-leading standards. Patented Bounding Ray™ optical design means excellent light distribution control and optimal efficiency, while ceilings remain visually quiet and glare-free.

Downlight luminaires shield the light source with a minimum 30° optical cutoff to the lamp, resulting in visual comfort from all viewing angles—mitigating source brightness even from directly below. An optional step-corrugated trim reduces surface brightness, and an optional concentric square glass prism lens provides low-angle shielding below trim cutoff.

To help you balance spacial luminance, Gotham Squares wallwash luminaires combine reflection and refraction optics, delivering smooth, soft gradations of light across vertical surfaces. As an accent tool, these wallwash configurations have ample luminous punch to highlight vertical displays and surfaces.

Directional luminaires complete the family, ensuring that you have a square to meet every application need. With easy adjustment and full-range vertical tilt and horizontal rotation, these lighting tools allow precise placement of light to enhance interior space. Gotham's optical and mechanical systems expand the range and improve performance of all lamp types.

In any application, Gotham Squares offer efficient and well-controlled illumination without distracting from the intended visual effect. Ask your lighting representative for detailed information on Gotham Squares, or visit our website at [www.gothamlighting.com](http://www.gothamlighting.com).

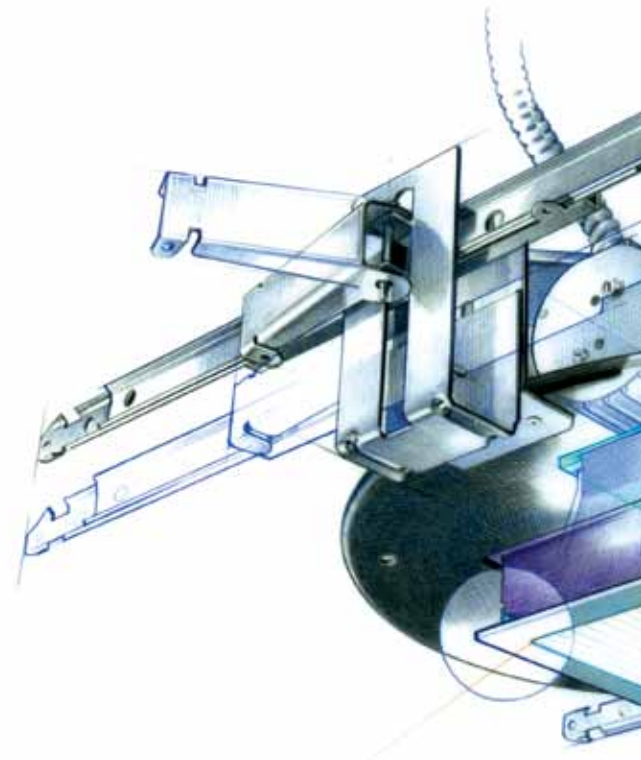
Embodying all the performance qualities Gotham luminaires are known for, the Gotham Squares family offers a clear aesthetic alternative. Now specifiers can address a full range of lighting requirements with an architectural form consistent with other rectilinear shapes on the ceiling surface and surroundings.


The square aesthetic is completed with directional luminaires. Lamp performance is maximized by Gotham's directional optical system, while easy vertical adjustments and full horizontal rotation allow you to accentuate architectural features, artwork and displays with true precision.

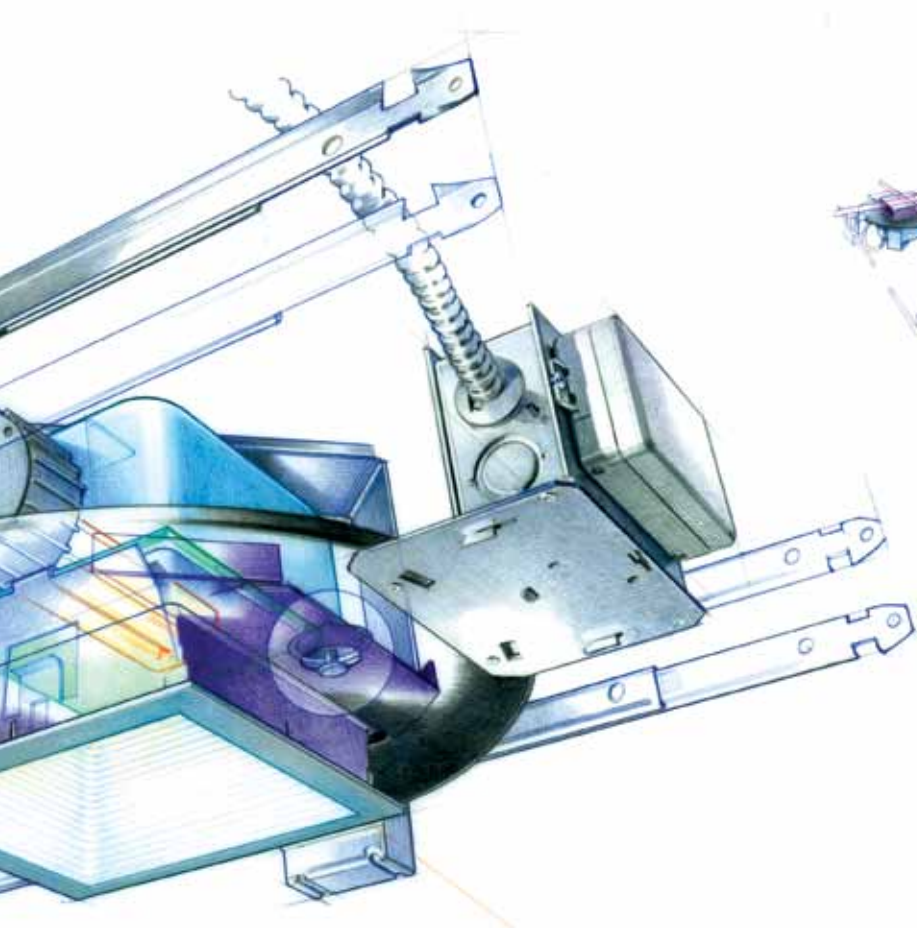
Patented Bounding Ray™ optical design significantly reduces brightness and suppresses backflash, resulting in a visually quiet ceiling. Options such as a step-corrugated reflector and concentric square glass prism lens offer additional brightness control.

One-piece composite trims provide a clean, minimal appearance from below. Compression spring retention holds trims tight to the ceiling while allowing easy relamping.

Companion wallwash luminaires feature a high-performance reflector to distribute light smoothly across vertical surfaces; a high-transmission refractive lens enhances uniformity with minimal efficiency loss. The combination of high efficiency optical design and high efficacy light sources ensures responsible energy use.



	LED		Compact Fluorescent		T4/T6 Ceramic Metal Halide		PAR Metal Halide	
								
<b>Downlight</b>	<b>ECSS</b>		<b>SQF</b>		<b>SQTH</b>		<b>SQPH</b>	
	4"	6"	4"	6"	4"	6"	4"	6"
	30W - LED	38W - LED	1/18TRT 1/26TRT 1/32TRT	1/18DTT 1/26DTT 1/26TRT 1/32TRT 1/42TRT	20MHC 39MHC 70MHC	20MHC 39MHC 70MHC 150MHC	39W 70W	39W 70W 100W 150W
			4 Pin Only		G8.5 / G12 Base		PAR20/30	PAR30/38
<b>Wallwash</b>	<b>ECSSW</b>		<b>SQFW</b>		<b>SQDLWTH</b>		<b>SQDLWH</b>	
	4"	6"	4"	6"	4"	6"	4"	6"
	30W - LED	38W - LED	1/18TRT 1/26TRT 1/32TRT	1/18DTT 1/26DTT 1/26TRT 1/32TRT 1/42TRT	20MHC 39MHC 70MHC	20MHC 39MHC 70MHC 150MHC	39W 70W	39W 70W 100W 150W
			4 Pin Only		G8.5 / G12 Base		PAR20/30	PAR30/38
<b>Directional/Accent</b>					<b>SQDTH</b>		<b>SQDPH</b>	
					4"	6"	4"	6"
					20MHC 39MHC 70MHC	20MHC 39MHC 70MHC 150MHC	39W 70W	39W 70W 100W 150W
					G8.5 / G12 Base		PAR20/30	PAR30/38



Gotham Squares are thoughtfully engineered to install perfectly square—and stay that way. Patent-pending alignment tray includes:

1. Installation guides for precision alignment.
2. Keying components to position and lock reflector in place.
3. Lateral adjustment up to 1/4" in any direction and 5° rotation if needed.

MR16 Metal Halide	ED17 Metal Halide		MR16 Halogen Low Voltage	PAR Incandescent		Incandescent (A Lamp)	
							
<b>SQDMRH DWN</b>	<b>SQHZ</b>		<b>SQDLV DWN</b>	<b>SQP</b>		<b>SQAZ</b>	
4"	4"	6"	4"	4"	6"	4"	6"
20W 39W	50W 70W	50W 70W 100W	Up to 75W	75W Max	150W Max	100W Max	150W Max
GX10 Base	Medium Base		GU5.3 Base	PAR16-30S	PAR16-30S PAR30L-38		
<b>SQDMRH WSH</b>	<b>SQHZW</b>		<b>SQDLV WSH</b>	<b>SQDLW</b>		<b>SQAZW</b>	
4"	4"	6"	4"	4"	6"	4"	6"
20W 39W	50W 70W	50W 70W 100W	Up to 75W	75W Max	150W Max	100W Max	150W Max
GX10 Base	Medium Base		GU5.3 Base	PAR16-30S	PAR16-30S PAR30L-38		
<b>SQDMRH ADJ</b>			<b>SQDLV ADJ</b>	<b>SQDP</b>			
4"			4"	4"	6"		
20W 39W			Up to 75W	75W Max	150W Max		
GX10 Base			GU5.3 Base	PAR16-30S	PAR16-30S PAR30L-38		



Quiet ceilings have always been a hallmark of Gotham recessed downlighting. To ensure architects and designers continuity of installed appearance across the ceiling, Gotham Squares are engineered for perfect alignment.





**Metal Halide cont.**

Series	Lamp Type	Wattage	Aperture/Trim style			Distribution		Finish		Voltage	Options	
SQTH	T4T <sup>6</sup>	20MHC	4	AR	Clear	N	Narrow	LD	Matte-diffuse	120	LRC <sup>5</sup>	Provides compatibility with Lithonia Reloc® System. Access above ceiling required. QRS Quartz restrike system (uses 100W max. DC base quartz lamp by others) QRSTD Quartz restrike system with time delay EC Emergency circuit SF Single fuse CP Chicago plenum TRW White flange L/LP Less lamp MFLG Microflange trim SQMT <sup>10</sup> Square metal trim
	T4 <sup>7</sup>	39MHC	6	DSR	Stepped	M	Medium	(blank) <sup>12</sup>	Semi-specular	277	QRS	
	T6 <sup>9</sup>	70MHC		PR	Pewter	W	Wide			347	QRSTD	
		150MHC <sup>2</sup>		WTR	Wheat						EC	
				PDSR	Pewter Stepped						SF	
				WDSR	Wheat Stepped						CP	

Series	Lamp Type	Wattage	Aperture/Trim style			Distribution		Finish		Voltage	Options	
SQDTH	T4T <sup>6</sup>	20MHC	4	AR	Clear	N	Narrow	LD	Matte-diffuse	120	LRC <sup>5</sup>	Provides compatibility with Lithonia Reloc® System. Access above ceiling required. QRS Quartz restrike system (uses 100W max. DC base quartz lamp by others) QRSTD Quartz restrike system with time delay EC Emergency circuit SF Single fuse CP Chicago plenum TRW White flange L/LP Less lamp MFLG Microflange trim SQMT <sup>10</sup> Square metal trim
	T4 <sup>7</sup>	39MHC	6	DSR	Stepped	M	Medium	(blank) <sup>12</sup>	Semi-specular	277	QRS	
	T6 <sup>9</sup>	70MHC		PR	Pewter	W	Wide			347	QRSTD	
		150MHC <sup>2</sup>		WTR	Wheat						EC	
				PDSR	Pewter Stepped						SF	
				WDSR	Wheat Stepped						CP	

Series	Lamp Type	Wattage	Aperture/Trim style			Distribution		Finish		Voltage	Options	
SQDLWTH	T4T <sup>6</sup>	20MHC	4	AR	Clear	N	Narrow	LD	Matte-diffuse	120	LRC <sup>5</sup>	Provides compatibility with Lithonia Reloc® System. Access above ceiling required. QRS Quartz restrike system (uses 100W max. DC base quartz lamp by others) QRSTD Quartz restrike system with time delay EC Emergency circuit SF Single fuse CP Chicago plenum TRW White flange L/LP Less lamp MFLG Microflange trim SQMT <sup>10</sup> Square metal trim
	T4 <sup>7</sup>	39MHC	6	DSR	Stepped	M	Medium	(blank) <sup>12</sup>	Semi-specular	277	QRS	
	T6 <sup>9</sup>	70MHC		PR	Pewter	W	Wide			347	QRSTD	
		150MHC <sup>2</sup>		WTR	Wheat						EC	
				PDSR	Pewter Stepped						SF	
				WDSR	Wheat Stepped						CP	

Series	Lamp Type	Wattage	Aperture/Trim style			Distribution		Finish		Voltage	Ballast	Options	
SQPH	P3870M <sup>2</sup>	4	AR	Clear	LD	Matte-diffuse	120	(blank)	Electronic ballast	LRC <sup>5</sup>	Provides compatibility with Lithonia Reloc® System. Access above ceiling required. QRS Quartz restrike system (uses 100W max. DC base quartz lamp by others) QRSTD Quartz restrike system with time delay EC Emergency circuit SF Single fuse CP Chicago plenum TRW White flange L/LP Less lamp MFLG Microflange trim SQMT <sup>10</sup> Square metal trim		
	P38100M <sup>2</sup>	6	DSR	Stepped	(blank) <sup>12</sup>	Semi-specular	277	EMB	Electromagnetic ballast	QRS			
	P38150M <sup>2</sup>		PR	Pewter			347			QRSTD			
	P2039MHC <sup>9</sup>		WTR	Wheat						EC			
	P3039MHC <sup>9</sup>		PDSR	Pewter Stepped						SF			
	P3070MHC <sup>9</sup>		WDSR	Wheat Stepped						CP			

Series	Lamp Type	Wattage	Aperture/Trim style			Distribution		Finish		Voltage	Options	
SQDPH	P3870M <sup>2</sup>	4	AR	Clear	LD	Matte-diffuse	120	(blank)	Electronic ballast	LRC <sup>5</sup>	Provides compatibility with Lithonia Reloc® System. Access above ceiling required. QRS Quartz restrike system (uses 100W max. DC base quartz lamp by others) QRSTD Quartz restrike system with time delay EC Emergency circuit SF Single fuse CP Chicago plenum TRW White flange MFLG Microflange trim SQMT <sup>10,11</sup> Square metal trim	
	P38100M <sup>2</sup>	6	DSR	Stepped	(blank) <sup>12</sup>	Semi-specular	277	EMB	Electromagnetic ballast	QRS		
	P38150M <sup>2</sup>		PR	Pewter			347			QRSTD		
	P2039MHC <sup>9</sup>		WTR	Wheat						EC		
	P3039MHC <sup>9</sup>		PDSR	Pewter Stepped						SF		
	P3070MHC <sup>9</sup>		WDSR	Wheat Stepped						CP		

- NOTES**
1. Recommended for use with coated lamps.
  2. Available with 6" aperture only.
  3. Available with SQH2 series only.
  4. Available with 70W electromagnetic ballast only.
  5. For compatible Reloc systems, refer to Technical Bulletins tab.
  6. Philips Mini MasterColor available in 20W, 39W and 120W only.
  7. Available in 20W, 39W and 70W only.
  8. Available in 39W, 70W and 150W only.
  9. Ceramic arc tube consistent-color lamp. Philips MasterColor, Osram Sylvania Powerball or GE ConstantColor.
  10. Not available with stepped trims.
  11. Metal trim standard with 6" aperture.
  12. Only available with SQMT option.

Series	Lamp Type	Wattage	Aperture/Trim style			Distribution		Finish		Voltage	Options	
SQDLWH	P3870M <sup>2</sup>	4	AR	Clear	LD	Matte-diffuse	120	(blank)	Electronic ballast	LRC <sup>5</sup>	Provides compatibility with Lithonia Reloc® System. Access above ceiling required. QRS Quartz restrike system (uses 100W max. DC base quartz lamp by others) QRSTD Quartz restrike system with time delay EC Emergency circuit SF Single fuse CP Chicago plenum TRW White flange MFLG Microflange trim SQMT <sup>10</sup> Square metal trim	
	P38100M <sup>2</sup>	6	DSR	Stepped	(blank) <sup>12</sup>	Semi-specular	277	EMB	Electromagnetic ballast	QRS		
	P38150M <sup>2</sup>		PR	Pewter			347			QRSTD		
	P2039MHC <sup>9</sup>		WTR	Wheat						EC		
	P3039MHC <sup>9</sup>		PDSR	Pewter Stepped						SF		
	P3070MHC <sup>9</sup>		WDSR	Wheat Stepped						CP		

Series	Configuration	Lamp Designation	Lamp Wattage	Aperture/Trim style			Distribution		Finish		Voltage	Options	
SQDMRH	ADJ	MR16	20MHC	4	AR	Clear	N	Narrow	LD	Matte-diffuse	120	LRC <sup>5</sup>	Provides compatibility with Lithonia Reloc® System. Access above ceiling required. SF Single fuse CP Chicago plenum LPFL Lamped, flood LPSP Lamped, spot LPWFL Lamped, wide flood TRW White flange MFLG Microflange trim SQMT <sup>10</sup> Square metal trim
	DWN		39MHC		DSR	Stepped	M	Medium	(blank) <sup>12</sup>	Semi-specular	277	SF	
	WSH				PR	Pewter	W	Wide			347	CP	
					WTR	Wheat						LPFL	
					PDSR	Pewter Stepped						LPSP	
					WDSR	Wheat Stepped						LPWFL	



GOTHAM ARCHITECTURAL LIGHTING  
 A DIVISION OF ACUITY BRANDS LIGHTING, INC.  
 1400 Lester Road, Conyers, Georgia 30012  
 www.gothamlighting.com  
 An Acuity Brands Company