

FEATURES

OPTICAL SYSTEM

- Self-flanged semi-specular, matte-diffuse or specular reflector. Patented Bounding Ray™ Optical Principle design (U.S. Patent No. 5,800,050) provides lamp before lamp image and smooth transition from top of reflector to bottom.
- Marine-grade die-cast aluminum bezel, low copper alloy (<1% copper). Matte white (DWHG) standard. Stainless steel Torx® T20 tamper-resistant screws.
- Perimeter lens gasket is one-piece closed-cell silicone "O" ring. Perimeter ceiling gasket is closed-cell silicone that seals bezel to ceiling.

MECHANICAL SYSTEM

- 16-gauge galvanized steel mounting/plaster frame with friction support springs to retain optical system. Maximum 7/8" thick ceiling standard.
- 16-gauge galvanized steel mounting bars with continuous 4" vertical adjustment are shipped pre-installed. Post-installation adjustment possible without the use of tools from above or below ceiling.
- Galvanized steel junction box with hinged access covers and spring latch. Two combination 1/2"-3/4" and two 1/2" knockouts for straight-through conduit runs. Capacity: 8 (4 in, 4 out) No. 12 AWG conductors rated for 90°C.

ELECTRICAL SYSTEM

- Die-cast aluminum lampholder housing.
- Medium-base porcelain socket with nickel-plated screw shell.
- Thermally-activated insulation detector.

LISTING

- Fixtures are UL Listed for thru-branch wiring, non-IC recessed mounting and wet locations. Listed and labeled to comply with Canadian standards.
- IP55 rating (below the mounting surface) is standard. IP65 rating possible with the use of silicone. Refer to TECH-200 for ingress protection ratings.

WARRANTY

- 1-year limited warranty. Complete warranty terms located at www.acuitybrands.com/CustomerResources/Terms_and_conditions.aspx.

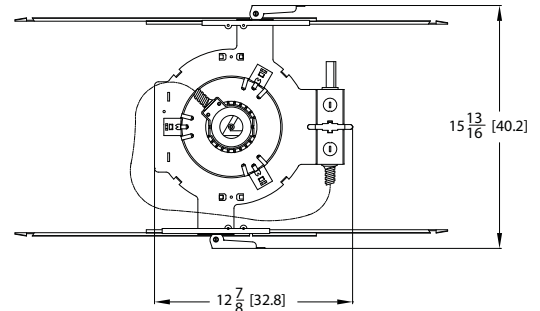
Type Catalog number

Vandal Resistant Incandescent Downlights

6" VRA

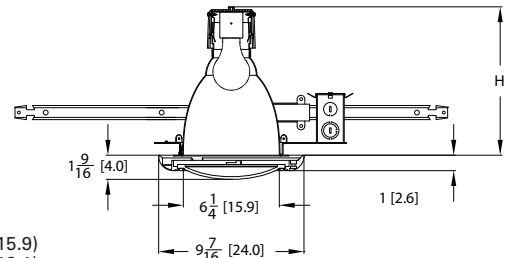
Lightshield™

A19, A21 Lamp



Height Information

A19	A21
8-1/2 (21.6)	9-1/2(24.1)



Aperture: 6-1/4 (15.9)
Ceiling opening: 7-1/8 (18.1)

All dimensions are inches (centimeters).

ORDERING INFORMATION

Example: **VRA 6AR T73 DWHG**

Choose the boldface catalog nomenclature that best suits your needs and write it on the appropriate line. Order accessories as separate catalog numbers (shipped separately).

VRA

Series	Aperture/Trim color	Finish	Lens type	Options
VRA	6AR Clear (blank) Semi-specular	LD Matte-diffuse	CGL ² 1/8" clear glass lens	SDT Stepdown transformer (277V to 120V)
	6PR Pewter LS Specular		T73 ² 3/16" tempered prismatic glass lens	SDT347 Stepdown transformer (347V to 120V; 75W max.)
	6WTR Wheat		FOL ² 1/8" tempered flush opal glass lens	LRC ⁵ Provides compatibility with Lithonia Reloc® System
	6GR Gold		CVX ² 3/16" clear convex glass lens	CP Chicago plenum
	6WR ¹ White painted		PCL ^{3,4} 3/16" clear polycarbonate lenses	WG Zinc-plated wire guard
			PPC ^{3,4} 1/8" prismatic polycarbonate lenses	PCU ⁶ 3/16" clear polycarbonate lens underlay (roomside)
				WRL ⁷ Wattage restriction label
				Architectural Colors - Powder Paint ⁸
				Architectural Colors - Plating
				DWHG Matte white (standard)
				PWR Pewter
				DDB Dark bronze
				SCH Satin chrome
				DBL Black
				DBH Gloss white
				ORB Oil-rubbed bronze
				DMB Medium bronze
				DNA Natural aluminum

NOTES

- 1 Not available with finishes.
- 2 Maximum wattage: 100W A19-IF lamp; 150W A21-IF lamp.
- 3 Maximum wattage: 75W A19-IF or A21-IF lamp.
- 4 Provided standard with clear polycarbonate underlay (2 lenses total).
- 5 For compatible Reloc systems, refer to TECH-110.
- 6 Not available with CVX, PCL or PPC lens.
- 7 Must specify wattage. Ex.: WRL60
- 8 Additional architectural colors available; see www.lithonia.com/archcolors.

6" VRA Lightshield™

Distribution curve	Distribution data	Output data	Coefficient of utilization	ILLUMINANCE DATA at 30" Above Floor for a Single Luminaire
--------------------	-------------------	-------------	----------------------------	--

VRA 6AR (75A19), (1)75W incandescent lamp, 1500 rated lumens, 0.8 s/mh Test No. LTL20590

0° 200 400 600 80° 60° 40° 0°	Ave Lumens		Zone	Lumens	% Lamp	pf	80%			20%			50%			50° beam - 42.1°	10° beam - 76.1°	
	0	748	0° - 30°	398.9	26.6	pc	50%			70%			50%					
							pw	50%	30%	10%	50%	30%	10%	50%	30%			10%
	5	728	67	0° - 40°	520.0	34.7	1	45	45	45	44	44	44	42	42	42		
	15	582	161	0° - 60°	563.6	37.6	2	39	37	36	38	37	36	37	36	35		
	25	372	170	0° - 90°	567.0	37.8	3	36	34	33	36	34	33	35	33	32		
	35	195	121	90° - 180°	0.0	0.0	4	34	32	30	34	32	30	33	31	30		
	45	39	38	0° - 180°	567.0	*37.8	5	32	30	28	31	29	28	31	29	28		
	55	6	5	*Efficiency			6	30	28	26	30	28	26	29	27	26		
	65	2	2				7	28	26	24	28	26	24	27	26	24		
	75	1	1				8	27	24	23	26	24	23	26	24	23		
	85	0	0				9	25	23	21	25	23	21	25	23	21		
	90	0	0				10	24	22	20	24	22	20	23	21	20		

Initial FC		Mounting Center					
Height	Beam	Diameter	FC	Diameter	FC		
8.0	24.7	4.2	12.4	8.6	2.5		
10.0	13.3	5.8	6.6	11.7	1.3		
12.0	8.3	7.3	4.1	14.9	0.8		
14.0	5.7	8.8	2.8	18.0	0.6		
16.0	4.1	10.4	2.1	21.1	0.4		

VRA 6AR (75A19), (1) 75W incandescent lamp, 1500 rated lumens, 0.8 s/mh Test No. LTL20591

0° 200 400 600 80° 60° 40° 0°	Ave Lumens		Zone	Lumens	% Lamp	pf	80%			20%			50%			50° beam - 44.0°	10° beam - 82.1°	
	0	544	0° - 30°	307.8	20.5	pc	50%			70%			50%					
							pw	50%	30%	10%	50%	30%	10%	50%	30%			10%
	5	531	49	0° - 40°	422.9	28.2	1	41	40	39	40	39	38	38	38	37		
	15	432	120	0° - 60°	537.1	35.8	2	37	35	34	37	35	34	35	34	33		
	25	302	138	0° - 90°	560.3	37.4	3	34	32	30	34	32	30	33	31	29		
	35	184	115	90° - 180°	0.0	0.0	4	31	29	27	31	29	27	30	28	27		
	45	96	75	0° - 180°	560.3	*37.4	5	29	26	25	29	26	24	28	26	24		
	55	43	39	*Efficiency			6	27	24	22	27	24	22	26	24	22		
	65	16	16				7	25	22	21	25	22	21	24	22	20		
	75	5	6				8	23	21	19	23	21	19	23	20	19		
	85	1	1				9	22	19	18	22	19	18	21	19	18		
	90	0	0				10	21	18	16	20	18	16	20	18	16		

Initial FC		Mounting Center					
Height	Beam	Diameter	FC	Diameter	FC		
8.0	18.0	4.4	9.0	9.6	1.8		
10.0	9.7	6.1	4.8	13.1	1.0		
12.0	6.0	7.7	3.0	16.5	0.6		
14.0	4.1	9.3	2.1	20.0	0.4		
16.0	3.0	10.9	1.5	23.5	0.3		

NOTES:

- For electrical characteristics, refer to Technical Bulletins tab.
- Tested to current IES and NEMA standards under stabilized laboratory conditions. Various operating factors can cause differences between laboratory data and actual field measurements. Dimensions and specifications are based on the most current available data and are subject to change without notice.
- Consult factory or IES file for microgroove baffle, black cone and other photometric reports.
- Actual performance may differ as a result of end-user environment and application.

VINC-140

©2012 Acuity Brands Lighting, Inc.
All Rights Reserved. Rev. 01/12

gotham
An Acuity Brands Company

GOTHAM ARCHITECTURAL DOWNLIGHTING
A DIVISION OF ACUITY LIGHTING GROUP, INC.
1400 Lester Road Conyers Georgia 30012
P 800 315 4982 F 770 860 3129
www.gothamlighting.com