



Gotham Architectural Downlighting
Vandal Resistant Incandescent Downlights

6" VRA
Lightshield™

A19, A21 Lamp

FEATURES

OPTICAL SYSTEM

- Self-flanged semi-specular, matte-diffuse or specular reflector. Patented Bound-ing Ray™ Optical Principle design (U.S. Patent No. 5,800,050) provides lamp before lamp image and smooth transition from top of reflector to bottom.
- Marine-grade die-cast aluminum bezel, low copper alloy (<1% copper). Matte white (DWHG) standard. Stainless steel Torx® T20 tamper-resistant screws.
- Perimeter lens gasket is one-piece closed-cell silicone "O" ring. Perimeter ceiling gasket is closed-cell silicone that seals bezel to ceiling.

MECHANICAL SYSTEM

- 16-gauge galvanized steel mounting/plaster frame with friction support springs to retain optical system. Maximum 7/8" thick ceiling standard.
- 16-gauge galvanized steel mounting bars with continuous 4" vertical adjust-ment are shipped pre-installed. Post-installation adjustment possible without the use of tools from above or below ceiling.
- Galvanized steel junction box with hinged access covers and spring latch. Two combination 1/2"-3/4" and two 1/2" knockouts for straight-through conduit runs. Capacity: 8 (4 in, 4 out) No. 12 AWG conductors rated for 90°C.

ELECTRICAL SYSTEM

- Die-cast aluminum lampholder housing.
- Medium-base porcelain socket with nickel-plated screw shell.
- Thermally-activated insulation detector.

LISTING

- Fixtures are UL Listed for thru-branch wiring, non-IC recessed mounting and wet locations. Listed and labeled to comply with Canadian standards.
- IP55 rating (below the mounting surface) is standard. IP65 rating possible with the use of silicone.

WARRANTY

- 1-year limited warranty. Complete warranty terms located at: www.acuitybrands.com/CustomerResources/Terms_and_conditions.aspx

ORDERING INFORMATION

EXAMPLE: VRA 6AR T73 DWHG

Series	Aperture/Trim color	Finish	Lens type	Options	
VRA	6AR Clear	(blank) Semi-specular	CGL ² 1/8" clear glass lens	SDT Stepdown transformer (277V to 120V)	
	6PR Pewter	LD Matte-diffuse	T73 ² 3/16" tempered prismatic glass lens	SDT347 Stepdown transformer (347V to 120V; 75W max.)	
	6WTR Wheat		FOL ² 1/8" tempered flush opal glass lens	RRL ⁵ RELOC®-ready luminaire. Pro-vides compatibility with Lithonia RELOC system. Access above ceiling required.	
	6GR Gold	LS Specular	CVX ² 3/16" clear convex glass lens		CP Chicago plenum
	6WR ¹ White painted		PCL ^{3,4} 3/16" clear polycar-bonate lenses		WG Zinc-plated wire guard
			PPC ^{3,4} 1/8" prismatic poly-carbonate lenses	PCU ⁶ 3/16" clear polycarbonate lens underlay (roomside)	
				WRL ⁷ Wattage restriction label	
				Architectural Colors - Powder Paint ⁸	
				DWHG Matte white (standard)	
				DDB Dark bronze	
				DBL Black	
				DWH Gloss white	
				DMB Medium bronze	
				DNA Natural aluminum	
				Architectural Colors - Plating	
				PWR Pewter	
				SCH Satin chrome	
				ORB Oil-rubbed bronze	

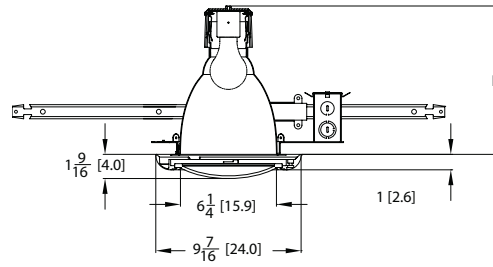
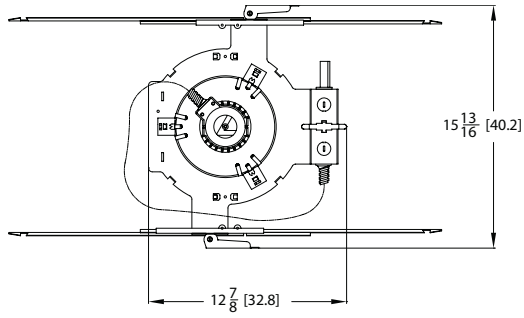
NOTES

ORDERING NOTES

1. Not available with finishes.
2. Maximum wattage: 100W A19-IF lamp; 150W A21-IF lamp.
3. Maximum wattage: 75W A19-IF or A21-IF lamp.
4. Provided standard with clear polycarbonate underlay (2 lenses total).
5. For compatible RELOC systems, refer to TECH-110.
6. Not available with CVX, PCL or PPC lens.
7. Must specify wattage. Ex.: WRL60
8. Additional architectural colors available; see www.lithonia.com/archcolors.

DIMENSIONAL DATA

All dimensions are inches (centimeters) unless otherwise noted.



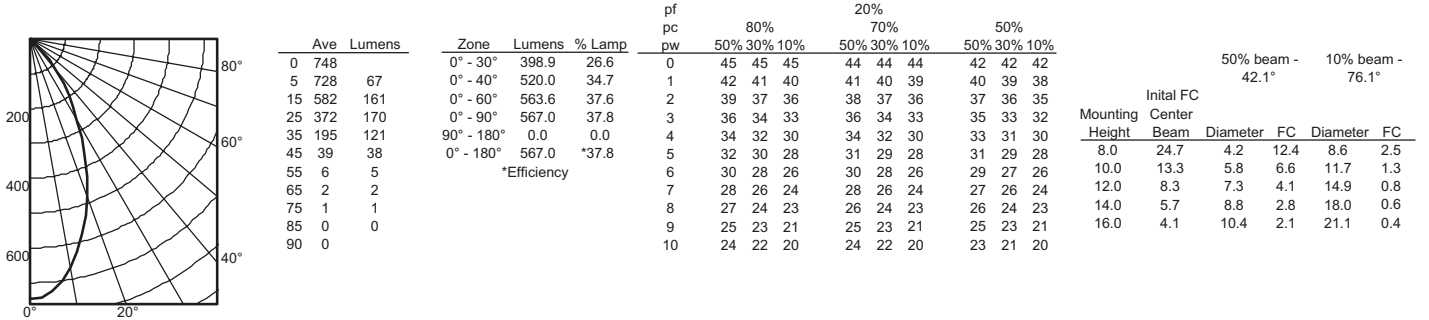
Height information	
A19	A21
8-1/2 (21.6)	9-1/2 (24.1)

Aperture: 6-1/4 (15.9)
 Ceiling opening: 7-1/8 (18.1)

Distribution Curve Distribution Data Output Data Coefficient of Utilization Illuminance: Single Luminaire 30" Above Floor

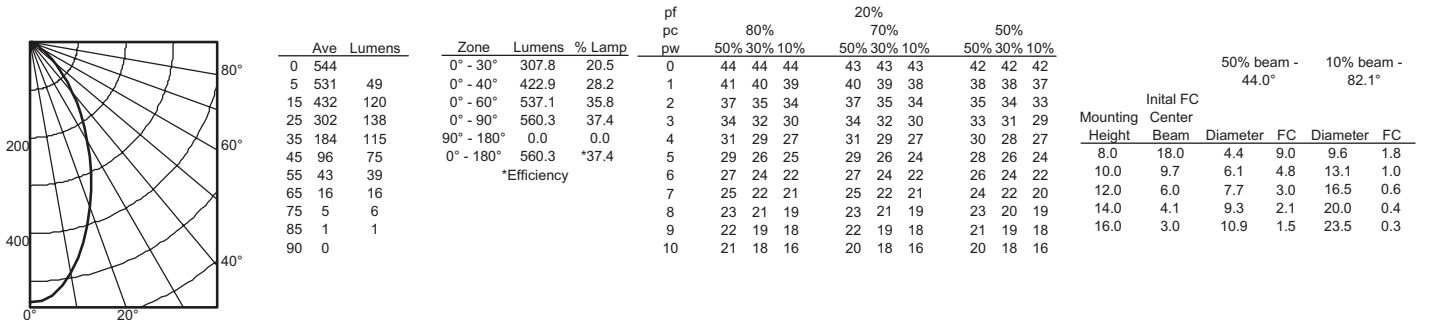
VRA 6AR (75A19)

(1)75W INCANDESCENT LAMP, 1500 RATED LUMENS, 0.8 S/MH TEST NO. LTL20590



VRA 6AR (75A19)

(1) 75W INCANDESCENT LAMP, 1500 RATED LUMENS, 0.8 S/MH TEST NO. LTL20591



PHOTOMETRY NOTES

- Tested to current IES and NEMA standards under stabilized laboratory conditions.
- Actual performance may differ as a result of end-user environment and application.
- Consult factory or IES file for microgroove baffle, black cone or other photometric reports.