



Gotham Architectural Downlighting
Vandal Resistant Incandescent Downlights

8" VRA
Lightshield™

A21, A23 or PS25 Lamp

FEATURES

OPTICAL SYSTEM

- Self-flanged semi-specular, matte-diffuse or specular reflector. Patented Bound-ing Ray™ Optical Principle design (U.S. Patent No. 5,800,050) provides lamp before lamp image and smooth transition from top of reflector to bottom.
- Marine-grade die-cast aluminum bezel, low copper alloy (<1% copper). Matte white (DWHG) standard. Stainless steel Torx® T20 tamper-resistant screws.
- Perimeter lens gasket is one-piece closed-cell silicone "O" ring. Perimeter ceiling gasket is closed-cell silicone that seals bezel to ceiling.

MECHANICAL SYSTEM

- 16-gauge galvanized steel mounting/plaster frame with friction support springs to retain optical system. Maximum 7/8" thick ceiling standard.
- 16-gauge galvanized steel mounting bars with continuous 4" vertical adjust-ment are shipped pre-installed. Post-installation adjustment possible without the use of tools from above or below ceiling.
- Galvanized steel junction box with hinged access covers and spring latch. Two combination 1/2"-3/4" and two 1/2" knockouts for straight-through conduit runs. Capacity: 8 (4 in, 4 out) No. 12 AWG conductors rated for 90°C.

ELECTRICAL SYSTEM

- Die-cast aluminum lampholder housing.
- Medium-base porcelain socket with nickel-plated screw shell.
- Thermally-activated insulation detector.

LISTING

- Fixtures are UL Listed for thru-branch wiring, non-IC recessed mounting and wet locations. Listed and labeled to comply with Canadian standards.
- IP55 rating (below the mounting surface) is standard. IP65 rating possible with the use of silicone.

WARRANTY

- 1-year limited warranty. Complete warranty terms located at: www.acuitybrands.com/CustomerResources/Terms_and_conditions.aspx

ORDERING INFORMATION

EXAMPLE: VRA 8AR T73 DWHG

Series	Aperture/Trim color	Finish	Lens type	Options
VRA	8AR Clear	(blank) Semi-specular	CGL ² 1/8" clear glass lens	SDT Stepdown transformer (277V to 120V)
	8PR Pewter	LD Matte-diffuse	T73 ² 3/16" tempered prismatic glass lens	SDT347 Stepdown transformer (347V to 120V; 75W max.)
	8WTR Wheat		FOL ² 1/8" tempered flush opal glass lens	RRL ⁵ RELOC®-ready luminaire. Pro-vides compatibility with Lithonia RELOC system. Access above ceiling required.
	8GR Gold	LS Specular	CVX ² 3/16" clear convex glass lens	CP Chicago plenum
	8WR ¹ White painted		PCL ^{3,4} 3/16" clear polycar-bonate lenses	WG Zinc-plated wire guard
			PPC ^{3,4} 1/8" prismatic poly-carbonate lenses	PCU ⁶ 3/16" clear polycarbonate lens underlay (roomside)
				WRL ⁷ Wattage restriction label
				Architectural Colors - Powder Paint ⁸
				DWHG Matte white (standard)
				DDB Dark bronze
				DBL Black
				DWH Gloss white
				DMB Medium bronze
				DNA Natural aluminum
				Architectural Colors - Plating
				PWR Pewter
				SCH Satin chrome
				ORB Oil-rubbed bronze

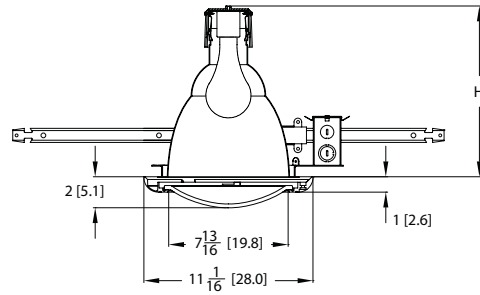
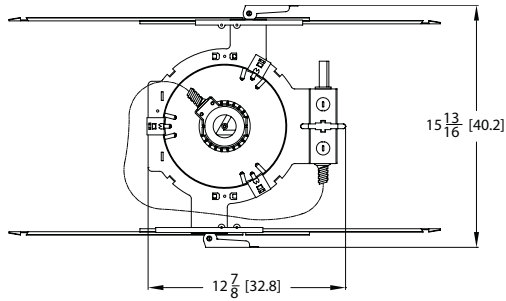
NOTES

ORDERING NOTES

1. Not available with finishes.
2. Maximum wattage: 150W A21-IF lamp, 200W A23-IF or 300W PS25-IF lamp.
3. Maximum wattage: 100W A21-IF lamp or 100W A23-IF lamp.
4. Provided standard with clear polycarbonate underlay (2 lenses total).
5. For compatible Reloc systems, refer to [TECH-110](#).
6. Not available with CVX, PCL or PPC lens.
7. Must specify wattage. Ex.: WRL60
8. Additional architectural colors available; see www.lithonia.com/archcolors.

DIMENSIONAL DATA

All dimensions are inches (centimeters) unless otherwise noted.



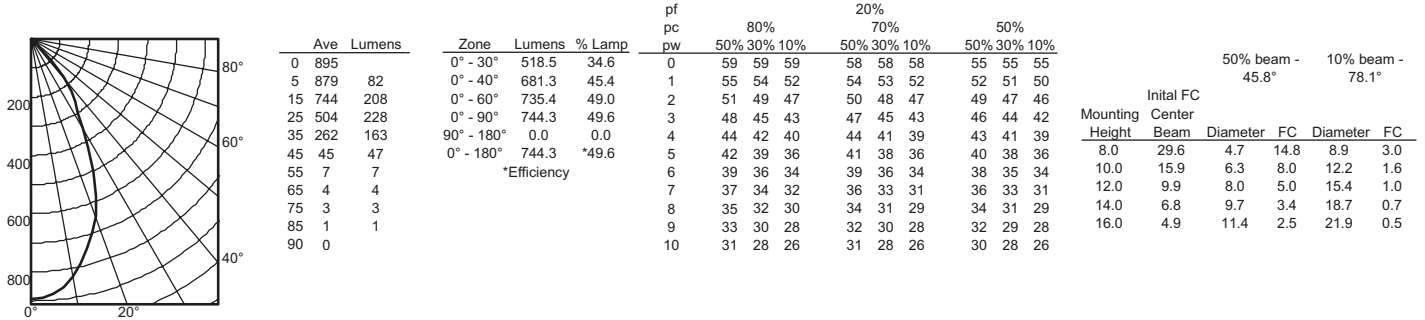
Aperture: 7-7/8 (20.1)
 Ceiling opening: 8-7/8 (22.5)

Height information			
Wattage	150W A21	200W A23	300W PS25
A8	10-1/8 (25.7)	11-1/8 (28.3)	11-3/4 (29.8)
A8 MB/BC	9-3/4 (24.78)	10-3/4 (27.27)	11-5/16 (28.79)

Distribution Curve Distribution Data Output Data Coefficient of Utilization Illuminance: Single Luminaire 30" Above Floor

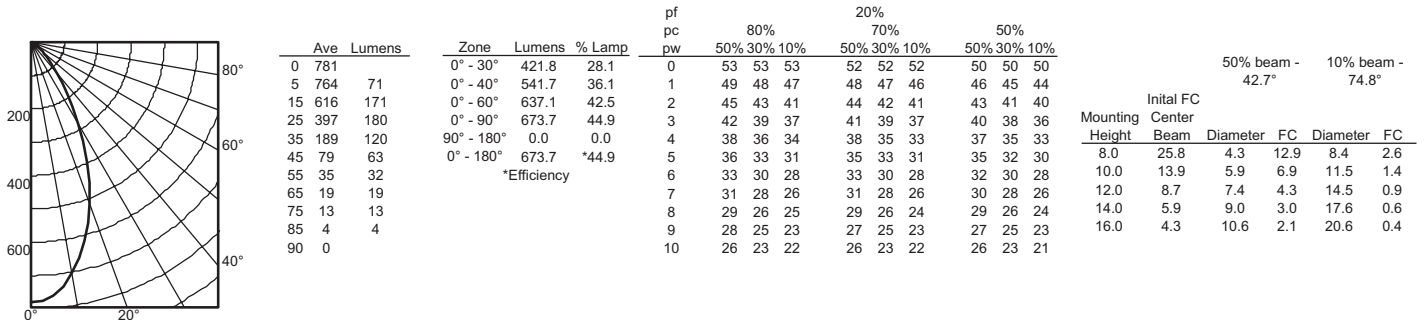
VRA 8AR CGL (100A21)

(1)100W INCANDESCENT LAMP, 1500 RATED LUMENS, 0.8 S/MH TEST NO. LTL20743



VRA 8AR T73 (100A21)

(1) 100W INCANDESCENT LAMP, 1500 RATED LUMENS, 0.8 S/MH TEST NO. LTL20744



PHOTOMETRY NOTES

- Tested to current IES and NEMA standards under stabilized laboratory conditions.
- Actual performance may differ as a result of end-user environment and application.
- Consult factory or IES file for microgroove baffle, black cone or other photometric reports.