



Gotham Architectural Downlighting
Vandal Resistant Compact Fluorescent Downlights

8" VRAFLP
Lightshield™, Low Profile

Horizontal Double Twin-Tube or
Triple-Tube Lamp

FEATURES

OPTICAL SYSTEM

- Self-flanged semi-specular or matte-diffuse reflector. Fluted vertical upper section works in conjunction with Patented Bounding Ray™ Optical Principle design (U.S. Patent No. 5,800,050) to provide lamp before lamp image and smooth transition from top of reflector to bottom.
- Hinged lampdoor seals upper trim for optimal fixture efficiency and the reduction of stray light in the plenum.
- Marine-grade die-cast aluminum bezel, low copper alloy (<1% copper). Matte white (DWHG) standard. Stainless steel Torx® T20 tamper-resistant screws.
- Perimeter lens gasket is one-piece closed-cell silicone "O" ring. Perimeter ceiling gasket is closed-cell silicone that seals bezel to ceiling.

MECHANICAL SYSTEM

- 16-gauge galvanized steel mounting/plaster frame with integral yoke to retain optical system. Maximum 7/8" ceiling thickness.
- 16-gauge galvanized steel mounting bars with continuous 4" vertical adjustment are shipped pre-installed. Post-installation adjustment possible without the use of tools from above or below the ceiling.

- Galvanized steel junction box with hinged access covers and spring latch. Two combination 1/2"-3/4" and three 1/2" knockouts for straight-through conduit runs. Capacity: 8 (4 in, 4 out) No. 12 AWG conductors, rated for 90°C.
- Low-profile design allows for 4-3/8" fixture depth above ceiling.

ELECTRICAL SYSTEM

- Horizontally-mounted, positive-latch, thermoplastic socket.
- Class P, thermally protected, high-power-factor electronic ballast mounted to the junction box.
- SIMPLY5™ technology available. **SIMPLY5™** LIGHTING INTELLIGENCE

LISTING

- Fixtures are UL Listed for thru-branch wiring, non-IC recessed mounting and wet locations. Listed and labeled to comply with Canadian standards.
- IP55 rating (below the mounting surface) is standard. IP65 rating possible with the use of silicone.

WARRANTY

- 1-year limited warranty. Complete warranty terms located at: www.acuitybrands.com/CustomerResources/Terms_and_conditions.aspx

EXAMPLE: VRAFLP 1/26TRT 8AR CGL MVOLT DWHG

Series	Wattage/Lamp	Aperture/Trim color	Finish	Lens type	Voltage	Ballast ⁴
VRAFLP	1/13DTT 2/13DTT	8AR Clear	(blank) Semi-specular	CGL 1/8" clear glass lens	MVOLT ³	(blank) Electronic ballast
	1/18DTT 2/18DTT	8PR Pewter	LD	T73 3/16" tempered prismatic glass lens	120	ECOS ^{3,5} EcoSystem® electronic dimming ballast. Minimum dimming level 5%.
	1/26DTT 2/26DTT	8WTR Wheat	LD	FOL 1/8" tempered flush opal glass lens	277	ADEZ ^{5,6} Advance Mark 10® electronic dimming ballast. Minimum dimming level 5%
	1/13TRT 2/13TRT	8WR ¹ White painted	LD	CVX 3/16" clear convex glass lens	347	S5 ⁷ SIMPLY5™ system ballast
	1/18TRT 2/18TRT			PCL ² 3/16" clear polycarbonate lenses		
	1/26TRT 2/26TRT			PPC ² 1/8" prismatic polycarbonate lenses		
	1/32TRT 2/32TRT					
	1/42TRT 2/42TRT					

Options

ELR ^{6,8}	Emergency battery pack. Remote test switch	WG	Zinc-plated wire guard	<u>Architectural Colors - Plating</u>	
ELRHL ^{6,8}	High lumen output emergency battery pack. Remote test switch provided	PCU ¹¹	3/16" clear polycarbonate lens underlay (roomside)	PWR	Pewter
GMF ⁶	Single, slow-blow fuse	WRL ¹²	Wattage restriction label	SCH	Satin chrome
GLR ⁶	Single, fast-blow fuse	<u>Architectural Colors - Powder Paint¹³</u>		ORB	Oil-rubbed bronze
WLP	With 3500 K lamp (shipped separately)	DWHG	Matte white (standard)		
DS	Dual switching	DDB	Dark bronze		
CP ⁹	Chicago plenum	DBL	Black		
BDP ^{9,10}	Ballast disconnect plug	DWH	Gloss white		
HW	Hardwire for S5 system; replaces RELOC	DMB	Medium bronze		
NEPP	Interface for Sensor Switch® nLight® network with integral power supply. Refer to TN-623-01 .	DNA	Natural aluminum		

ORDERING INFORMATION

8" VRAFLP

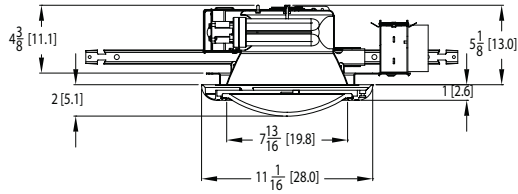
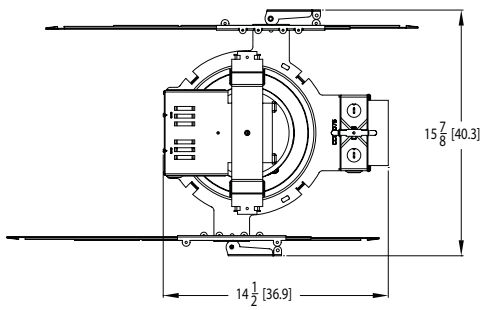
Lightshield™, Low Profile

Horizontal Double Twin-Tube or Triple-Tube Lamp



DIMENSIONAL DATA

All dimensions are inches (centimeters) unless otherwise noted.



Aperture: 7-7/8 (20.1)

Ceiling Opening: 8-7/8 (22.5)

NOTES

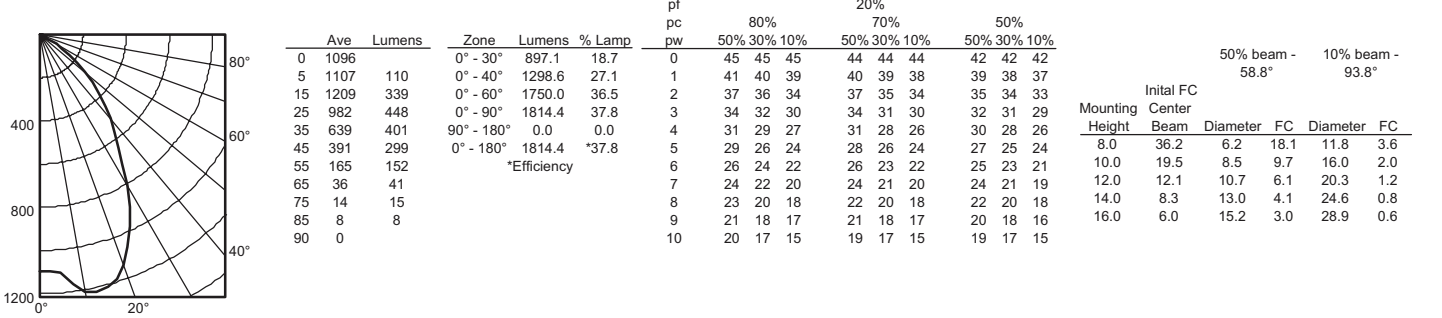
ORDERING NOTES

1. Not available with finishes.
2. Provided standard with clear polycarbonate underlay (2 lenses total).
3. Multi-volt electronic ballast capable of operating on any voltage from 120V through 277V, 50 or 60 Hz.
4. For additional ballast types, refer to [TECH-250](#).
5. Not available with 13W.
6. Available in 120V or 277V only.
7. SIMPLY5™ includes 9' S5 MLC RELOC wiring system (shipped separately). Available in 120V or 277V only. Not available in 13W or 18W. See www.simply5.net for more information.
8. For dimensional changes, refer to [TECH-140](#).
9. Not available with ELR or ELRHL option.
10. Meets codes that require in-fixture disconnect.
11. Not available with CVX, PCL or PPC lens.
12. Must specify wattage. Ex.: WRL32
13. Additional architectural colors available; see www.lithonia.com/archcolors.

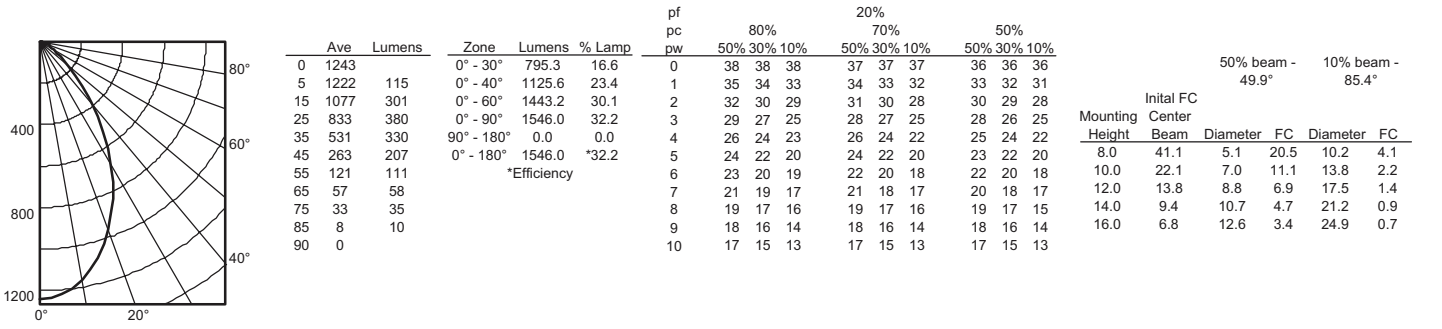


Distribution Curve Distribution Data Output Data Coefficient of Utilization Illuminance: Single Luminaire 30" Above Floor

VRAFLP 32TRT 8AR CGL (2) 32W LAMPS, 2400 RATED LUMENS, 1.1 S/MH TEST NO. LTL20610



VRAFLP 32TRT 8AR T73 (2) 32W LAMPS, 2400 RATED LUMENS, 0.9 S/MH TEST NO. LTL20611



PHOTOMETRY NOTES

- Tested to current IES and NEMA standards under stabilized laboratory conditions.
- Actual performance may differ as a result of end-user environment and application.
- Consult factory or IES file for microgroove baffle, black cone or other photometric reports.