

Gotham Architectural Downlighting
Incandescent Downlights

4" APR
Open Reflector

PAR20 Lamp 50-Watt Max

FEATURES

OPTICAL SYSTEM

- Self-flanged semi-specular, matte-diffuse or specular reflector. Patented Bound-ing Ray™ Optical Principle design (U.S. Patent No. 5,800,050).
- Integrated snoot and optical system minimizes lamp striations normally associ-ated with PAR lamps and creates visually pleasing scallops on vertical surfaces.

MECHANICAL SYSTEM

- 16-gauge galvanized steel construction; maximum 1-5/8" ceiling thickness.
- Telescopic mounting bars maximum of 32" and minimum of 15", preinstalled, 4" vertical adjustment.
- Toolless post-installation adjustments.
- Junction box capacity: 8 (4 in, 4 out) 12AWG rated for 90°C.

ELECTRICAL SYSTEM

- Die-cast aluminum lampholder housing.
- Medium-base porcelain socket with nickel-plated screw shell.
- Thermally activated insulation detector.

LISTING

- Fixtures are UL Listed for thru-branch wiring, non-IC recessed mounting and damp locations. Listed and labeled to comply with Canadian standards.

WARRANTY

- 1-year limited warranty. Complete warranty terms located at www.acuitybrands.com/CustomerResources/Terms_and_conditions.aspx

ORDERING INFORMATION

EXAMPLE: APR PAR20 4AR

Series	Lamp designation	Aperture/Trim color	Finish	Options
APR	PAR20 PAR20 (50W max.)	4AR Clear 4BR¹ Black 4PR Pewter 4WTR Wheat 4GR Gold 4WR¹ White painted	(blank) Semi-specular LD Matte-diffuse LS Specular	SDT² 277V to 120V stepdown transformer SDT347² 347V to 120V stepdown transformer SF² Single fuse TRW White painted flange TRBL Black painted flange GSKT Foam gasketing RRL³ RELOC® ready luminaire. Provides compatibility with Lithonia RELOC system. Access above ceiling required. CP Chicago plenum WRL⁴ Wattage restriction label

ACCESSORIES order as separate catalog numbers (shipped separately)

SCA4 Sloped ceiling adapter. Degree of slope must be specified (10D, 15D, 20D, 25D, 30D). Ex: SCA4 10D.

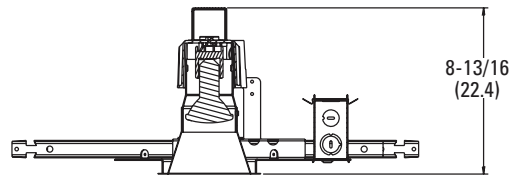
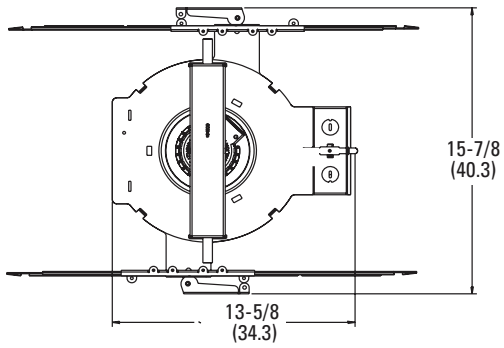
NOTES

ORDERING NOTES

1. Not available with finishes.
2. Single fuse standard when SDT or SDT347 options are ordered.
3. For compatible RELOC systems, refer to [TECH-110](#).
4. Must specify wattage. EX.:WRL35

DIMENSIONAL DATA

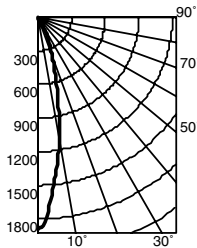
All dimensions are inches (centimeters) unless otherwise noted.



- Aperture: 4-5/16 (10.9)
- Ceiling Opening: 5-1/16 (12.9)
- Overlap Trim: 5-7/16 (13.8)

Distribution Curve Distribution Data Output Data Coefficient of Utilization Illuminance: Single Luminaire 30" Above Floor

APR PAR20 4AR 50W PAR20/CAP/NFL(30) LAMP, 0.4 SPACING CRITERIA, 530 RATED LUMENS, TEST NO. LTL12823

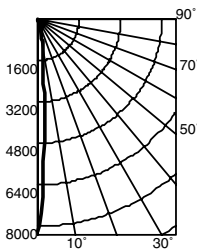


cp	Lumens	Zone	Lumens % Lamp
0°	1886	0° - 30°	411 77.5
5°	1545	0° - 40°	427 80.6
15°	659	0° - 60°	429 80.9
25°	198	0° - 90°	429 80.9
35°	21	90° - 180°	0 0.0
45°	2	0° - 180°	429 *80.9
55°	0		
65°	0		
75°	0		
85°	0		
90°	0		

pf	20%			
	80%	70%	50%	
pc	80%	70%	50%	
pw	50%	30%	50%	30%
	50%	30%	50%	30%
0	96	96	94	94
1	91	90	90	88
2	87	84	85	83
3	83	80	82	79
4	80	76	79	76
5	76	73	76	73
6	74	70	73	70
7	71	68	71	67
8	69	65	68	65
9	66	63	66	63
10	64	61	64	61

Initial FC		50% beam - 22.3'		10% beam - 47.4'	
Mounting Height	Center Beam Diameter	FC Diameter	FC	Diameter	FC
8	62.3	2.2	31.2	4.8	6.2
10	33.5	3.0	16.8	6.6	3.4
12	20.9	3.7	10.4	8.3	2.1
14	14.3	4.5	7.1	10.1	1.4
16	10.3	5.3	5.2	11.9	1.0

APR PAR20 4AR 50W PAR20/SP-10° LAMP, 0.1 SPACING CRITERIA, 570 RATED LUMENS, TEST NO. LTL12908



cp	Lumens	Zone	Lumens % Lamp
0°	8161	0° - 30°	428 75.1
5°	2823	0° - 40°	438 76.8
15°	508	0° - 60°	440 77.3
25°	107	0° - 90°	441 77.3
35°	13	90° - 180°	0 0.0
45°	3	0° - 180°	441 *77.3
55°	0		
65°	0		
75°	0		
85°	0		
90°	0		

pf	20%			
	80%	70%	50%	
pc	80%	70%	50%	
pw	50%	30%	50%	30%
	50%	30%	50%	30%
0	92	92	90	86
1	88	86	86	85
2	84	82	83	81
3	81	79	80	78
4	79	76	78	75
5	76	74	76	73
6	74	71	74	71
7	72	70	72	69
8	71	68	70	67
9	69	67	69	66
10	68	65	68	65

Initial FC		50% beam - 7.1'		10% beam - 23.7'	
Mounting Height	Center Beam Diameter	FC Diameter	FC	Diameter	FC
8	269.8	0.7	134.8	2.3	27.0
10	145.1	0.9	72.5	3.1	14.5
12	90.4	1.2	45.2	4.0	9.0
14	61.7	1.4	30.8	4.8	6.2
16	44.8	1.7	22.4	5.7	4.5

PHOTOMETRY NOTES

- Tested to current IES and NEMA standards under stabilized laboratory condition.
- Actual performance may differ as a result of end-user environment and application.
- Consult factory or IES file for microgroove baffle, black cone or other photometric reports.