

Gotham Architectural Downlighting
Incandescent Downlights

4" APR
Open Reflector

PAR30 Lamp 75-Watt Max

FEATURES

OPTICAL SYSTEM

- Self-flanged semi-specular, matte-diffuse or specular reflector. Patented Bound-ing Ray™ Optical Principle design (U.S. Patent No. 5,800,050).
- Integrated snoot and optical system minimizes lamp striations normally associ-ated with PAR lamps and creates visually pleasing scallops on vertical surfaces.

MECHANICAL SYSTEM

- 16-gauge galvanized steel construction; maximum 1-5/8" ceiling thickness.
- Telescopic mounting bars maximum of 32" and minimum of 15", preinstalled, 4" vertical adjustment.
- Toolless post-installation adjustments.
- Junction box capacity: 8 (4 in, 4 out) 12AWG rated for 90°C.

ELECTRICAL SYSTEM

- Die-cast aluminum lampholder housing.
- Medium-base porcelain socket with nickel-plated screw shell.
- Thermally activated insulation detector.

LISTING

- Fixtures are UL Listed for thru-branch wiring, non-IC recessed mounting and damp locations. Listed and labeled to comply with Canadian standards.

WARRANTY

- 1-year limited warranty. Complete warranty terms located at www.acuitybrands.com/CustomerResources/Terms_and_conditions.aspx

ORDERING INFORMATION

EXAMPLE: APR PAR30 4AR

Series	Lamp designation	Aperture/Trim color ¹	Finish	Options
APR	PAR30 PAR30 (75W max.)	4AR Clear 4BR² Black 4PR Pewter 4WTR Wheat 4GR Gold 4WR² White painted	(blank) Semi-specular LD Matte-diffuse LS Specular	SDT³ 277V to 120V stepdown transformer SDT347³ 347V to 120V stepdown transformer SF³ Single fuse TRW White painted flange TRBL Black painted flange GSKT Foam gasketing RRL⁴ RELOC®-ready luminaire. Provides compatibility with Lithonia RELOC system. Access above ceiling required. CP Chicago plenum WRL⁵ Wattage restriction label

ACCESSORIES order as separate catalog numbers (shipped separately)

SCA4 Sloped ceiling adapter. Degree of slope must be specified (10D, 15D, 20D, 25D, 30D). Ex: SCA4 10D.

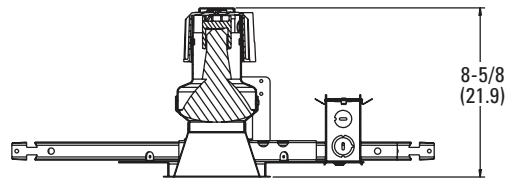
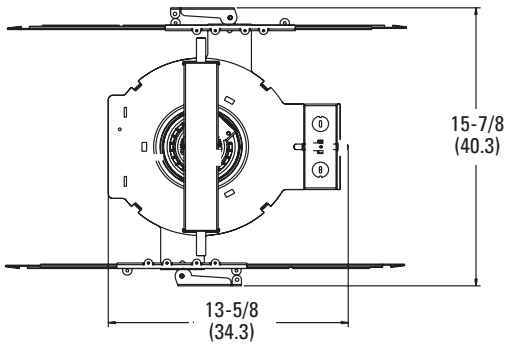
NOTES

ORDERING NOTES

1. Not suitable for pole relamping.
2. Not available with finishes.
3. Single fuse standard when SDT or SDT347 options are ordered.
4. For compatible RELOC systems, refer to [TECH-110](#).
5. Must specify wattage. EX.:WRL40

DIMENSIONAL DATA

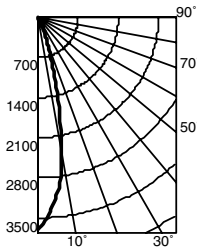
All dimensions are inches (centimeters) unless otherwise noted.



- Aperture: 4-5/16 (10.9)
- Ceiling Opening: 5-1/8 (13.0)
- Overlap Trim: 5-7/16 (13.8)

Distribution Curve Distribution Data Output Data Coefficient of Utilization Illuminance: Single Luminaire 30" Above Floor

APR PAR30 4AR 75W PAR30LN/CAP/SPL/NFL LAMP, 0.4 SPACING CRITERIA, 1130 RATED LUMENS, TEST NO. LTL12859



cp	Lumens	Zone	Lumens	% Lamp	pf	20%						Initial FC						
					pc	80%		70%		50%		50% beam - 23.3'		10% beam - 41.2'				
					pw	50%	30%	50%	30%	50%	30%	Mounting Height	Center Beam	Diameter	FC	Diameter	FC	
0°	3684	0° - 30°	709	62.7	0	76	76	74	74	71	71	8	121.8	2.3	60.9	4.1	12.2	
5°	3233	0° - 40°	721	63.8	1	73	71	71	70	69	68	10	65.5	3.1	32.7	5.6	6.6	
15°	1165	0° - 60°	724	64.1	2	69	68	68	67	66	65	12	40.8	3.9	20.4	7.1	4.1	
25°	186	0° - 90°	724	64.1	3	67	64	66	64	64	63	14	27.9	4.8	13.9	8.6	2.8	
35°	14	90° - 180°	0	0.0	4	64	62	64	61	62	61	16	20.2	5.6	10.1	10.1	2.0	
45°	4	0° - 180°	724	*64.1	5	62	60	62	59	61	59							
55°	0	*Total Efficiency																
65°	0				6	60	58	60	57	59	57							
75°	0				7	58	56	58	56	57	55							
85°	0				8	57	54	57	54	56	54							
90°	0				9	55	53	55	53	55	53							
					10	54	52	54	51	53	51							

PHOTOMETRY NOTES

- Tested to current IES and NEMA standards under stabilized laboratory condition.
- Actual performance may differ as a result of end-user environment and application.
- Consult factory or IES file for microgroove baffle, black cone or other photometric reports.