

Gotham Architectural Downlighting
Incandescent Downlights

6" APR
Open Reflector

PAR30 Lamp 75-Watt Max

FEATURES

OPTICAL SYSTEM

- Self-flanged semi-specular, matte-diffuse or reflector. Patented Bounding Ray™ Optical Principle design (U.S. Patent No. 5,800,050).
- Integrated snoot and optical system minimizes lamp striations normally associated with PAR lamps and creates visually pleasing scallops on vertical surfaces.

MECHANICAL SYSTEM

- 16-gauge galvanized steel construction; maximum 1-5/8" ceiling thickness.
- Telescopic mounting bars maximum of 32" and minimum of 15", preinstalled, 4" vertical adjustment.
- Toolless post-installation adjustments.
- Junction box capacity: 8 (4 in, 4 out) 12AWG rated for 90°C.

ELECTRICAL SYSTEM

- Die-cast aluminum lampholder housing.
- Medium-base porcelain socket with nickel-plated screw shell.
- Thermally activated insulation detector.

LISTING

- Fixtures are UL Listed for thru-branch wiring, non-IC recessed mounting and damp locations. Listed and labeled to comply with Canadian standards.

WARRANTY

- 1-year limited warranty. Complete warranty terms located at www.acuitybrands.com/CustomerResources/Terms_and_conditions.aspx

ORDERING INFORMATION

EXAMPLE: APR PAR30 6AR

Series	Lamp designation	Aperture/Trim color	Finish	Lens type	Options
APR	PAR30 PAR30 (75W max.)	6AR Clear 6BR ¹ Black 6PR Pewter 6WTR Wheat 6GR Gold 6WR ¹ White painted	(blank) Semi-specular LD Matte-diffuse LS Specular	(blank) No lens CGL Clear glass lens T73 Tempered prismatic lens	SDT ² 277V to 120V stepdown transformer SDT347 ² 347V to 120V stepdown transformer SF ² Single fuse TRW White painted flange TRBL Black painted flange GSKT Foam gasketing RRL ³ RELOC®-ready luminaire. Provides compatibility with Lithonia RELOC system. Access above ceiling required. CP Chicago plenum WRL ⁴ Wattage restriction label

ACCESSORIES order as separate catalog numbers (shipped separately)

SCA6 Sloped ceiling adapter. Degree of slope must be specified (10D, 15D, 20D, 25D, 30D). Ex: SCA6 **10D**.

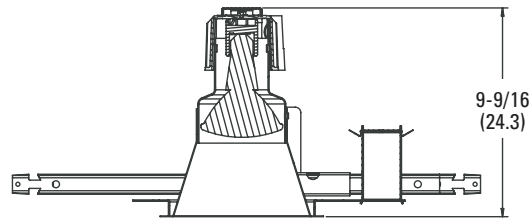
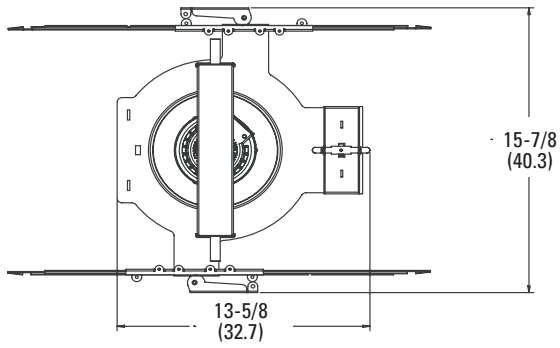
NOTES

ORDERING NOTES

1. Not available with finishes.
2. Single fuse standard when SDT or SDT347 options are ordered.
3. For compatible RELOC systems, refer to [TECH-110](#).
4. Must specify wattage. EX.:WRL40

DIMENSIONAL DATA

All dimensions are inches (centimeters) unless otherwise noted.



Aperture:	6-1/4 (15.9)
Ceiling Opening:	7-1/8 (18.1)
Overlap Trim:	7-1/2 (19.1)

Distribution Curve Distribution Data Output Data Coefficient of Utilization Illuminance: Single Luminaire 30" Above Floor

APR PAR 30 6AR 50W PAR30LN/SP-10° LAMP, 0.1 SPACING CRITERIA, 580 RATED LUMENS, TEST NO. LTL12910

Distribution Curve	cp Lumens		Zone Lumens % Lamp		Coefficient of Utilization						Illuminance					
	0°	5°	0° - 30°	0° - 40°	pc	20%		50%		50% beam - 8.0'		10% beam - 24.1'				
	15°	25°	0° - 60°	0° - 90°	pw	50%	30%	50%	30%	50%	30%	50%	30%			
	0°	8050	0° - 30°	456	78.7	0	95	95	93	93	89	89				
	5°	3175	0° - 40°	459	79.1	1	91	89	89	88	86	85	Mounting	Initial FC		
	15°	577	0° - 60°	460	79.4	2	87	85	86	84	83	82	Height	Center		
	25°	91	0° - 90°	462	79.7	3	84	81	83	81	81	79	Beam	Diameter		
	35°	3	90° - 180°	0	0.0	4	81	79	81	78	79	77	Diameter	FC		
	45°	1	0° - 180°	462	*79.7	5	79	76	79	76	77	75	FC	Diameter		
	55°	0			*Total Efficiency	6	77	74	77	74	76	73	Diameter	FC		
	65°	1				7	75	73	75	72	74	72	FC	Diameter		
	75°	1				8	74	71	73	71	73	70	FC	Diameter		
	85°	0				9	72	70	72	69	71	69	FC	Diameter		
	90°	0				10	71	68	71	68	70	68	FC	Diameter		

APR PAR30 6AR 75W PAR30LN/CAP/NSP/9 LAMP, 0.1 SPACING CRITERIA, 1100 RATED LUMENS, TEST NO. LTL12836

Distribution Curve	cp Lumens		Zone Lumens % Lamp		Coefficient of Utilization						Illuminance					
	0°	5°	0° - 30°	0° - 40°	pc	20%		50%		50% beam - 6.0'		10% beam - 20.4'				
	15°	25°	0° - 60°	0° - 90°	pw	50%	30%	50%	30%	50%	30%	50%	30%			
	0°	22512	0° - 30°	915	83.2	0	102	102	100	100	96	96	Mounting	Initial FC		
	5°	6528	0° - 40°	938	85.3	1	98	96	96	95	93	92	Height	Center		
	15°	1000	0° - 60°	944	85.8	2	94	92	93	91	90	88	Beam	Diameter		
	25°	175	0° - 90°	947	86.1	3	91	88	90	87	88	86	Diameter	FC		
	35°	26	90° - 180°	0	0.0	4	88	85	87	84	85	83	FC	Diameter		
	45°	4	0° - 180°	947	*86.1	5	86	83	85	82	84	81	Diameter	FC		
	55°	2			*Total Efficiency	6	83	80	83	80	82	79	FC	Diameter		
	65°	4				7	81	78	81	78	80	78	Diameter	FC		
	75°	0				8	80	77	79	77	79	76	FC	Diameter		
	85°	0				9	78	75	78	75	77	75	Diameter	FC		
	90°	0				10	77	74	76	74	76	73	FC	Diameter		

APR PAR30 6AR 75W PAR30LN/CAP/WFL/50 LAMP, 0.7 SPACING CRITERIA, 1130 RATED LUMENS, TEST NO. LTL12837

Distribution Curve	cp Lumens		Zone Lumens % Lamp		Coefficient of Utilization						Illuminance					
	0°	5°	0° - 30°	0° - 40°	pc	20%		50%		50% beam - 36.6'		10% beam - 66.8'				
	15°	25°	0° - 60°	0° - 90°	pw	50%	30%	50%	30%	50%	30%	50%	30%			
	0°	1668	0° - 30°	748	66.2	0	97	97	95	95	91	91	Mounting	Initial FC		
	5°	1532	0° - 40°	897	79.4	1	91	89	89	88	86	85	Height	Center		
	15°	1080	0° - 60°	924	81.7	2	85	82	84	81	81	79	Beam	Diameter		
	25°	688	0° - 90°	924	81.7	3	80	77	79	76	77	74	Diameter	FC		
	35°	230	90° - 180°	0	0.0	4	76	72	75	71	73	70	FC	Diameter		
	45°	21	0° - 180°	924	*81.7	5	71	67	71	67	69	66	Diameter	FC		
	55°	1			*Total Efficiency	6	68	63	67	63	66	62	FC	Diameter		
	65°	0				7	64	60	64	59	63	59	Diameter	FC		
	75°	0				8	61	56	60	56	60	56	FC	Diameter		
	85°	0				9	58	53	57	53	57	53	Diameter	FC		
	90°	0				10	55	51	55	51	54	50	FC	Diameter		

PHOTOMETRY NOTES

- Tested to current IES and NEMA standards under stabilized laboratory condition.
- Actual performance may differ as a result of end-user environment and application.
- Consult factory or IES file for microgroove baffle, black cone or other photometric reports.