

Gotham Architectural Downlighting  
Incandescent Downlights

**6" APR**  
**Open Reflector**

PAR38 Lamp 150-Watt Max

FEATURES

**OPTICAL SYSTEM**

- Self-flanged semi-specular, matte-diffuse or specular reflector. Patented Bound-ing Ray™ Optical Principle design (U.S. Patent No. 5,800,050).
- Integrated snoot and optical system minimizes lamp striations normally associ-ated with PAR lamps and creates visually pleasing scallops on vertical surfaces.

**MECHANICAL SYSTEM**

- 16-gauge galvanized steel construction; maximum 1-5/8" ceiling thickness.
- Telescopic mounting bars maximum of 32" and minimum of 15", preinstalled, 4" vertical adjustment.
- Toolless post-installation adjustments.
- Junction box capacity: 8 (4 in, 4 out) 12AWG rated for 90°C.

**ELECTRICAL SYSTEM**

- Die-cast aluminum lampholder housing.
- Medium-base porcelain socket with nickel-plated screw shell.
- Thermally activated insulation detector.

**LISTING**

- Fixtures are UL Listed for thru-branch wiring, non-IC recessed mounting and damp locations. Listed and labeled to comply with Canadian standards.

**WARRANTY**

- 1-year limited warranty. Complete warranty terms located at [www.acuitybrands.com/CustomerResources/Terms\\_and\\_conditions.aspx](http://www.acuitybrands.com/CustomerResources/Terms_and_conditions.aspx)

ORDERING INFORMATION

**EXAMPLE: APR PAR38 6AR**

Series	Lamp designation	Aperture/Trim color <sup>1</sup>	Finish	Lens type	Options
<b>APR</b>	<b>PAR38</b> PAR38 (150W max.)	<b>6AR</b> Clear <b>6BR<sup>2</sup></b> Black <b>6PR</b> Pewter <b>6WTR</b> Wheat <b>6GR</b> Gold <b>6WR<sup>2</sup></b> White painted	(blank) Semi-specular <b>LD</b> Matte-diffuse <b>LS</b> Specular	(blank) No lens <b>CGL</b> Clear glass lens <b>T73</b> Tempered prismatic lens	<b>SDT<sup>3</sup></b> 277V to 120V stepdown transformer <b>SDT347<sup>3</sup></b> 347V to 120V stepdown transformer (75W max.) <b>SF<sup>3</sup></b> Single fuse <b>TRW</b> White painted flange <b>TRBL</b> Black painted flange <b>GSKT</b> Foam gasketing <b>RRL<sup>4</sup></b> RELOC®-ready luminaire. Provides compatibility with Lithonia RELOC system. Access above ceiling required. <b>CP</b> Chicago plenum <b>WRL<sup>5</sup></b> Wattage restriction label

ACCESSORIES order as separate catalog numbers (shipped separately)

**SCA6** Sloped ceiling adapter. Degree of slope must be specified (10D, 15D, 20D, 25D, 30D). Ex.: SCA6 10D.

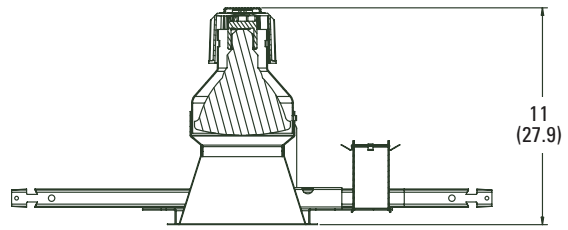
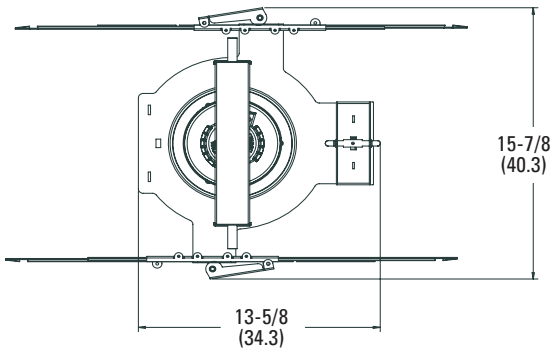
NOTES

**ORDERING NOTES**

1. Not suitable for pole relamping.
2. Not available with finishes.
3. Single fuse standard when SDT or SDT347 options are ordered.
4. For compatible RELOC systems, refer to [TECH-110](#).
5. Must specify wattage. EX.:WRL50

DIMENSIONAL DATA

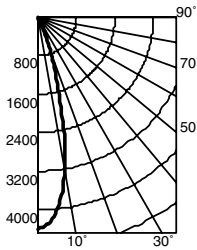
All dimensions are inches (centimeters) unless otherwise noted.



- Aperture: 6-1/4 (15.9)
- Ceiling Opening: 7-1/8 (18.1)
- Overlap Trim: 7-1/2 (19.1)

Distribution Curve    Distribution Data    Output Data    Coefficient of Utilization    Illuminance: Single Luminaire 30" Above Floor

**APR PAR38 6AR**    100W PAR38/HAL/FL LAMP, 0.4 SPACING CRITERIA, 1500 RATED LUMENS, TEST NO. LTL12845



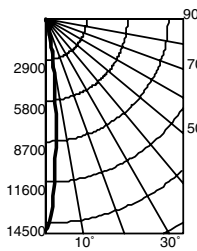
cp	Lumens	Zone	Lumens % Lamp
0°	4391	0° - 30°	1011 67.4
5°	4100	0° - 40°	1040 69.3
15°	1800	0° - 60°	1046 69.8
25°	315	0° - 90°	1047 69.8
35°	39	90° - 180°	0 0.0
45°	8	0° - 180°	1047 *69.8
55°	0	*Total Efficiency	
65°	1		
75°	0		
85°	0		
90°	0		

pf	20%					
	80%	70%	50%			
pc	80%	70%	50%			
pw	50%	30%	50%	30%		
	50%	30%	50%	30%		
0	83	83	81	81	78	78
1	79	78	77	76	75	74
2	75	73	74	72	72	70
3	72	70	71	69	69	68
4	69	67	69	66	67	65
5	67	64	66	64	65	63
6	65	62	64	61	63	61
7	63	60	62	59	61	59
8	61	58	60	58	60	57
9	59	56	59	56	58	56
10	57	55	57	54	57	54

Initial FC		50% beam - 25.9'				10% beam - 43.8'	
Mounting Height	Center Beam	Diameter	FC	Diameter	FC	Diameter	FC
8	145.2	2.5	72.6	4.4	14.5		
10	78.1	3.5	39.0	6.0	7.8		
12	48.7	4.4	24.3	7.6	4.9		
14	33.2	5.3	16.6	9.2	3.3		
16	24.1	6.2	12.1	10.9	2.4		

**APR PAR38 6AR**    100W PAR38/HAL/SPL/SP9 LAMP, 0.2 SPACING CRITERIA, 1500 RATED LUMENS, TEST NO. LTL12846



cp	Lumens	Zone	Lumens % Lamp
0°	14923	0° - 30°	1062 70.8
5°	8275	0° - 40°	1083 72.2
15°	1185	0° - 60°	1092 72.8
25°	233	0° - 90°	1096 73.1
35°	25	90° - 180°	0 0.0
45°	12	0° - 180°	1096 *73.1
55°	0	*Total Efficiency	
65°	0		
75°	1		
85°	1		
90°	0		

pf	20%					
	80%	70%	50%			
pc	80%	70%	50%			
pw	50%	30%	50%	30%		
	50%	30%	50%	30%		
0	87	87	85	85	81	81
1	83	82	81	80	79	78
2	80	78	78	77	76	75
3	77	75	76	74	74	73
4	75	72	74	72	72	70
5	72	70	72	69	71	69
6	71	68	70	68	69	67
7	69	66	69	66	68	66
8	67	65	67	65	67	64
9	66	64	66	63	65	63
10	65	62	65	62	64	62

Initial FC		50% beam - 10.9'				10% beam - 26.2'	
Mounting Height	Center Beam	Diameter	FC	Diameter	FC	Diameter	FC
8	493.3	1.1	246.5	2.6	49.3		
10	265.3	1.4	132.6	3.5	26.5		
12	165.4	1.8	82.6	4.4	16.5		
14	112.8	2.2	56.4	5.3	11.3		
16	81.9	2.6	40.9	6.3	8.2		

PHOTOMETRY NOTES

- Tested to current IES and NEMA standards under stabilized laboratory condition.
- Actual performance may differ as a result of end-user environment and application.
- Consult factory or IES file for microgroove baffle, black cone or other photometric reports.