

Gotham Architectural Downlighting  
Incandescent Downlights

**8" APR**  
**Open Reflector**

PAR38 Lamp 150-Watt Max

FEATURES

**OPTICAL SYSTEM**

- Patented Bounding Ray™ Optical Principle design (U.S. Patent No. 5,800,050).
- Integrated snoot and optical system minimizes lamp striations normally associated with PAR lamps and creates visually pleasing scallops on vertical surfaces.

**MECHANICAL SYSTEM**

- 16-gauge galvanized steel construction; maximum 1-5/8" ceiling thickness.
- Telescopic mounting bars maximum of 32" and minimum of 15", preinstalled, 4" vertical adjustment.
- Toolless post-installation adjustments.
- Junction box capacity: 8 (4 in, 4 out) 12AWG rated for 90°C.

**ELECTRICAL SYSTEM**

- Die-cast aluminum lampholder housing.
- Medium-base porcelain socket with nickel-plated screw shell.
- Thermally activated insulation detector.

**LISTING**

- Fixtures are UL Listed for thru-branch wiring, non-IC recessed mounting and damp locations. Listed and labeled to comply with Canadian standards.

**WARRANTY**

- 1-year limited warranty. Complete warranty terms located at [www.acuitybrands.com/CustomerResources/Terms\\_and\\_conditions.aspx](http://www.acuitybrands.com/CustomerResources/Terms_and_conditions.aspx)

ORDERING INFORMATION

**EXAMPLE: APR PAR38 8AR**

Series	Lamp designation	Aperture/Trim color	Finish	Lens type	Options
APR	PAR38 PAR38 (150W max.)	8AR Clear	(blank) Semi-specular	(blank) No lens	SDT <sup>2</sup> 277V to 120V stepdown transformer
		8BR <sup>1</sup> Black	LD Matte-diffuse	CGL Clear glass lens	SDT347 <sup>2</sup> 347V to 120V stepdown transformer (75W max.)
		8PR Pewter	LS Specular	T73 Tempered prismatic lens	SF <sup>2</sup> Single fuse
		8WTR Wheat			TRW White painted flange
		8GR Gold			TRBL Black painted flange
		8WR <sup>1</sup> White painted			GSKT Foam gasketing
					RRL <sup>3</sup> RELOC®-ready luminaire. Provides compatibility with Lithonia RELOC system. Access above ceiling required.
			CP Chicago plenum		
			WRL <sup>4</sup> Wattage restriction label		

ACCESSORIES order as separate catalog numbers (shipped separately)

SCA8 Sloped ceiling adapter. Degree of slope must be specified (10D, 15D, 20D, 25D, 30D). Ex.: SCA8 10D.

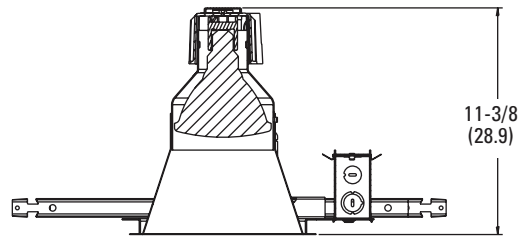
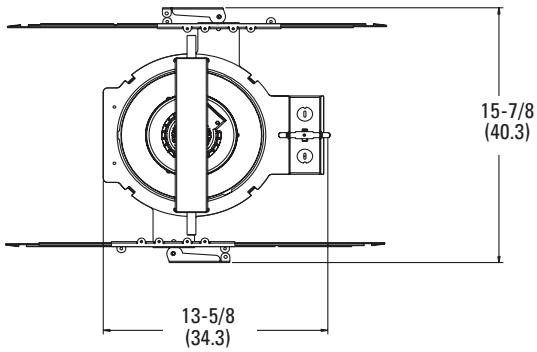
NOTES

**ORDERING NOTES**

1. Not available with finishes.
2. Single fuse standard when SDT or SDT347 options are ordered.
3. For compatible RELOC systems, refer to [TECH-110](#).
4. Must specify wattage. EX.:WRL50

DIMENSIONAL DATA

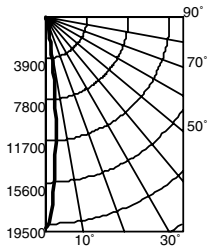
All dimensions are inches (centimeters) unless otherwise noted.



- Aperture: 7-7/8 (20.1)
- Ceiling Opening: 8-7/8 (22.5)
- Overlap Trim: 9-1/4 (23.5)

Distribution Curve    Distribution Data    Output Data    Coefficient of Utilization    Illuminance: Single Luminaire 30" Above Floor

**APR PAR38 8AR**    90W PAR38/SP-12° LAMP, 0.2 SPACING CRITERIA, 1470 RATED LUMENS, TEST NO. LTL12909



cp	Lumens	Zone	Lumens	% Lamp
0°	19818	0° - 30°	1175	79.9
5°	10768	0° - 40°	1201	81.7
15°	977	0° - 60°	1206	82.0
25°	210	0° - 90°	1208	82.2
35°	33	90° - 180°	0	0.0
45°	4	0° - 180°	1208	*82.2
55°	0	*Total Efficiency		
65°	0			
75°	1			
85°	1			
90°	0			

pc	20%						50% beam - 10.7'	10% beam - 23.0'
	80%	70%	50%	30%	50%	30%		
pw	50%	30%	50%	30%	50%	30%	Initial FC	
0	98	98	96	96	91	91	Mounting Height	Center FC
1	94	92	92	91	89	88	Beam Diameter	FC Diameter
2	90	88	89	87	86	85	FC	FC
3	87	85	86	84	84	83	8	655.1
4	85	82	84	82	82	80	10	352.3
5	83	80	82	80	81	79	12	219.6
6	81	78	80	78	79	77	14	149.9
7	79	77	79	76	78	76	16	108.7
8	78	75	77	75	77	75		
9	76	74	76	74	76	73		
10	75	73	75	73	74	72		

**PHOTOMETRY NOTES**

- Tested to current IES and NEMA standards under stabilized laboratory condition.
- Actual performance may differ as a result of end-user environment and application.
- Consult factory or IES file for microgroove baffle, black cone or other photometric reports.