

Gotham Architectural Downlighting  
Incandescent Low-Profile Downlights

**6" AZW**  
Open Wallwash

Horizontal A17 or A19 Lamp

FEATURES

**OPTICAL SYSTEM**

- Self-flanged, semi-specular, matte-diffuse or specular reflector. Patented Bounding Ray™ Optical Principle design (U.S. Patent No. 5,800,050).
- Patented hybrid kicker utilizes a multi-finish process to provide maximum vertical illumination on the wall.

**MECHANICAL SYSTEM**

- 16-gauge galvanized steel construction; maximum 1-1/2" ceiling thickness.
- Telescopic mounting bars maximum of 32" and minimum of 15", preinstalled, 4" vertical adjustment.
- Toolless adjustments post installation.
- Junction box capacity: 8 (4 in, 4 out) No. 12AWG rated for 90°C.

**ELECTRICAL SYSTEM**

- Galvanized steel lampholder housing.
- Medium-base porcelain socket with nickel-plated screw shell.
- Thermally activated insulation detector.

**LISTING**

- Fixtures are UL Listed for thru-branch wiring, non-IC recessed mounting and damp locations. Listed and labeled to comply with Canadian standards.

**WARRANTY**

- 1-year limited warranty. Complete warranty terms located at: [www.acuitybrands.com/CustomerResources/Terms\\_and\\_conditions.aspx](http://www.acuitybrands.com/CustomerResources/Terms_and_conditions.aspx)

ORDERING INFORMATION

**EXAMPLE: AZW 6AR**

Series <sup>1</sup>	Aperture/Trim color	Finish	Lens type	Options
<b>AZW</b>	<b>6AR</b> Clear	(blank) Semi-specular	(blank) No lens	<b>TRW</b> White painted flange
	<b>6PR</b> Pewter	<b>LD</b> Matte-diffuse	<b>CGL</b> Clear glass lens	<b>TRBL</b> Black painted flange
	<b>6WTR</b> Wheat	<b>LS</b> Specular		<b>CP</b> Chicago plenum
	<b>6GR</b> Gold			<b>RRL<sup>3</sup></b> RELOC®-ready luminaire. Provides compatibility with Lithonia RELOC system. Access above ceiling required.
	<b>6WR<sup>2</sup></b> White painted			<b>SDT</b> Stepdown transformer (277V to 120V)
				<b>SDT347</b> Stepdown transformer (347V to 120V; 75W max.)
				<b>SF</b> Single fuse
				<b>GSKT</b> Foam gasketing
				<b>WRL<sup>4</sup></b> Wattage restriction label

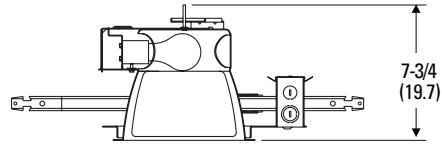
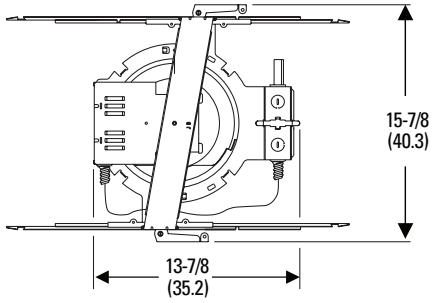
NOTES

**ORDERING NOTES**

1. Maximum wattage: 100W A17 or A19 lamp.
2. Not available with finishes.
3. For compatible RELOC systems, refer to [TECH-110](#).
4. Must specify wattage: Ex.: WRL50

DIMENSIONAL DATA

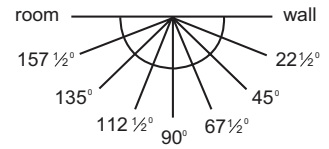
All dimensions are inches (centimeters) unless otherwise noted.



Aperture: 6-1/4 (15.9)  
Ceiling Opening: 7-1/8 (18.1)  
Overlap Trim: 7-1/2 (19.1)

**TECHNICAL INFORMATION**

Footcandle values are initial and tables are based on minimum of six units. For fixture-to-wall distance other than those shown, use maximum of one-to-one spacing (distance between fixtures not more than distance to wall) for best results.



Fixture/Lamp	Candlepower Data	Footcandle values
--------------	------------------	-------------------

**AZW 6AR**

(1) 100 WATT, A19 lamp

1550 rated lumens

Test no. LTL14634

Vertical Angle	Plane Angle									3 ft. from wall on 3 ft. centers			3 ft. from wall on 4 ft. centers				
	Room Side					Wall Side											
	Room	157.5°	135°	112.5°	90°	67.5°	45°	22.5°	Wall								
0°	420	420	420	420	420	420	420	420	420	420	1	5	4	5	4	3	4
5°	463	480	491	487	474	448	433	420	407		2	10	9	10	8	6	8
15°	522	563	591	595	561	503	446	401	373		3	11	11	11	8	8	8
25°	522	571	608	609	571	488	423	370	344		4	11	11	11	8	8	8
35°	332	366	388	379	348	309	301	282	257		5	10	10	10	8	7	8
45°	253	251	241	219	185	179	193	179	167		6	8	9	8	6	6	6
55°	32	38	42	40	30	51	99	112	110		7	7	7	7	5	6	5
65°	9	9	8	7	8	20	50	60	60		8	6	6	6	4	5	4
75°	5	4	4	4	3	8	20	24	24		9	5	5	5	4	4	4
85°	0	0	0	0	0	0	2	3	2		10	4	4	4	3	3	3
90°	0	0	0	0	0	0	0	0	0								

**PHOTOMETRY NOTES**

- Tested to current IES and NEMA standards under stabilized laboratory conditions.
- Actual performance may differ as a result of end-user environment and application.
- Consult factory or IES file for microgroove baffle, black cone or other photometric reports.