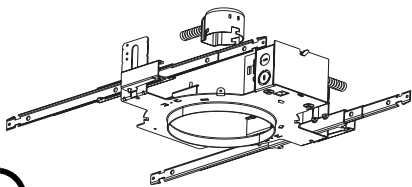
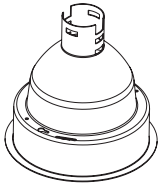


INSTALLATION INSTRUCTIONS

LG 6", 8", 10"

LGFV 10" Reflectors

Upon receipt, thoroughly inspect for any freight damage which should be brought to the attention of the delivery carrier. Compare the catalog description listed on the packing slip with the label on the carton to ensure that you have received the correct merchandise.



IMPORTANT SAFETY INFORMATION

For Your Protection, Read Carefully

WARNING - Risk of fire. Do not install insulation within 3 inches of fixture sides or wiring compartment, nor above the fixture in such a manner as to entrap heat.

1. Electric current can cause painful shock or serious injury unless handled properly. For your safety, always remember the following:

- Turn off the power supply.
- Ground the fixture to avoid potential electrical shocks.
- Do not handle an energized fixture or energize any fixture with wet hands, when standing on a wet or damp surface, or in water.
- Double check all electrical connections to be sure they are tight and correct.

2. Specific safety information concerning lamps:

- Match wattage of fixture and lamp exactly.
- Do not remove or insert lamp when power is on.
- Do not scratch glass or subject lamp to undue pressure as either may cause lamp breakage.
- Protect operating lamp from sources of moisture.

SAVE THESE INSTRUCTIONS

New Installation

1. Slide both trim mounting brackets under lanced up tabs on the mounting frame as shown in Figure 1. Brackets may be secured to the mounting frame by screws or rivets (not supplied). **NOTE: REMOVE AND DISCARD FRICTION SUPPORT CLIPS FROM MOUNTING FRAME IF PRESENT.**
2. Remove door assembly by pulling door assembly out of reflector, compress torsion springs and slide through slots in reflector.
3. Attach socket housing to top of reflector by aligning spring in socket housing with slots in reflector as shown in Figure 2. **See chart and Figure 3 for proper location.**
4. Push reflector through mounting frame opening and align key hole slots with screws in trim mounting brackets. Rotate reflector to engage as shown in Figure 4 and tighten screws securely.
5. Visually inspect reflector flange, making sure it is seated properly against the ceiling.
6. Fixture may now be lamped and is designed for specific wattages. Consult label on reflector or socket housing for the correct wattage/lamp type for the reflector/mounting frame combination.
7. Attach door assembly by compressing torsion springs and inserting them through slots in the reflector. Push door assembly up into reflector.
8. To remove the reflector: remove door assembly, remove lamp, loosen reflector, retaining screws and rotate reflector to disengage. Compress springs in socket housing and remove reflector.

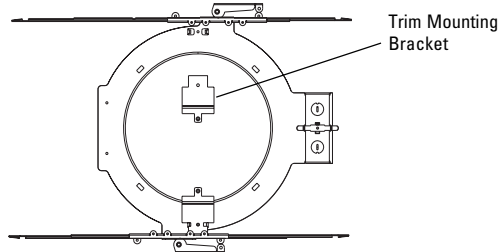


Figure 1

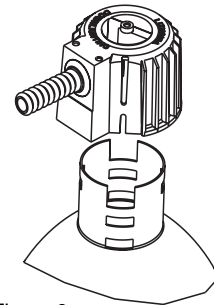


Figure 2

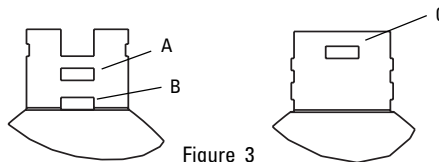


Figure 3

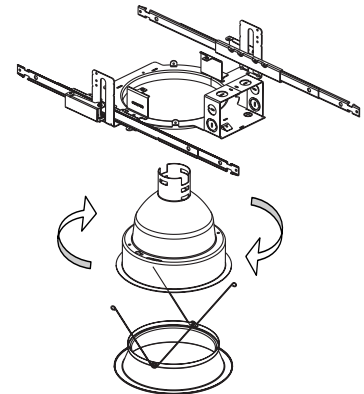


Figure 4

Reflector Size Lamp Type	Lamp Wattage	Slot Location (Figure 3)
6" Incandescent	100W	B
	150W	A
8" Incandescent	150W	B
	200W	A
All HID and 10" Fluorescent	See Label	C

TROUBLE SHOOTING CHART

Check for any visible damage to the lamp or frame-in module. If they seem in good condition, locate the problem in the following list of possible causes and corrective actions.

Symptom	Possible Cause	Corrective Action
LAMP FAILS TO LIGHT	<ul style="list-style-type: none"> -Circuit feeding the fixture not energized -Wiring error in circuit or module connection -Faulty lamp -Line or ballast output -Faulty ballast -Ambient temperature too low 	<ul style="list-style-type: none"> -Check circuit breaker or fuse to ensure that circuit is energized. -Examine fixture splice box to ensure that connections are correct. -Remove the faulty lamp and substitute another lamp, preferably one that is known to light. If the lamp lights, replace the original with a new one. -Check line voltage at fixture. Check open circuit voltage. -Check circuit continuity. -Check ballast rating against existing environmental conditions.
LAMP GOES OUT AFTER LIGHTING	<ul style="list-style-type: none"> -Faulty lamp 	<ul style="list-style-type: none"> -Occasionally a lamp will exhibit this symptom rather than simply failing to light. Substitute a new lamp.
LAMP CYCLES ON AND OFF	<ul style="list-style-type: none"> -Insulation is too close to fixture -Lamp wattage too high -Ballast output voltage low 	<ul style="list-style-type: none"> -Remove insulation from around module (at least 3") -Install lamp wattage specified in housing. -Check line voltage at the fixture. Check open circuit voltage.