

Gotham Architectural Downlighting  
Incandescent Downlights

**10" LG**  
**Round Lens**

Wet Location  
Vertical PS25 Lamp

FEATURES

**OPTICAL SYSTEM**

- Aluminum upper reflector coated with highly reflective white paint provides high efficiency and an evenly illuminated aperture appearance.
- Available with tempered prismatic lens (T73), flat Fresnel lens (FFL) or flat opal lens (FOL).
- Regressed white door (RW) or stepped black baffle (SB) are available with white painted flange provided.
- Door is retained by self-aligning, torsion support springs, preventing gaps between door and ceiling.

**MECHANICAL SYSTEM**

- 16-gauge galvanized steel mounting/plaster frame with integral brackets to retain optical system. Maximum 1-1/2" ceiling thickness.
- 16-gauge galvanized steel mounting bars with continuous 4" vertical adjustment are shipped pre-installed. Post installation adjustment possible without the use of tools from above or below ceiling.
- Galvanized steel junction box with hinged access covers and spring latch. Two combination 1/2"-3/4" and two 1/2" knockouts for straight-through conduit runs. Capacity: 8 (4 in, 4 out) No. 12 AWG conductors rated for 90°C.

**ELECTRICAL SYSTEM**

- Die-cast aluminum lampholder housing.
- Medium-base porcelain socket with nickel-plated screw shell.
- Thermally-activated insulation detector.

**LISTING**

- Fixtures are UL Listed for thru-branch wiring, non-IC recessed mounting and wet locations. Listed and labeled to comply with Canadian standards.

**WARRANTY**

- 1-year limited warranty. Complete warranty terms located at: [www.acuitybrands.com/CustomerResources/Terms\\_and\\_conditions.aspx](http://www.acuitybrands.com/CustomerResources/Terms_and_conditions.aspx)

ORDERING INFORMATION

**EXAMPLE: LG 10RW T73**

Series <sup>1</sup>	Door frame	Lens type	Options
LG	<b>10RW</b> Regressed white door	<b>T73</b> Tempered prismatic lens	<b>CP</b> Chicago plenum <b>TRDA<sup>2</sup></b> Tamper resistant door assembly <b>RRL<sup>3</sup></b> RELOC®-ready luminaire. Provides compatibility with Lithonia RELOC system. Access above ceiling required. <b>SDT</b> 277 step-down transformer (277V to 120V) <b>SDT347</b> 347 step-down transformer (347V to 120V; 75W max.) <b>GSKT</b> Foam gasketing ships uninstalled <b>SF</b> Single fuse
	<b>10SB</b> Stepped black baffle	<b>FFL</b> Flat fresnel lens	
		<b>FOL</b> Flat opal lens	

ACCESSORIES order as separate catalog numbers (shipped separately)

**SCA10** Sloped ceiling adapter. Degree of slope must be specified (10D, 15D, 20D, 25D, 30D). Ex: SCA10 10D.

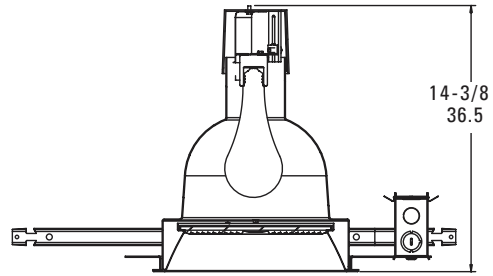
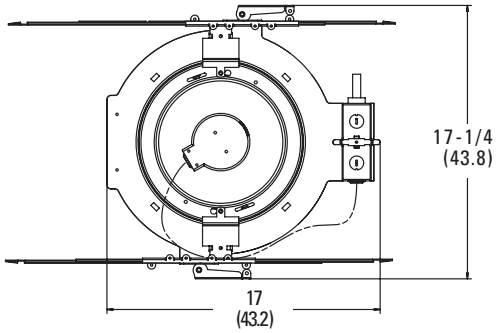
NOTES

**ORDERING NOTES**

1. Maximum wattage: 150W A21; 200W A23 lamp.
2. Uses Torx T15 rejection pin drive system.
3. For compatible RELOC systems, refer to [TECH-110](#).

DIMENSIONAL DATA

All dimensions are inches (centimeters) unless otherwise noted.

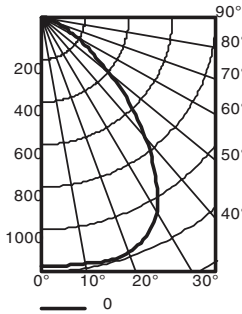


- Aperture: 9-3/4 (24.8)
- Ceiling Opening: 10-1/2 (26.7)
- Overlap Trim: 11-1/8 (28.3)

Distribution Curve    Distribution Data    Output Data    Coefficient of Utilization    Illuminance: Single Luminaire 30" Above Floor

**LG 10RW T73**

300W PS25 LAMP, 1.3 S/MH, 4170 RATED LUMENS, TEST NO. LTL14199

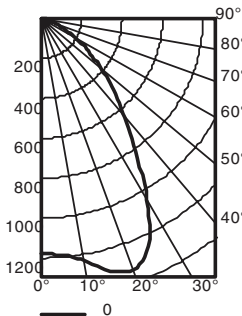


From 0°	Ave	Lumens	Zone	Lumens	% Lamp
0	1173		0° - 30°	969.4	23.2
5	1176	112	0° - 40°	1534.8	36.8
15	1186	335	0° - 60°	2225.5	53.4
25	1139	522	0° - 90°	2411.1	57.8
35	910	565	90° - 180°	0.0	0.0
45	570	439	0° - 180°	2411.1	*57.8
55	276	252	*E efficiency		
65	125	127			
75	41	48			
85	10	11			
90	0				

pf	80%		20%		50%		50% beam angle			10% beam angle			
	pc	pw	50%	30%	50%	30%	50%	30%	65.4°	98.7°	fc at beam edge	Beam diameter	fc at beam edge
1	.62	.60	.61	.59	.58	.57	Mount height	Initial fc at beam center	Beam diameter	fc at beam edge	Beam diameter	fc at beam edge	Beam diameter
2	.56	.53	.55	.52	.53	.50	8	38.8	7.1	19.4	12.8	3.9	
3	.50	.46	.49	.46	.48	.45	10	20.9	9.6	10.4	17.5	2.1	
4	.46	.41	.45	.41	.43	.40	12	13.0	12.2	6.5	22.1	1.3	
5	.41	.37	.41	.37	.40	.36	14	8.9	14.8	4.4	26.8	0.9	
6	.38	.33	.37	.33	.36	.32	16	6.4	17.3	3.2	31.5	0.6	
7	.35	.30	.34	.30	.33	.29							
8	.32	.27	.31	.27	.31	.27							
9	.29	.25	.29	.25	.28	.25							
10	.27	.23	.27	.23	.26	.23							

**LG 10RW FFL**

300W PS25 LAMP, 1.2 S/MH, 4170 RATED LUMENS, TEST NO. LTL14200



From 0°	Ave	Lumens	Zone	Lumens	% Lamp
0	1177		0° - 30°	1050.7	25.2
5	1190	115	0° - 40°	1567.0	37.6
15	1313	370	0° - 60°	2217.3	53.2
25	1256	566	0° - 90°	2408.3	57.8
35	817	516	90° - 180°	0.0	0.0
45	510	394	0° - 180°	2408.3	*57.8
55	283	256	*E efficiency		
65	129	130			
75	43	48			
85	11	12			
90	0				

pf	80%		20%		50%		50% beam angle			10% beam angle			
	pc	pw	50%	30%	50%	30%	50%	30%	63.7°	97.8°	fc at beam edge	Beam diameter	fc at beam edge
1	.62	.60	.61	.59	.58	.57	Mount height	Initial fc at beam center	Beam diameter	fc at beam edge	Beam diameter	fc at beam edge	Beam diameter
2	.56	.53	.55	.52	.53	.51	8	38.9	6.8	19.5	12.6	3.9	
3	.50	.47	.50	.46	.48	.45	10	20.9	9.3	10.5	17.2	2.1	
4	.46	.42	.45	.41	.44	.40	12	13.0	11.8	6.5	21.8	1.3	
5	.42	.37	.41	.37	.40	.36	14	8.9	14.3	4.5	26.4	0.9	
6	.38	.34	.38	.33	.37	.33	16	6.5	16.8	3.2	30.9	0.6	
7	.35	.31	.35	.30	.34	.30							
8	.32	.28	.32	.28	.31	.27							
9	.30	.26	.30	.26	.29	.25							
10	.28	.24	.28	.24	.27	.23							

PHOTOMETRY NOTES

- Tested to current IES and NEMA standards under stabilized laboratory conditions.
- Actual performance may differ as a result of end-user environment and application.
- Consult factory or IES file for microgroove baffle, black cone or other photometric reports.