

Gotham Architectural Downlighting
Incandescent Downlights

6" LG
Round Lens

Wet Location
Vertical A19 or A21 Lamp

FEATURES

OPTICAL SYSTEM

- Aluminum upper reflector coated with highly reflective white paint provides high efficiency and an evenly illuminated aperture appearance.
- Available with tempered prismatic lens (T73), flat Fresnel lens (FFL) or flat opal lens (FOL).
- Regressed white door (RW) or stepped black baffle (SB) are available with white painted flange provided.
- Door is retained by self-aligning, torsion support springs, preventing gaps between door and ceiling.

MECHANICAL SYSTEM

- 16-gauge galvanized steel mounting/plaster frame with integral brackets to retain optical system. Maximum 1-1/2" ceiling thickness.
- 16-gauge galvanized steel mounting bars with continuous 4" vertical adjustment are shipped pre-installed. Post installation adjustment possible without the use of tools from above or below ceiling.
- Galvanized steel junction box with hinged access covers and spring latch. Two combination 1/2"-3/4" and two 1/2" knockouts for straight-through conduit runs. Capacity: 8 (4 in, 4 out) No. 12 AWG conductors rated for 90°C.

ELECTRICAL SYSTEM

- Die-cast aluminum lampholder housing.
- Medium-base porcelain socket with nickel-plated screw shell.
- Thermally-activated insulation detector.

LISTING

- Fixtures are UL Listed for thru-branch wiring, non-IC recessed mounting and wet locations. Listed and labeled to comply with Canadian standards.

WARRANTY

- 1-year limited warranty. Complete warranty terms located at: www.acuitybrands.com/CustomerResources/Terms_and_conditions.aspx

ORDERING INFORMATION

EXAMPLE: LG 6RW T73

Series ¹	Door frame	Lens type	Options
LG	6RW Regressed white door	T73 Tempered prismatic lens	CP Chicago plenum TRDA ² Tamper resistant door assembly RRL ³ RELOC®-ready luminaire. Provides compatibility with Lithonia RELOC system. Access above ceiling required. SDT 277 step-down transformer (277V to 120V) SDT347 347 step-down transformer (347V to 120V; 75W max.) GSKT Foam gasketing ships uninstalled SF Single fuse
	6SB Stepped black baffle	FFL Flat fresnel lens	
		FOL Flat opal lens	

ACCESSORIES order as separate catalog numbers (shipped separately)

SCA6 Sloped ceiling adapter. Degree of slope must be specified (10D, 15D, 20D, 25D, 30D). Ex: SCA6 10D.

NOTES

ORDERING NOTES

1. Maximum wattage: 100W A17 or A19; 150W A21 lamp.
2. Uses Torx T20 rejection pin drive system. You may order RK1 T20DRV U Torx driver accessory.
3. For compatible RELOC systems, refer to [TECH-110](#).

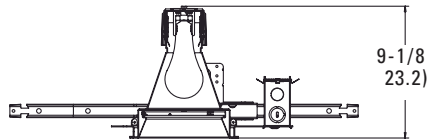
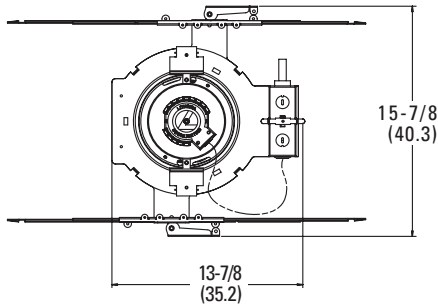
6" LG
Round Lens

Wet Location, Vertical A19 or A21 Lamp



DIMENSIONAL DATA

All dimensions are inches (centimeters) unless otherwise noted.

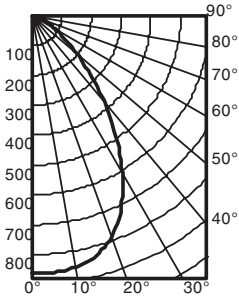


- Aperture: 6-1/4 (15.9)
- Ceiling Opening: 7-1/8 (18.1)
- Overlap Trim: 7-1/2 (19.1)

Distribution Curve Distribution Data Output Data Coefficient of Utilization Illuminance: Single Luminaire 30" Above Floor

LG 6RW T73

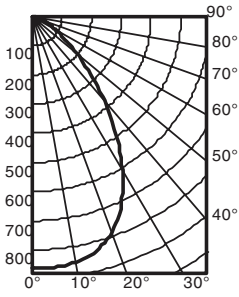
150W A21 LAMP, 1.1 S/MH, 2850 RATED LUMENS, TEST NO. LTL14203



From 0°	Ave	Lumens	Zone	Lumens	% Lamp	pf	20%				50% beam angle							
							80%		70%		50%		57.2°		92.1°			
0	862		0° - 30°	638.7	22.4	pc	50%	30%	50%	30%	50%	30%	Initial fc	fc at	fc at			
5	863	82	0° - 40°	944.4	33.1	pw	.52	.51	.51	.50	.49	.48	Mount at beam	Beam	Beam	Beam		
15	832	233	0° - 60°	1282.3	45.0		.47	.45	.46	.44	.45	.43	height	center	diameter	edge	diameter	edge
25	709	323	0° - 90°	1383.1	48.5		.43	.40	.42	.39	.41	.38	8	28.5	6.0	14.2	11.4	2.8
35	491	306	90° - 180°	0.0	0.0		.39	.36	.38	.35	.37	.35	10	15.3	8.2	7.7	15.6	1.5
45	276	215	0° - 180°	1383.1	*48.5		.36	.32	.35	.32	.34	.31	12	9.6	10.4	4.8	19.7	1.0
55	135	123					.33	.29	.32	.29	.32	.29	14	6.5	12.5	3.3	23.9	0.7
65	66	67					.30	.27	.30	.26	.29	.26	16	4.7	14.7	2.4	28.0	0.5
75	25	28					.28	.24	.28	.24	.27	.24						
85	6	6					.26	.23	.26	.22	.25	.22						
90	0						.24	.21	.24	.21	.24	.21						

LG 6RW FFL

150W A21 LAMP, 1.1 S/MH, 2850 RATED LUMENS, TEST NO. LTL14204



From 0°	Ave	Lumens	Zone	Lumens	% Lamp	pf	20%				50% beam angle							
							80%		70%		50%		57.2°		92.1°			
0	862		0° - 30°	638.7	22.4	pc	50%	30%	50%	30%	50%	30%	Initial fc	fc at	fc at			
5	863	82	0° - 40°	944.4	33.1	pw	.47	.45	.46	.44	.45	.43	Mount at beam	Beam	Beam	Beam		
15	832	233	0° - 60°	1282.3	45.0		.43	.40	.42	.39	.41	.38	height	center	diameter	edge	diameter	edge
25	709	323	0° - 90°	1383.1	48.5		.39	.36	.38	.35	.37	.35	8	28.5	6.0	14.2	11.4	2.8
35	491	306	90° - 180°	0.0	0.0		.39	.36	.38	.35	.37	.35	10	15.3	8.2	7.7	15.6	1.5
45	276	215	0° - 180°	1383.1	*48.5		.36	.32	.35	.32	.34	.31	12	9.6	10.4	4.8	19.7	1.0
55	135	123					.33	.29	.32	.29	.32	.29	14	6.5	12.5	3.3	23.9	0.7
65	66	67					.30	.27	.30	.26	.29	.26	16	4.7	14.7	2.4	28.0	0.5
75	25	28					.28	.24	.28	.24	.27	.24						
85	6	6					.26	.23	.26	.22	.25	.22						
90	0						.24	.21	.24	.21	.24	.21						

PHOTOMETRY NOTES

- Tested to current IES and NEMA standards under stabilized laboratory conditions.
- Actual performance may differ as a result of end-user environment and application.
- Consult factory or IES file for microgroove baffle, black cone or other photometric reports.