

Gotham Architectural Downlighting
Incandescent Downlights

8" LG
Round Lens

Wet Location
Vertical A21 or A23 Lamp

FEATURES

OPTICAL SYSTEM

- Aluminum upper reflector coated with highly reflective white paint provides high efficiency and an evenly illuminated aperture appearance.
- Available with tempered prismatic lens (T73), flat Fresnel lens (FFL) or flat opal lens (FOL).
- Regressed white door (RW) or stepped black baffle (SB) are available with white painted flange provided.
- Door is retained by self-aligning, torsion support springs, preventing gaps between door and ceiling.

MECHANICAL SYSTEM

- 16-gauge galvanized steel mounting/plaster frame with integral brackets to retain optical system. Maximum 1-1/2" ceiling thickness.
- 16-gauge galvanized steel mounting bars with continuous 4" vertical adjustment are shipped pre-installed. Post installation adjustment possible without the use of tools from above or below ceiling.
- Galvanized steel junction box with hinged access covers and spring latch. Two combination 1/2"-3/4" and two 1/2" knockouts for straight-through conduit runs. Capacity: 8 (4 in, 4 out) No. 12 AWG conductors rated for 90°C.

ELECTRICAL SYSTEM

- Die-cast aluminum lampholder housing.
- Medium-base porcelain socket with nickel-plated screw shell.
- Thermally-activated insulation detector.

LISTING

- Fixtures are UL Listed for thru-branch wiring, non-IC recessed mounting and wet locations. Listed and labeled to comply with Canadian standards.

WARRANTY

- 1-year limited warranty. Complete warranty terms located at: www.acuitybrands.com/CustomerResources/Terms_and_conditions.aspx

ORDERING INFORMATION

EXAMPLE: LG 8RW T73

Series ¹	Door frame	Lens type	Options
LG	8RW Regressed white door	T73 Tempered prismatic lens	CP Chicago plenum TRDA ² Tamper resistant door assembly RRL ³ RELOC®-ready luminaire. Provides compatibility with Lithonia RELOC system. Access above ceiling required. SDT 277 step-down transformer (277V to 120V) SDT347 347 step-down transformer (347V to 120V; 75W max.) GSKT Foam gasketing ships uninstalled SF Single fuse
	8SB Stepped black baffle	FFL Flat fresnel lens	
		FOL Flat opal lens	

ACCESSORIES order as separate catalog numbers (shipped separately)

SCA8 Sloped ceiling adapter. Degree of slope must be specified (10D, 15D, 20D, 25D, 30D). Ex: SCA8 10D.

NOTES

ORDERING NOTES

1. Maximum wattage: 150W A21; 200W A23 lamp.
2. Uses Torx T20 rejection pin drive system. You may order RK1 T20DRV U Torx driver accessory.
3. For compatible RELOC systems, refer to [TECH-110](#).

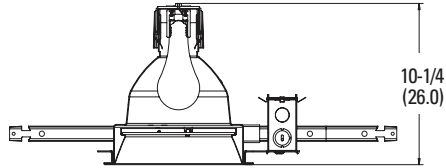
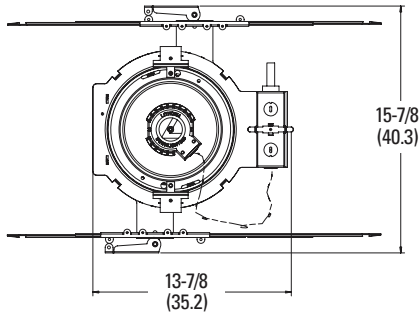
8" LG
Round Lens

Wet Location, Vertical A21 or A23 Lamp



DIMENSIONAL DATA

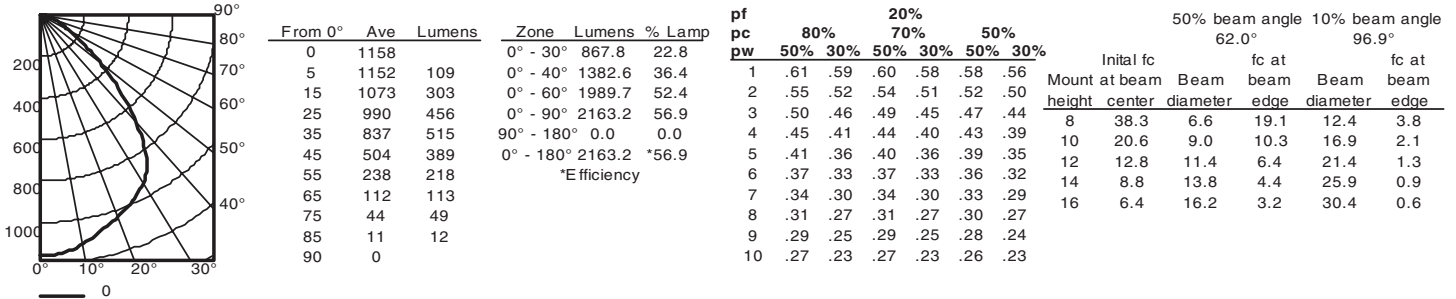
All dimensions are inches (centimeters) unless otherwise noted.



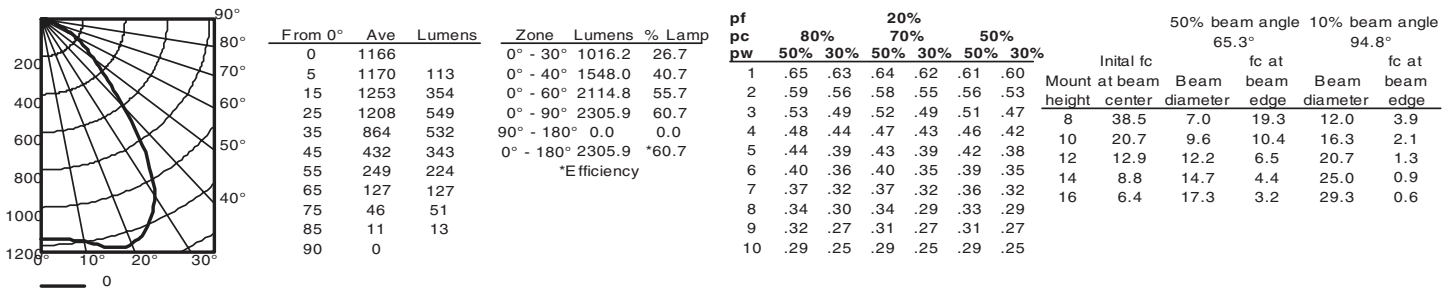
- Aperture: 7-7/8 (20.1)
- Ceiling Opening: 8-7/8 (22.5)
- Overlap Trim: 9-1/4 (27.5)

Distribution Curve Distribution Data Output Data Coefficient of Utilization Illuminance: Single Luminaire 30" Above Floor

LG 8RW T73 200W A23 LAMP, 1.2 S/MH, 3800 RATED LUMENS, TEST NO. LTL14201



LG 8RW FFL 200W A23 LAMP, 1.3 S/MH, 3800 RATED LUMENS, TEST NO. LTL14202



PHOTOMETRY NOTES

- Tested to current IES and NEMA standards under stabilized laboratory conditions.
- Actual performance may differ as a result of end-user environment and application.
- Consult factory or IES file for microgroove baffle, black cone or other photometric reports.