

Gotham Architectural Downlighting
Incandescent Downlights

6" LGZ
Round Lens

Wet Location
Horizontal A17 or A19 Lamp

FEATURES

OPTICAL SYSTEM

- Aluminum upper reflector coated with highly reflective white paint provides high efficiency and an evenly illuminated aperture appearance.
- Available with tempered prismatic lens (T73), flat Fresnel lens (FFL) or flat opal lens (FOL).
- Regressed white door (RW) or stepped black baffle (SB) are available with white painted flange provided.
- Door is retained by self-aligning, torsion support springs, preventing gaps between door and ceiling.

MECHANICAL SYSTEM

- 16-gauge galvanized steel mounting/plaster frame with integral yoke to retain optical system. Maximum 1-1/2" ceiling thickness.
- 16-gauge galvanized steel mounting bars with continuous 4" vertical adjustment are shipped pre-installed. Post installation adjustment possible without the use of tools from above or below ceiling.
- Galvanized steel junction box with hinged access covers and spring latch. Two combination 1/2"-3/4" and two 1/2" knockouts for straight-through conduit runs. Capacity: 8 (4 in, 4 out) No. 12 AWG conductors rated for 90°C.

ELECTRICAL SYSTEM

- Galvanized steel lampholder housing.
- Medium-base porcelain socket with nickel-plated screw shell.
- Thermally-activated insulation detector.

LISTING

- Fixtures are UL Listed for thru-branch wiring, non-IC recessed mounting and wet locations. Listed and labeled to comply with Canadian standards.

WARRANTY

- 1-year limited warranty. Complete warranty terms located at www.acuitybrands.com/CustomerResources/Terms_and_conditions.aspx

ORDERING INFORMATION

EXAMPLE: LGZ 6RW T73

Series ¹	Door frame	Lens type	Options
LGZ	6RW Regressed white door	T73 Tempered prismatic lens	CP Chicago plenum TRDA² Tamper resistant door assembly RRL³ RELOC®-ready luminaire. Provides compatibility with Lithonia RELOC system. Access above ceiling required. SDT 277 step-down transformer (277V to 120V) SDT347 347 step-down transformer (347V to 120V; 75W max.) GSKT Foam gasketing, ships uninstalled SF Single fuse
	6SB Stepped black baffle	FFL Flat fresnel lens	
		FOL Flat opal lens	

ACCESSORIES order as separate catalog numbers (shipped separately)

SCA6 Sloped ceiling adapter. Degree of slope must be specified (10D, 15D, 20D, 25D, 30D). Ex: SCA6 10D.

NOTES

ORDERING NOTES

1. Maximum wattage: 100W A17 or A19 lamp.
2. Uses Torx T20 rejection pin drive system. You may order RK1 T20DRV U Torx driver accessory.
3. For compatible RELOC systems, refer to [TECH-110](#).

6" LGZ

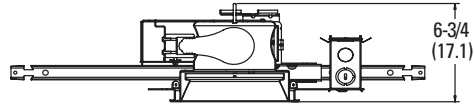
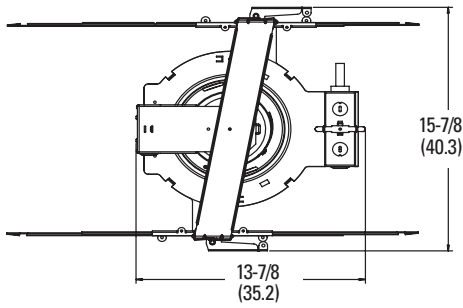
Round Lens

Wet Location, Horizontal A17 or A19 Lamp



DIMENSIONAL DATA

All dimensions are inches (centimeters) unless otherwise noted.

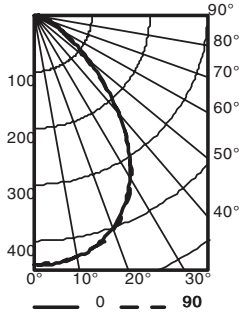


- Aperture: 6-1/4 (15.9)
- Ceiling Opening: 7-1/8 (18.1)
- Overlap Trim: 7-1/2 (19.1)

Distribution Curve Distribution Data Output Data Coefficient of Utilization Illuminance: Single Luminaire 30" Above Floor

LGZ 6RW T73

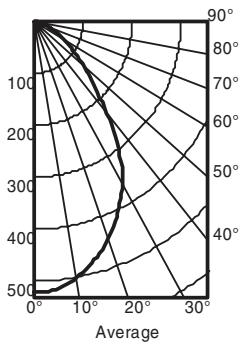
100W A19 LAMP, 1.1 S/MH, 1550 RATED LUMENS, TEST NO. LTL14177



From 0°	Ave	Lumens	Zone	Lumens	% Lamp	pf	20%				50% beam angle 10% beam angle						
							80%		70%		50%		58.8°		94.5°		
0	441		0° - 30°	328.4	21.2	pc	50%	30%	50%	30%	50%	30%	Initial fc	fc at	fc at	fc at	
5	440	42	0° - 40°	501.0	32.3	pw	50%	30%	50%	30%	50%	30%	Mount height	at beam center	Beam diameter	beam edge	Beam diameter
15	419	118	0° - 60°	700.7	45.2	1	.53	.51	.52	.50	.48	8	14.6	6.2	7.3	11.9	1.5
25	369	169	0° - 90°	758.6	48.9	2	.48	.45	.47	.44	.45	10	7.8	8.5	3.9	16.2	0.8
35	278	173	90° - 180°	0.0	0.0	3	.43	.40	.42	.39	.41	12	4.9	10.7	2.4	20.5	0.5
45	164	127	*Efficiency			4	.39	.35	.38	.35	.37	14	3.3	13.0	1.7	24.9	0.3
55	79	72				5	.36	.32	.35	.32	.34	16	2.4	15.2	1.2	29.2	0.2
65	38	38				6	.33	.29	.32	.29	.31						
75	14	16				7	.30	.26	.30	.26	.29						
85	3	4				8	.28	.24	.27	.24	.27						
90	0					9	.26	.22	.25	.22	.25						
						10	.24	.20	.24	.20	.23						

LGZ 6RW FFL

100W A19 LAMP, 1.1 S/MH, 1550 RATED LUMENS, TEST NO. LTL14178



From 0°	Ave	Lumens	Zone	Lumens	% Lamp	pf	20%				50% beam angle 10% beam angle						
							80%		70%		50%		56.0°		92.7°		
0	521		0° - 30°	368.4	23.8	pc	50%	30%	50%	30%	50%	30%	Initial fc	fc at	fc at	fc at	
5	517	49	0° - 40°	554.5	35.8	pw	50%	30%	50%	30%	50%	30%	Mount height	at beam center	Beam diameter	beam edge	Beam diameter
15	475	134	0° - 60°	775.2	50.0	1	.59	.57	.58	.56	.55	8	17.2	5.9	8.6	11.5	1.7
25	405	186	0° - 90°	849.9	54.8	2	.53	.50	.52	.49	.50	10	9.3	8.0	4.6	15.7	0.9
35	300	186	90° - 180°	0.0	0.0	3	.48	.44	.47	.44	.46	12	5.8	10.1	2.9	19.9	0.6
45	170	134	*Efficiency			4	.43	.39	.43	.39	.41	14	3.9	12.2	2.0	24.1	0.4
55	97	87				5	.40	.35	.39	.35	.38	16	2.9	14.4	1.4	28.3	0.3
65	50	50				6	.36	.32	.36	.32	.35						
75	19	20				7	.33	.29	.33	.29	.32						
85	4	5				8	.31	.27	.30	.27	.30						
90	0					9	.29	.25	.28	.24	.28						
						10	.27	.23	.26	.23	.26						

PHOTOMETRY NOTES

- Tested to current IES and NEMA standards under stabilized laboratory conditions.
- Actual performance may differ as a result of end-user environment and application.
- Consult factory or IES file for microgroove baffle, black cone or other photometric reports.