

Gotham Architectural Downlighting
Incandescent Downlights

11" LA
Square Lens

Wet Location, Horizontal Lamp
150W A21 or 200W A23

FEATURES

OPTICAL SYSTEM

- Diffused anodized aluminum reflector.
- Available with tempered prismatic lens (T73).

DOOR

- Die-cast aluminum regressed white door frame with gasketed flange.
- Self-aligning butterfly door support springs.

MECHANICAL SYSTEM

- Die-formed steel upper housing with white polyester powder paint.
- Expandable mounting bars provide horizontal and vertical adjustment.
- Galvanized steel junction box with bottom-hinged access covers and spring latches. Two combination 1/2"-3/4" and three 1/2" knockouts for straight-through conduit runs. Capacity: 8 (4 in, 4 out) No. 12 AWG conductors rated for 90°C.
- Patented adjustable aperture allows 1/4" adjustments in all directions and up to 5° of rotation, allowing post-installation adjustments to ensure trim-to-trim alignment.

ELECTRICAL SYSTEM

- Horizontally-mounted, medium-base porcelain socket with nickel-plated screw shell.
- Thermally-activated insulation detector.

LISTING

- Fixtures are UL Listed for thru-branch wiring, recessed mounting and wet locations. Listed and labeled to comply with Canadian Standards (see Options).

WARRANTY

- 1-year limited warranty. Complete warranty terms located at: www.acuitybrands.com/CustomerResources/Terms_and_conditions.aspx

ORDERING INFORMATION

EXAMPLE: LA 11RW T73

Series	Door frame	Lens type	Options
LA ¹	11RW Regressed white door	T73 Tempered prismatic lens	SDT 227V stepdown transformer (277V to 120V). Adds 4" to width of fixture SDT347 347V stepdown transformer (347V-120V). Adds 4" to width of fixture TRDA Tamper-resistant door assembly RRL RELOC®-ready luminaire. Provides compatibility with Lithonia RELOC system. Access above ceiling required.

ACCESSORIES order as separate catalog numbers (shipped separately)

BH24	24" steel bar hangers (2) for T-bar mounting.
LSMC	Set of 4 T-bar mounting clips for use with bar hangers supplied with unit.(Not for use with BH24).

NOTES

ORDERING NOTES

1. Maximum wattage is 200W A21-IF or A23-IF lamp.

11" LA

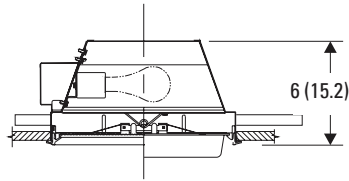
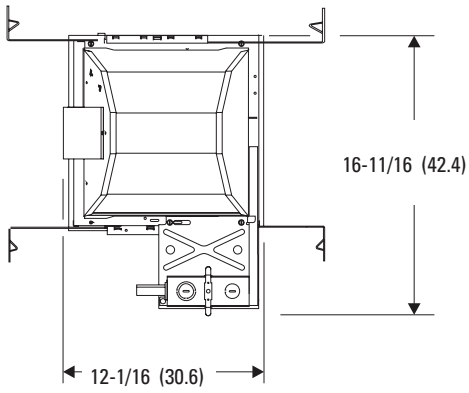
Square Lens

Wet Location, Horizontal Lamp, 150W A21 or 200W A23



DIMENSIONAL DATA

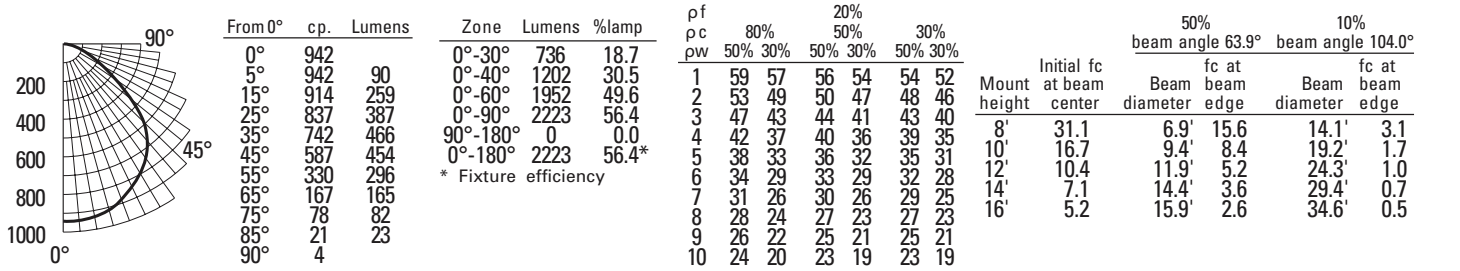
All dimensions are inches (centimeters) unless otherwise noted.



Aperture: 10-1/8 (27.0)
Ceiling opening: 11-1/4 (28.6)
Overlap trim: 11-5/8 (29.5)

Distribution Curve	Distribution Data	Output Data	Coefficient of Utilization	Illuminance: Single Luminaire 30" Above Floor
--------------------	-------------------	-------------	----------------------------	---

LA 11RW T73	200W/A23 LAMP, 1.3 S/MH, 3940 RATED LUMENS, TEST NO. 2187041503
--------------------	---



PHOTOMETRY NOTES
<ul style="list-style-type: none"> Tested to current IES and NEMA standards under stabilized laboratory conditions. Actual performance may differ as a result of end-user environment and application. Consult factory or IES file for microgroove baffle, black cone or other photometric reports.