

CLRF

Gotham Architectural Downlighting
Decorative Compact Fluorescent Downlights

6" PDXF
Ice™ Blade

Horizontal Lamp,
Triple-Tube

FEATURES

OPTICAL SYSTEM

- Reflector - Self-flanged, matte-finished clear anodized reflector. Fluted vertical upper section works in conjunction with patented Bounding Ray™ Optical Principle design (U.S. Patent No. 5,800,050) to provide lamp before lamp image and smooth transition from top of reflector to bottom. Minimum flange matches reflector finish. White painted flange optional.
- Cross Baffle - Clear acrylic cross baffle with surface that provides a decorative edge-glow appearance.
- Hinged lampdoor seals upper trim for optimal fixture efficiency and the reduction of stray light in the plenum.

MECHANICAL

- 16-gauge galvanized steel mounting/plaster frame with integral yoke to retain optical system. Maximum 1-1/2" ceiling thickness.
- 16-gauge galvanized steel mounting bars with continuous 4" vertical adjustment are shipped pre-installed. Post installation adjustment possible without the use of tools from above or below ceiling.

- Galvanized steel junction box with bottom-hinged access covers and spring latches. Two combination 1/2"- 3/4" and three 1/2" knockouts for straight-through conduit runs. Capacity: 8 (4 in, 4 out) No. 12 AWG conductors rated for 90°C.

ELECTRICAL SYSTEM

- Horizontally-mounted, positive-latch, thermoplastic socket.
- Class P, thermally protected, high power factor electronic ballast mounted to the junction box.

LISTING

- Fixtures are UL listed for thru-branch wiring, recessed mounting and damp locations. Listed and labeled to comply with Canadian standards.

WARRANTY

- 1-year limited warranty. Complete warranty terms located at www.acuitybrands.com/CustomerResources/Terms_and_conditions.aspx

ORDERING INFORMATION

EXAMPLE: PDXF 1/32TRT 6AR CLRF MVOLT

Series	Lamp/Wattage	Trim color	Baffle type	Voltage	Ballast ²	Options
PDXF	1/18TRT	6AR Clear	CLRF Clear flush	MVOLT ¹	(blank) GEB10 standard, electronic ballast	TRW White painted flange WLP With 35 K lamp (shipped separately) RRL⁴ RELOC®-ready luminaire. Provides compatibility with Lithonia RELOC system. Access above ceiling required. GMF⁵ Single, slow-blow fuse GLR⁵ Single, fast-blow fuse RIF Radio interference filter ELR⁶ Emergency battery pack. Remote test switch provided. QDS Quick disconnect for easy ballast replacement. GSKT 1/8" X 3/8" foam, adhesive backed gasketing; shipped uninstalled. CSA Listed and labeled to comply with Canadian Standards. CP Chicago plenum CAL Clear acrylic lens. For use where enclosed fixture is required. NEPP Interface for Sensor Switch® nLight® network with integral power supply. Refer to TN-623-01.
	1/26TRT			120	ECOS Lutron EcoSystem® electronic dimming ballast. Minimum dimming level 5%.	
	1/32TRT			277	CLRR Clear round	
	1/42TRT			347	CLRA Clear angular	
					ADEZ ³ Advance Mark 10® electronic dimming ballast	
					ADZT Advance Mark 7® electronic 0-10 VDC dimming ballast	

ACCESSORIES order as separate catalog numbers (shipped separately)

SCA6FL Sloped ceiling adapter. Degree of slope must be specified (10D, 15D, 20D, 25D, 30D). Ex: SCA6FL 10D.

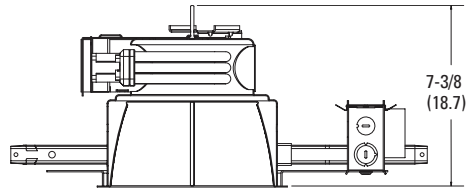
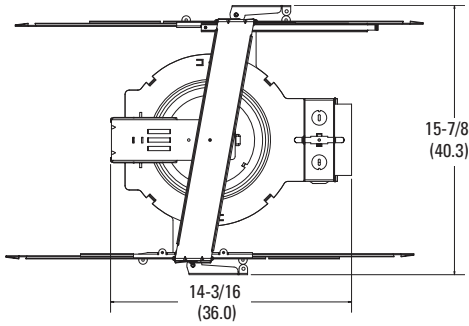
NOTES

ORDERING NOTES

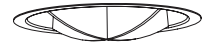
- Multi-volt electronic ballast capable of operating on any line voltage from 120V through 277V, 50 or 60 HZ.
- For additional ballast types, refer to [TECH-250](#).
- Specify 120V or 277V only.
- For compatible RELOC systems, refer to [TECH-110](#).
- Not available with MVOLT.
- For dimensional changes, refer to [TECH-140](#). Not available with QDS or CP options.

DIMENSIONAL DATA

All dimensions are inches (centimeters) unless otherwise noted.



Aperture: 6-1/4 (15.9)
 Ceiling Opening: 7-1/8 (18.1)
 Overlap Trim: 7-1/2 (19.1)



CLRR

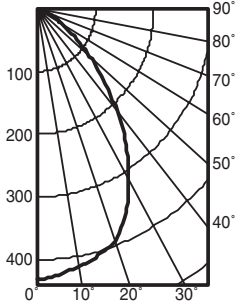


CLRA

Distribution Curve Distribution Data Output Data Coefficient of Utilization Illuminance: Single Luminaire 30" Above Floor

PDXF 1/26TRT 6AR CLRF

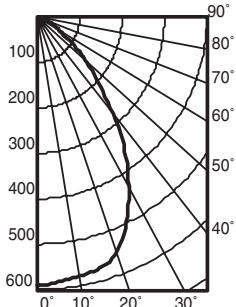
(1) CF26DT/E/IN/835, 1800 lumens per lamp, test no. LTL11857



From 0°	Ave	Lumens	Zone	Lumens	% Lamp	pf	80%		20%		50%		50% beam angle		10% beam angle			
							50%	30%	50%	30%	50%	30%	58.2°	94.7°				
0	431		0° - 30°	318.8	17.7	pc												
5	426	40	0° - 40°	483.9	26.9	pw	.44	.42	.43	.42	.41	.40	Initial fc	fc at	fc at			
15	406	115	0° - 60°	678.3	37.7		2	.40	.37	.39	.37	.36	Mount at beam	Beam	beam	Beam	fc at	
25	359	164	0° - 90°	731.3	40.6		3	.36	.33	.35	.33	.34	height	center	diameter	diameter	edge	
35	266	165	90° - 180°	1.3	0.1		4	.32	.30	.32	.29	.31	8	14.2	6.1	7.1	11.9	1.4
45	160	124	0° - 180°	732.6	*40.7		5	.30	.27	.29	.26	.28	10	7.7	8.3	3.8	16.3	0.8
55	77	70					6	.27	.24	.27	.24	.26	12	4.8	10.6	2.4	20.6	0.5
65	32	33					7	.25	.22	.25	.22	.24	14	3.3	12.8	1.6	25.0	0.3
75	14	15					8	.23	.20	.23	.20	.22	16	2.4	15.0	1.2	29.3	0.2
85	5	5					9	.21	.18	.21	.18	.21						
90	2						10	.20	.17	.20	.17	.19						

PDXF 1/32TRT 6AR CLRF

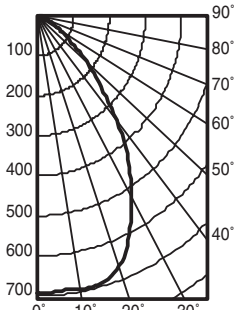
(1) CF32DT/E/IN/835, 2400 lumens per lamp, test no. LTL11855



From 0°	Ave	Lumens	Zone	Lumens	% Lamp	pf	80%		20%		50%		50% beam angle		10% beam angle			
							50%	30%	50%	30%	50%	30%	58.3°	93.4°				
0	590		0° - 30°	444.1	18.5	pc												
5	585	56	0° - 40°	667.0	27.8	pw	.44	.43	.43	.42	.42	.41	Initial fc	fc at	fc at			
15	572	161	0° - 60°	915.5	38.1		2	.40	.38	.39	.37	.36	Mount at beam	Beam	beam	Beam	fc at	
25	499	228	0° - 90°	984.3	41.0		3	.36	.34	.36	.33	.34	height	center	diameter	diameter	edge	
35	360	223	90° - 180°	1.6	0.1		4	.33	.30	.32	.30	.31	8	19.5	6.1	9.8	11.7	1.9
45	203	159	0° - 180°	985.9	*41.1		5	.30	.27	.30	.27	.29	10	10.5	8.4	5.2	15.9	1.0
55	98	90					6	.28	.25	.27	.24	.27	12	6.5	10.6	3.3	20.2	0.7
65	42	42					7	.25	.22	.25	.22	.25	14	4.5	12.8	2.2	24.4	0.4
75	18	19					8	.24	.21	.23	.20	.23	16	3.2	15.0	1.6	28.7	0.3
85	6	7					9	.22	.19	.22	.19	.21						
90	3						10	.20	.17	.20	.17	.20						

PDXF 1/42TRT 6AR CLRF

(1) CF42DT/E/IN/835, 3200 lumens per lamp, test no. LTL11856



From 0°	Ave	Lumens	Zone	Lumens	% Lamp	pf	80%		20%		50%		50% beam angle		10% beam angle			
							50%	30%	50%	30%	50%	30%	59.4°	94.1°				
0	692		0° - 30°	535.8	16.7	pc												
5	691	66	0° - 40°	808.2	25.3	pw	.40	.39	.39	.38	.38	.37	Initial fc	fc at	fc at			
15	692	194	0° - 60°	1110.5	34.7		2	.36	.34	.36	.34	.33	Mount at beam	Beam	beam	Beam	fc at	
25	604	276	0° - 90°	1193.3	37.3		3	.33	.31	.32	.30	.31	height	center	diameter	diameter	edge	
35	441	272	90° - 180°	1.8	0.1		4	.30	.27	.29	.27	.29	8	22.9	6.3	11.4	11.8	2.3
45	250	195	0° - 180°	1195.1	*37.3		5	.27	.25	.27	.24	.26	10	12.3	8.6	6.2	16.1	1.2
55	117	108					6	.25	.22	.25	.22	.24	12	7.7	10.8	3.8	20.4	0.8
65	50	51					7	.23	.20	.23	.20	.22	14	5.2	13.1	2.6	24.7	0.5
75	22	23					8	.21	.19	.21	.19	.21	16	3.8	15.4	1.9	29.0	0.4
85	7	8					9	.20	.17	.20	.17	.19						
90	3						10	.18	.16	.18	.16	.18						

PHOTOMETRY NOTES

- Tested to current IES and NEMA standards under stabilized laboratory conditions.
- Actual performance may differ as a result of end-user environment and application.
- Consult factory or IES file for microgroove baffle, black cone or other photometric reports.