



Gotham Architectural Downlighting  
International Decorative Compact Fluorescent Downlights

**PDTFI**  
**20.3cm (8'') Ice™ Turbo**

Horizontal Triple-Tube Lamp

FEATURES

**OPTICAL SYSTEM**

- Reflector - Self-flanged, matte-finished clear anodized reflector. Fluted vertical upper section works in conjunction with patented Bounding Ray™ Optical Principle design (U.S. Patent No. 5,800,050) to provide lamp before lamp image and smooth transition from top of reflector to bottom. Minimum flange matches reflector finish. White painted flange optional.
- Turbo Baffle - Clear acrylic, three-spoke turbo baffle with surface that provides a decorative edge-glow appearance.
- Hinged lampdoor provided for optimal fixture efficiency and the reduction of stray light in the plenum.

**MECHANICAL**

- Pre-wired galvanized steel junction box mount to reflector provided with removable access cover. No. 12 AWG conductors rated for 90°C.
- Three (3) swinggate brackets allow for installation from below the ceiling. Suitable for ceiling thickness ranging from 1.59cm (5/8'') to 2.54cm (1'').

**ELECTRICAL SYSTEM**

- Horizontally-mounted, positive-latch, thermoplastic socket(s).
- Thermally protected, high power factor electronic ballast (50/60Hz) mounted to the junction box.
- Eurostyle terminal block included for power supply and ground connections required for CE.

**LISTING**

- MVOLT, 120V and 277V fixtures are UL Listed, non-IC recessed mounting and damp locations. 220V and 240V fixtures are CE Certified and rated IP20.

**WARRANTY**

- 1-year limited warranty. Complete warranty terms located at: [www.acuitybrands.com/CustomerResources/Terms\\_and\\_conditions.aspx](http://www.acuitybrands.com/CustomerResources/Terms_and_conditions.aspx)

ORDERING INFORMATION

**EXAMPLE: PDTFI 1/32TRT 8AR MVOLT**

Series	Lamp/Wattage	Aperture/Trim	Voltage	Ballast	Options
PDTFI	1/18TRT	8AR Clear	MVOLT <sup>1,2</sup>	(blank) Electronic ballast	<b>TRW</b> White painted flange <b>WLP</b> With 3500 K lamp (shipped separately) <b>GMF<sup>4</sup></b> Single, slow-blow fuse <b>GLR<sup>4</sup></b> Single, fast-blow fuse <b>GSKT</b> Foam gasketing, ships uninstalled
	1/26TRT		120 <sup>2</sup>	ADEZ <sup>4</sup> Advance Mark 10 <sup>®</sup> electronic dimming ballast. Minimum dimming level 5%	
	1/32TRT		220 <sup>3</sup>	ADZT <sup>4</sup> Advance Mark 7 <sup>®</sup> electronic 0-10V DC dimming ballast. Minimum dimming level 3%	
	1/42TRT		240 <sup>3</sup>		
	2/18TRT		277 <sup>2</sup>	ECOS Lutron EcoSystem <sup>®</sup> electronic dimming ballast. Minimum dimming level 5%.	
	2/26TRT		VDB <sup>5</sup> Vossloh 0-10V dimming ballast		
	2/32TRT				
	2/42TRT				

NOTES

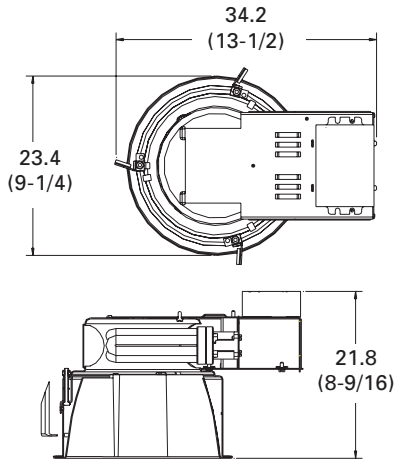
**ORDERING NOTES**

1. Multi-volt electronic ballast capable of operating on any line voltage from 120V through 277V, 50 or 60Hz.
2. Available with UL listing only. 120-277V, 50/60Hz.
3. Available with CE listing only. 220-240V, 50/60Hz.
4. Available in 120V or 277V only.
5. Available in 220V or 240V only.

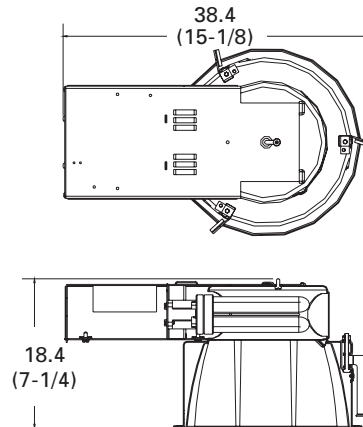
DIMENSIONAL DATA

All dimensions are centimeters (inches) unless otherwise noted.

UL Listed



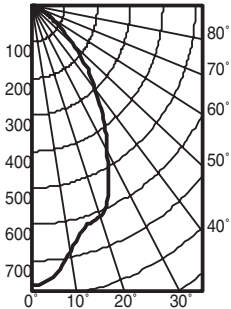
CE Certified



Aperture: 20.0 (7-7/8)  
Ceiling Opening: 21.9 (8-5/8)  
Overlap Trim: 23.5 (9-1/4)

Distribution Curve    Distribution Data    Output Data    Coefficient of Utilization    Illuminance: Single Luminaire 30" Above Floor

**PDTFI 1/32TRT 8AR**    (1) CF32DT/E/IN/835, 2400 lumens per lamp, Test no. LTL11858

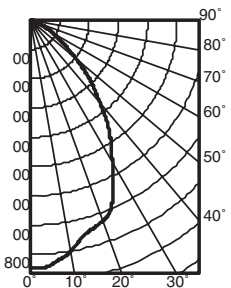


From 0°	Ave	Lumens	Zone	Lumens	% Lamp
0	767		0° - 30°	499.5	20.8
5	746	69	0° - 40°	736.0	30.7
15	629	179	0° - 60°	1012.1	42.2
25	555	251	0° - 90°	1078.1	44.9
35	381	237	90° - 180°	0.0	0.0
45	235	179	0° - 180°	1078.1	*44.9
55	106	97			*Efficiency
65	44	44			
75	16	17			
85	3	4			
90	0				

pf	pc	20%					
		80%		70%		50%	
pw		50%	30%	50%	30%	50%	30%
		1		.49	.47	.48	.46
2		.44	.42	.43	.41	.42	.40
3		.40	.37	.39	.37	.38	.36
4		.36	.33	.36	.33	.35	.32
5		.33	.30	.33	.30	.32	.29
6		.31	.27	.30	.27	.29	.27
7		.28	.25	.28	.25	.27	.24
8		.26	.23	.26	.23	.25	.22
9		.24	.21	.24	.21	.24	.21
10		.23	.19	.22	.19	.22	.19

Mount height	50% beam angle 52.4°		10% beam angle 91.4°	
	Initial fc at beam center	Beam diameter	fc at beam edge	Beam diameter
8	25.4	5.4	12.7	11.3
10	13.6	7.4	6.8	15.4
12	8.5	9.4	4.3	19.5
14	5.8	11.3	2.9	23.6
16	4.2	13.3	2.1	27.7

**PDTFI 1/42TRT 8AR**    (1) CF42DT/E/IN/835, 3200 lumens per lamp, Test no. LTL11899

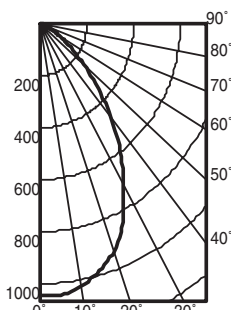


From 0°	Ave	Lumens	Zone	Lumens	% Lamp
0	843		0° - 30°	594.2	18.6
5	838	79	0° - 40°	885.9	27.7
15	750	213	0° - 60°	1228.8	38.4
25	667	302	0° - 90°	1319.9	41.2
35	472	292	90° - 180°	0.0	0.0
45	287	219	0° - 180°	1319.9	*41.2
55	135	124			*Efficiency
65	59	60			
75	23	25			
85	5	6			
90	0				

pf	pc	20%					
		80%		70%		50%	
pw		50%	30%	50%	30%	50%	30%
		1		.45	.43	.44	.42
2		.40	.38	.39	.37	.38	.36
3		.36	.34	.36	.33	.35	.33
4		.33	.30	.33	.30	.32	.29
5		.30	.27	.30	.27	.29	.26
6		.28	.25	.27	.24	.27	.24
7		.26	.22	.25	.22	.25	.22
8		.24	.21	.23	.20	.23	.20
9		.22	.19	.22	.19	.21	.19
10		.20	.18	.20	.17	.20	.17

Mount height	50% beam angle 55.5°		10% beam angle 93.2°	
	Initial fc at beam center	Beam diameter	fc at beam edge	Beam diameter
8	27.9	5.8	13.9	11.6
10	15.0	7.9	7.5	15.9
12	9.3	10.0	4.7	20.1
14	6.4	12.1	3.2	24.3
16	4.6	14.2	2.3	28.5

**PDTFI 2/32TRT 8AR,**    (2) CF32DT/E/IN/835, 2400 lumens per lamp, Test no. LTL11861

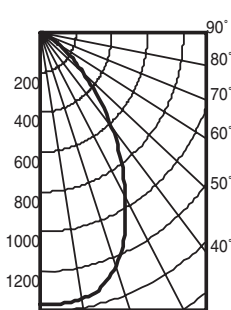


From 0°	Ave	Lumens	Zone	Lumens	% Lamp
0	1042		0° - 30°	756.8	15.8
5	1048	99	0° - 40°	1127.9	23.5
15	983	276	0° - 60°	1545.7	32.2
25	839	382	0° - 90°	1645.2	34.3
35	597	371	90° - 180°	0.0	0.0
45	352	272	0° - 180°	1645.2	*34.3
55	158	146			*Efficiency
65	65	67			
75	24	27			
85	5	6			
90	0				

pf	pc	20%					
		80%		70%		50%	
pw		50%	30%	50%	30%	50%	30%
		1		.37	.36	.36	.35
2		.34	.32	.33	.31	.32	.30
3		.30	.28	.30	.28	.29	.27
4		.28	.25	.27	.25	.27	.25
5		.25	.23	.25	.23	.24	.22
6		.23	.21	.23	.21	.22	.20
7		.21	.19	.21	.19	.21	.19
8		.20	.17	.20	.17	.19	.17
9		.18	.16	.18	.16	.18	.16
10		.17	.15	.17	.15	.17	.15

Mount height	50% beam angle 56.3°		10% beam angle 92.9°	
	Initial fc at beam center	Beam diameter	fc at beam edge	Beam diameter
8	34.4	5.9	17.2	11.6
10	18.5	8.0	9.3	15.8
12	11.5	10.2	5.8	20.0
14	7.9	12.3	3.9	24.2
16	5.7	14.5	2.9	28.4

**PDTFI 2/42TRT 8AR**    (2) CF42DT/E/IN/835, 3200 lumens per lamp, Test no. LTL11860



From 0°	Ave	Lumens	Zone	Lumens	% Lamp
0	1359		0° - 30°	1009.3	15.8
5	1365	130	0° - 40°	1500.8	23.5
15	1322	370	0° - 60°	2044.8	32.0
25	1119	509	0° - 90°	2173.9	34.0
35	792	492	90° - 180°	0.0	0.0
45	461	355	0° - 180°	2173.9	*34.0
55	205	189			*Efficiency
65	85	86			
75	32	34			
85	7	8			
90	0				

pf	pc	20%					
		80%		70%		50%	
pw		50%	30%	50%	30%	50%	30%
		1		.37	.36	.36	.35
2		.33	.32	.33	.31	.32	.30
3		.30	.28	.30	.28	.29	.27
4		.28	.25	.27	.25	.26	.24
5		.25	.23	.25	.22	.24	.22
6		.23	.21	.23	.20	.22	.20
7		.21	.19	.21	.19	.21	.18
8		.20	.17	.20	.17	.19	.17
9		.18	.16	.18	.16	.18	.16
10		.17	.15	.17	.15	.17	.15

Mount height	50% beam angle 57.0°		10% beam angle 92.9°	
	Initial fc at beam center	Beam diameter	fc at beam edge	Beam diameter
8	44.9	6.0	22.5	11.6
10	24.2	8.1	12.1	15.8
12	15.1	10.3	7.5	20.0
14	10.3	12.5	5.1	24.2
16	7.5	14.7	3.7	28.4

**PHOTOMETRY NOTES**

- Tested to current IES and NEMA standards under stabilized laboratory conditions.
- Actual performance may differ as a result of end-user environment and application.
- Consult factory or IES file for microgroove baffle, black cone or other photometric reports.