

Gotham Architectural Downlighting
Compact Fluorescent Downlights

8" AFZW
Cross Baffle Trim

Low Profile
Double Twin-Tube

FEATURES

OPTICAL SYSTEM

- Specular clear upper reflector.
- Self-flanged semi-specular or matte-diffuse cross baffle reflector. Asymmetric baffle provides precise shielding and brightness control on room side and high-angle vertical illumination on the wall. Minimum flange matches cone finish.
- Optical system retained by self-align, torsion support springs.

MECHANICAL SYSTEM

- 16-gauge galvanized steel construction; maximum 7/8" ceiling thickness.
- Telescopic mounting bars maximum of 32" and minimum of 15", preinstalled, 4" vertical adjustment.
- Toolless post-installation adjustments.
- Junction box capacity: 8 (4 in, 4 out) 12AWG rated for 90°C.

ELECTRICAL SYSTEM

- Die-cast aluminum socket housing. Ventilated top for effective heat dissipation.
- Horizontally mounted, four-pin, positive latch, thermoplastic sockets.
- Class P, thermally protected, high-power-factor electronic ballast mounted to the junction box.
- SIMPLY5™ technology available.

LISTING

- Fixtures are UL Listed for thru-branch wiring, non-IC recessed mounting and damp locations. Listed and labeled to comply with Canadian standards.

WARRANTY

- 1-year limited warranty. Complete warranty terms located at www.acuitybrands.com/CustomerResources/Terms_and_conditions.aspx

ORDERING INFORMATION

EXAMPLE: AFZW 2/26DTT 84A MVOLT

Series	Wattage/Lamp	Aperture/Trim color	Finish	Voltage	Ballast ³
AFZW	2/13DTT	84A Clear	(blank) Semi-specular	MVOLT ²	(blank) Electronic ballast
	2/18DTT	84P Pewter	LD Matte-diffuse	120	ECOS ^{2,4} Lutron® EcoSystem® electronic dimming ballast. Minimum dimming level 5%
	2/26DTT	84WT Wheat		277	ADEZ ^{4,5} Advance Mark 10® electronic dimming ballast. Minimum dimming level 5%
		84W ¹ White painted		347	ADZT ² Advance Mark 7® electronic dimming ballast. Minimum dimming level 5%

Options

WLP	With 3500 K lamp (shipped separately)	GSKT	Foam gasketing
TRW	White painted flange	RRL⁷	RELOC®-ready luminaire. Provides compatibility with Lithonia Reloc system. Access above ceiling required.
TRBL	Black painted flange	BDP⁸	Ballast disconnect plug
ELR^{5,6}	Emergency battery pack with remote test switch	NEPP	Interface for Sensor Switch® nLight® network with integral power supply. Refer to TN-623-01.
ELRHL^{5,6}	High-lumen-output emergency battery pack with remote test switch	HW	Hardwire for S5 system; replaces RELOC®
GMF⁵	Single, slow-blow fuse	WRL⁹	Wattage restriction label
GLR⁵	Single, fast-blow fuse	TWS	Twist lock socket

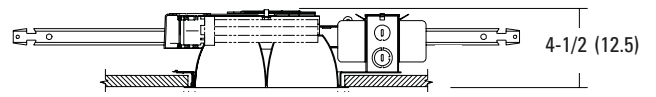
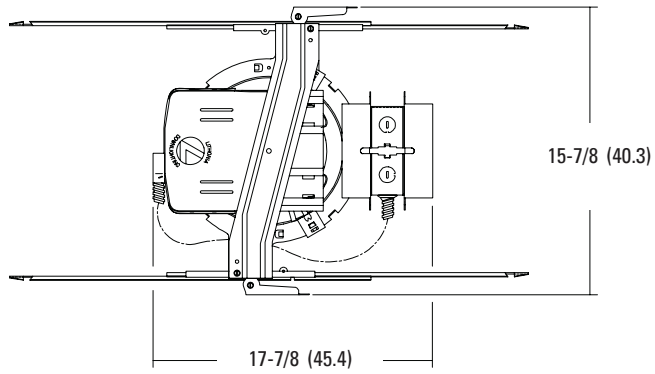
NOTES

ORDERING NOTES

1. Not available with finishes.
2. Multi-volt electronic ballast capable of operating on any voltage from 120V through 277V, 50 or 60 Hz.
3. For additional ballast types, refer to [TECH-250](#).
4. Not available with 13DTT or 347V.
5. Available in 120V or 277V only.
6. For dimensional changes, refer to [TECH-140](#).
7. For compatible RELOC systems, refer to [TECH-110](#).
8. Meets codes that require in-fixture disconnect.
9. Must specify wattage: Ex.: WRL18

DIMENSIONAL DATA

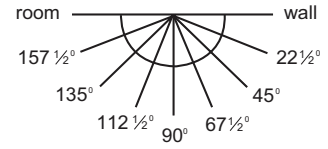
All dimensions are inches (centimeters) unless otherwise noted.



Aperture: 8 (20.3)
Ceiling opening: 8-5/8 (21.9)
Overlap trim: 9-1/4 (23.5)

TECHNICAL INFORMATION

Footcandle values are initial and tables are based on minimum of six units. For fixture-to-wall distance other than those shown, use maximum of one-to-one spacing (distance between fixtures not more than distance to wall) for best results.



Fixture/Lamp	Candlepower Data	Footcandle values
--------------	------------------	-------------------

AFZW 2/26DTT 84A
(2) PL-C 26W/27K lamps
3600 total rated lumens
Test No. 2193122101

	Wall	Plane Angle						
		22.5	45	67.5	90	112.5	135	157.5
0	1157	1157	1157	1157	1157	1157	1157	1157
5	1126	1121	1129	1143	1156	1189	1217	1245
15	1104	1106	1069	1056	1093	1170	1247	1335
25	1023	1042	842	861	866	901	1114	1170
35	734	680	525	456	498	528	525	559
45	516	404	222	159	150	177	125	102
55	255	185	48	35	9	21	1	0
65	129	92	8	0	0	0	0	0
75	63	45	0	0	0	0	0	0
85	26	4	0	0	0	0	0	0
90	0	0	0	0	0	0	0	0

Wallwash Illuminance Study (fc)						
Illuminance on wall from 6 luminaires						
ft. from ceiling	Luminaire mounted 3 ft. from wall			Luminaire mounted 4 ft. from wall		
	3 ft. between luminaires	3.5	4	3 ft. between luminaires	3.5	4
1	9	6	9	3	2	3
2	15	12	15	6	5	6
3	22	19	22	11	8	11
4	22	22	22	13	11	13
5	21	21	21	13	12	13
6	19	19	19	12	12	12
7	16	17	16	12	12	12
8	13	14	13	10	11	10
9	11	11	11	9	10	9
10	9	9	9	8	8	8
11	8	8	8	7	7	7
12	7	7	7	6	6	6

PHOTOMETRY NOTES

- Tested to current IES and NEMA standards under stabilized laboratory condition.
- Actual performance may differ as a result of end-user environment and application.
- Consult factory or IES file for microgroove baffle, black cone or other photometric reports.