

Gotham Architectural Downlighting  
Compact Fluorescent Downlights

**10" AF**  
**Open Reflector**

Horizontal Lamp  
Triple-Tube

FEATURES

**OPTICAL SYSTEM**

- Self-flanged, semi-specular or matte-diffuse reflector. Patented Bounding Ray™ Optical Principle design (US Patent No. 5,800,050). Minimum flange matches reflector finish.
- Baffle/cone: Specular clear upper reflector. Microgroove baffle with white painted flange or specular black cone with flange that matches cone finish.
- Hinged lampdoor seals upper trim for optimal fixture efficiency and the reduction of stray light in the plenum.

**MECHANICAL SYSTEM**

- 16-gauge galvanized steel construction; maximum 2-1/4" ceiling thickness.
- Telescopic mounting bars maximum of 32" and minimum of 15", preinstalled, 4" vertical adjustment.
- Toolless post-installation adjustments.
- Junction box capacity: 8 (4 in, 4 out) 12AWG rated for 90°C.

**ELECTRICAL SYSTEM**

- Horizontally mounted, four-pin, positive-latch, thermoplastic socket(s).
- Class P, thermally protected high-power-factor electronic ballast(s) mounted to the junction box (CP and EL ballast mounted on ballast tray).
- SIMPLY5™ technology available.

**LISTING**

- Fixtures are UL Listed for thru-branch wiring, recessed mounting and damp locations. Listed and labeled to comply with Canadian standards (see Options).

**WARRANTY**

- 1-year limited warranty. Complete warranty terms located at [www.acuitybrands.com/CustomerResources/Terms\\_and\\_conditions.aspx](http://www.acuitybrands.com/CustomerResources/Terms_and_conditions.aspx)

ORDERING INFORMATION

**EXAMPLE: AF 3/42TRT 10AR MVOLT**

Series	Wattage/Lamp	Aperture/Trim color	Finish	Lens type	Voltage	Ballast	
AF	1/18TRT 2/32TRT	10AR Clear	(blank) Semi-specular	(blank) No lens	MVOLT <sup>3</sup>	(blank) Electronic ballast	
	1/26TRT 2/42TRT	10PR Pewter	LD Matte-diffuse	CGL Clear glass lens	120	ECOS <sup>3,4</sup> Lutron® EcoSystem® electronic dimming ballast. Minimum dimming level 5%	
	1/32TRT 2/57TRT	10WTR Wheat		PCL <sup>2</sup> Clear polycarbonate lens	277	ADEZ <sup>4,5</sup> Advance Mark 10® electronic dimming ballast. Minimum dimming level 5%	
	1/42TRT 3/18TRT	10WR <sup>1</sup> White painted		T73 Tempered prismatic lens	347	ADZT <sup>3</sup> Advance Mark 7® electronic dimming ballast. Minimum dimming level 5%	
	1/57TRT 3/26TRT	10MB <sup>1</sup> Black baffle		PPC <sup>2</sup> Prismatic polycarbonate lens			
	2/18TRT 3/32TRT	10BC <sup>1</sup> Black cone					
	2/26TRT 3/42TRT	10WB <sup>1</sup> White baffle					

Options

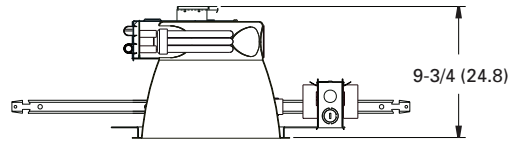
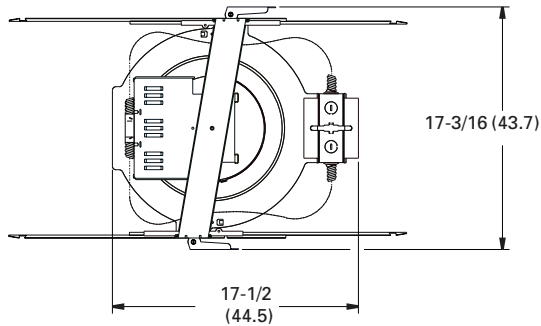
<b>WLP</b>	With 3500 K lamp (shipped separately)	<b>DS</b>	Dual switching. Standard on 3-lamp fixtures
<b>TRW</b>	White painted flange	<b>RRL<sup>7</sup></b>	RELOC®-ready luminaire. Provides compatibility with Lithonia RELOC system. Access above ceiling required.
<b>TRBL</b>	Black painted flange	<b>HW</b>	Hardwire for S5 system; replaces RELOC®
<b>EL<sup>5</sup></b>	Emergency battery pack with integral test switch. Not available with lens	<b>CP<sup>8</sup></b>	Chicago plenum (consult factory)
<b>ELR<sup>5</sup></b>	Emergency battery pack with remote test switch	<b>NEPP</b>	Interface for Sensor Switch® nLight® network with integral power supply. Refer to TN-623-01.
<b>ELHL<sup>6</sup></b>	High-lumen-output emergency battery pack with integral test switch	<b>WL</b>	Wet location; lens required
<b>ELRHL<sup>6</sup></b>	High-lumen-output emergency battery pack with remote test switch	<b>WRL<sup>9</sup></b>	Wattage restriction label
<b>GMF<sup>5</sup></b>	Single, slow-blow fuse	<b>TWS</b>	Twist lock socket
<b>GLR<sup>5</sup></b>	Single, fast-blow fuse		

ACCESSORIES order as separate catalog numbers (shipped separately)

**SCA10** Sloped ceiling adapter. Degree of slope must be specified (10D, 15D, 20D, 25D, 30D). Ex: SCA10 10D.

DIMENSIONAL DATA

All dimensions are inches (centimeters) unless otherwise noted.



Aperture: 9-3/4 (24.8)  
 Ceiling Opening: 10-1/2 (26.7)  
 Overlap Trim: 11-1/8 (28.3)  
 Lens recess: 3 (7.6)

ELECTRICAL

**ENERGY**

LER.DOL	Annual Energy Cost	Lamps	Lamp Lumens	Ballast Factor	Input Watts
43	\$5.55	2/42TRT	6400	.98	90

Calculated in accordance with NEMA standard LE-5.

NOTES

**ORDERING NOTES**

- |   |  |
|---|--|
| <ol style="list-style-type: none"> <li>1. Not available with finishes.</li> <li>2. Lens position below optical break.</li> <li>3. Multi-volt electronic ballast capable of operating on any voltage from 120V through 277V, 50 or 60 Hz.</li> <li>4. Not available with 57W.</li> <li>5. Available in 120V or 277V only.</li> </ol> | <ol style="list-style-type: none"> <li>6. For dimensional changes, refer to <a href="#">TECH-140</a>.</li> <li>7. For compatible RELOC systems, refer to <a href="#">TECH-110</a>.</li> <li>8. Not available with emergency options.</li> <li>9. Must specify wattage. Ex.: WRL32</li> </ol> |
|---|--|

