

Gotham Architectural Downlighting
Compact Fluorescent Downlights

6" AF
Open Reflector

Horizontal Lamp
Double Twin-Tube



FEATURES

OPTICAL SYSTEM

- Self-flanged, semi-specular, matte-diffuse, or specular reflector. Patented Bounding Ray™ Optical Principle design (U.S. Patent No. 5,800,050). Minimum flange matches reflector finish.

MECHANICAL SYSTEM

- 16-gauge galvanized steel construction; maximum 2-1/4" ceiling thickness.
- Telescopic mounting bars maximum of 32" and minimum of 15", preinstalled, 4" vertical adjustment.
- Toolless post-installation adjustments.
- Junction box capacity: 8 (4 in, 4 out) 12AWG rated for 90°C.

ELECTRICAL SYSTEM

- Horizontally mounted, positive-latch, thermoplastic socket.
- Class P, thermally protected, high-power-factor electronic ballast mounted to the junction box.

LISTING

- Fixtures are UL Listed for thru-branch wiring, non-IC recessed mounting and damp locations. Listed and labeled to comply with Canadian standards.

WARRANTY

- 1-year limited warranty. Complete warranty terms located at www.acuitybrands.com/CustomerResources/Terms_and_conditions.aspx

EXAMPLE: AF 2/18DTT 6AR MVOLT

Series	Wattage/Lamp	Aperture/Trim color	Finish	Lens type	Voltage	Ballast ³
AF	1/13DTT	6AR Clear	(blank) Semi-specular	(blank) No lens	MVOLT ²	(blank) Electronic ballast
	2/13DTT	6PR Pewter	LD Matte-diffuse	CGL Clear glass lens	120	ECOS ^{2,4} Lutron® EcoSystem® electronic dimming ballast. Minimum dimming level 5%
	1/18DTT	6WTR Wheat		CAL Clear acrylic lens	277	ADEZ ^{4,5} Advance Mark 10® electronic dimming ballast. Minimum dimming level 5%
	2/18DTT	6BC ¹ Black cone		PCL Clear polycarbonate lens	347	ADZT ² Advance Mark 7® electronic dimming ballast. Minimum dimming level 5%
	1/26DTT	6MB ¹ Black baffle		PPC Prismatic polycarbonate lens		
	2/26DTT	6WR ¹ White painted		FOL Flat opal lens		
		6WB ¹ White baffle				

Options

DS	Dual switching	TRBL	Black painted flange
EL⁶	Emergency battery pack with integral test switch	RRL⁷	RELOC®-ready luminaire. Provides compatibility with Lithonia RELOC system. Access above ceiling required.
ELR⁶	Emergency battery pack with remote test switch	CP⁸	Chicago plenum
ELHL⁶	High-lumen-output emergency battery pack with integral test switch	BDP^{8,9}	Ballast disconnect plug
ELRHL⁶	High-lumen-output emergency battery pack with remote test switch	NPP16D EFP	nLight network power/relay pack with 0-10V dimming.
GMF⁵	Single, slow-blow fuse	NPP16D ER EFP	nLight network power/relay pack with 0-10V dimming. ER controls fixtures on emergency circuit.
GLR⁵	Single, fast-blow fuse	WL	Wet location; lens required
WLP	With 3500 K lamp (shipped separately)	WRL¹⁰	Wattage restriction label
TRW	White painted flange (standard on MB and WB)	TWS	Twist lock socket

ACCESSORIES order as separate catalog numbers (shipped separately)

SCA6 Sloped ceiling adapter. Degree of slope must be specified (10D, 15D, 20D, 25D, 30D). Ex: SCA6 10D.

ORDERING INFORMATION

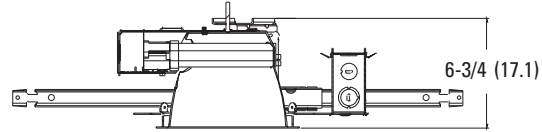
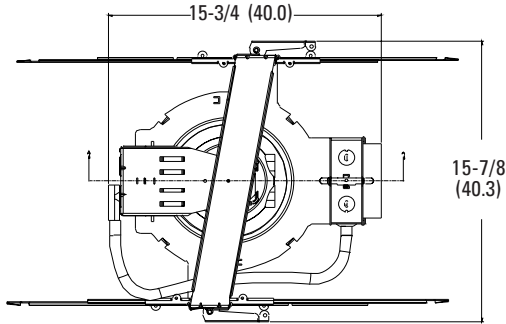
6" AF
Open Reflector

Horizontal Lamp, Double Twin-Tube



DIMENSIONAL DATA

All dimensions are inches (centimeters) unless otherwise noted.



Aperture: 6-1/4 (15.9)
Ceiling opening: 7-1/8 (18.1)
Overlap trim: 7-5/8 (19.4)
Lens recess: 1-3/4 (4.4)

ELECTRICAL

ENERGY (Calculated in accordance with NEMA standard LE-5A)					
LER.DOL	Annual* Energy Cost	Lamps	Lamp Lumens	Ballast Factor	Input Watts
44	\$5.51	(2) 18W DTT	2500	0.98	38
40	\$6.08	(2) 26W DTT	3200	1.00	55

*Comparative yearly lighting energy cost per 1000 lumens

NOTES

ORDERING NOTES	
1. Not available with finishes.	6. For dimensional changes, refer to TECH-140 .
2. Multi-volt electronic ballast capable of operating on any voltage from 120V through 277V, 50 or 60 Hz.	7. For compatible RELOC systems, refer to TECH-110 .
3. For additional ballast types, refer to TECH-250 .	8. Not available with emergency options.
4. Not available with 13DDT.	9. Meets codes that require in-fixture disconnect.
5. Available in 120V or 277V only.	10. Must specify wattage. EX.:WRL32

