

Gotham Architectural Downlighting
Compact Fluorescent Downlights

6" AF
Cross Baffle Reflector

Horizontal Lamp
Triple-Tube



FEATURES

OPTICAL SYSTEM

- Self-flanged, semi-specular or matte-diffuse reflector. Fluted vertical upper section works in conjunction with patented Bounding Ray™ Optical Principle design (U.S. Patent No. 5,800,050). Minimum flange matches reflector finish.
- Cross baffle offers superior optical cut-off with a clean aperture appearance.
- Hinged lampdoor seals upper trim for optimal fixture efficiency and the reduction of stray light in the plenum.

MECHANICAL SYSTEM

- 16-gauge galvanized steel construction; maximum 1-1/2" ceiling thickness.
- Telescopic mounting bars maximum of 32" and minimum of 15", preinstalled, 4" vertical adjustment.
- Toolless post-installation adjustments.
- Junction box capacity: 8 (4 in, 4 out) 12AWG rated for 90°C.

ELECTRICAL SYSTEM

- Horizontally mounted, positive-latch thermoplastic socket.
- Class P, thermally protected, high-power-factor electronic ballast mounted to the junction box.

LISTING

- Fixtures are UL Listed for thru-branch wiring, non-IC recessed mounting and damp locations. Listed and labeled to comply with Canadian standards.

WARRANTY

- 1-year limited warranty. Complete warranty terms located at www.acuitybrands.com/CustomerResources/Terms_and_conditions.aspx

EXAMPLE: AF 1/26TRT 6CB CGL MVOLT

| Series | Wattage/Lamp | Aperture/Trim color | Finish | Lens type | Voltage | Ballast ² |
|--------|--------------|---------------------|-----------------------|----------------------|---|---|
| AF | 1/13TRT | 6CB Clear | (blank) Semi-specular | (blank) No lens | MVOLT ¹ 120 277 347 | (blank) Electronic ballast |
| | 1/18TRT | | LD Matte-diffuse | CGL Clear glass lens | | ECOS ^{1,3} Lutron® EcoSystem® electronic dimming ballast. Minimum dimming level 5% |
| | 1/26TRT | | | | | ADEZ ^{3,4} Advance Mark 10® electronic dimming ballast. Minimum dimming level 5% |
| | 1/32TRT | | | | | ADZT ¹ Advance Mark 7® electronic dimming ballast. Minimum dimming level 5% |
| | 1/42TRT | | | | | |

Options

| | | | |
|--------------------|--|--------------------|---|
| ELR ⁵ | Emergency battery pack with remote test switch | RRL ⁶ | RELOC®-ready luminaire. Provides compatibility with Lithonia RELOC system. Access above ceiling required. |
| ELRHL ⁵ | High-lumen-output emergency battery pack with remote test switch | CP ⁷ | Chicago plenum |
| GMF ⁴ | Single, slow-blow fuse | BDP ^{7,8} | Ballast disconnect plug |
| GLR ⁴ | Single, fast-blow fuse | NPP16D EFP | nLight network power/relay pack with 0-10V dimming. |
| TRW | White painted flange | NPP16D ER EFP | nLight network power/relay pack with 0-10V dimming. ER controls fixtures on emergency circuit. |
| TRBL | Black painted flange | WRL ⁹ | Wattage restriction label |
| WLP | With 3500 K lamp (shipped separately) | WL | Wet location; lens required |

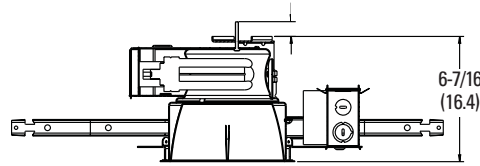
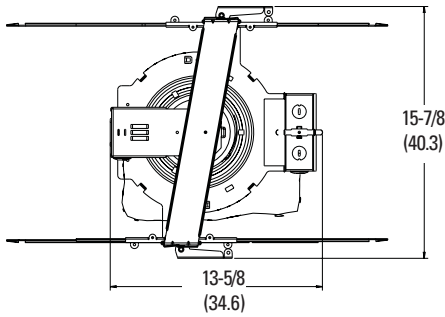
ACCESSORIES order as separate catalog numbers (shipped separately)

| | |
|------|--|
| SCA6 | Sloped ceiling adapter. Degree of slope must be specified (10D, 15D, 20D, 25D, 30D). Ex: SCA6 10D. |
|------|--|

ORDERING INFORMATION

DIMENSIONAL DATA

All dimensions are inches (centimeters) unless otherwise noted.



- Aperture: 6-1/4 (15.9)
- Ceiling opening: 7-1/8 (18.1)
- Overlap trim: 7-1/2 (19.1)
- Lens recess: 4 (10.2)

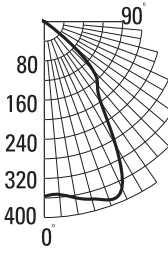
NOTES

ORDERING NOTES

- | | |
|--|--|
| <ol style="list-style-type: none"> 1. Multi-volt electronic ballast capable of operating on any voltage from 120V through 277V, 50 or 60 Hz. 2. For additional ballast types, refer to TECH-250. 3. Not available with 13W. 4. Available in 120V or 277V only. | <ol style="list-style-type: none"> 5. For dimensional changes, refer to TECH-140. 6. For compatible RELOC systems, refer to TECH-110. 7. Not available with emergency options. 8. Meets codes that require in-fixture disconnect. 9. Must specify wattage. Ex.: WRL32 |
|--|--|

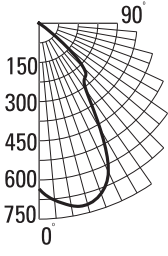
Distribution Curve Distribution Data Output Data Coefficient of Utilization Illuminance: Single Luminaire 30" Above Floor

AF 1/18TRT 6CB (1) CF18DT/E/IN/835, 1200 LUMENS PER LAMP, 1.2 S/MH, TEST NO. LTL9601



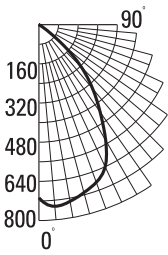
| From 0° | cp. | Lumens | Zone | Lumens | %lamp | ρf | 80% | 20% | 50% | Mount height | Initial fc at beam center | 50% beam angle 61.9° | | 10% beam angle 92.5° | |
|---------|-----|--------|----------|--------|-------|----|-----|-----|-----|--------------|---------------------------|----------------------|-----------------|----------------------|-----------------|
| | | | | | | pc | 50% | 70% | 50% | | | Beam diameter | fc at beam edge | Beam diameter | fc at beam edge |
| 0° | 357 | 33 | 0°-30° | 302.3 | 25.2 | 1 | 50 | 49 | 49 | 48 | 47 | 46 | | | |
| 5° | 354 | | 0°-40° | 438.9 | 36.6 | 2 | 46 | 44 | 45 | 43 | 44 | 42 | | | |
| 15° | 375 | 105 | 0°-60° | 543.3 | 45.3 | 3 | 42 | 40 | 42 | 39 | 40 | 38 | | | |
| 25° | 375 | 164 | 0°-90° | 545.0 | 45.4 | 4 | 39 | 36 | 38 | 36 | 37 | 35 | | | |
| 35° | 201 | 137 | 90°-180° | 0.0 | 0.0 | 5 | 36 | 33 | 35 | 33 | 35 | 32 | | | |
| 45° | 142 | 89 | 0°-180° | 545.0 | 45.4* | 6 | 33 | 30 | 33 | 30 | 32 | 29 | | | |
| 55° | 11 | 16 | | | | 7 | 31 | 28 | 30 | 27 | 30 | 27 | | | |
| 65° | 1 | 1 | | | | 8 | 29 | 25 | 28 | 25 | 28 | 25 | | | |
| 75° | 0 | 0 | | | | 9 | 27 | 24 | 26 | 23 | 26 | 23 | | | |
| 85° | 0 | 0 | | | | 10 | 25 | 22 | 25 | 22 | 24 | 22 | | | |
| 90° | 0 | 0 | | | | | | | | | | | | | |

AF 1/26TRT 6CB (1) CF26DT/E/IN/835, 1800 LUMENS PER LAMP, 1.2 S/MH, TEST NO. LTL9600



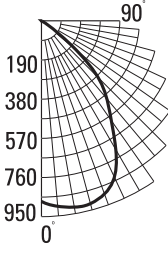
| From 0° | cp. | Lumens | Zone | Lumens | %lamp | ρf | 80% | 20% | 50% | Mount height | Initial fc at beam center | 50% beam angle 60.5° | | 10% beam angle 92.2° | |
|---------|-----|--------|----------|--------|-------|----|-----|-----|-----|--------------|---------------------------|----------------------|-----------------|----------------------|-----------------|
| | | | | | | pc | 50% | 70% | 50% | | | Beam diameter | fc at beam edge | Beam diameter | fc at beam edge |
| 0° | 634 | | 0°-30° | 514.8 | 28.6 | 1 | 57 | 55 | 56 | 54 | 54 | 53 | | | |
| 5° | 680 | 61 | 0°-40° | 746.9 | 41.5 | 2 | 52 | 50 | 51 | 49 | 50 | 48 | | | |
| 15° | 718 | 180 | 0°-60° | 928.1 | 51.6 | 3 | 48 | 45 | 47 | 45 | 46 | 44 | | | |
| 25° | 627 | 274 | 0°-90° | 931.1 | 51.7 | 4 | 44 | 41 | 44 | 41 | 42 | 40 | | | |
| 35° | 314 | 232 | 90°-180° | 0.0 | 0.0 | 5 | 41 | 37 | 40 | 37 | 39 | 37 | | | |
| 45° | 242 | 155 | 0°-180° | 931.1 | 51.7* | 6 | 38 | 34 | 37 | 34 | 37 | 34 | | | |
| 55° | 15 | 26 | | | | 7 | 35 | 32 | 35 | 31 | 34 | 31 | | | |
| 65° | 2 | 2 | | | | 8 | 33 | 29 | 32 | 29 | 32 | 29 | | | |
| 75° | 1 | 1 | | | | 9 | 30 | 27 | 30 | 27 | 30 | 27 | | | |
| 85° | 0 | 0 | | | | 10 | 28 | 25 | 28 | 25 | 28 | 25 | | | |
| 90° | 0 | 0 | | | | | | | | | | | | | |

AF 1/32TRT 6CB (1) CF32DT/E/IN/835, 2400 LUMENS PER LAMP, 1.2 S/MH, TEST NO. LTL9604



| From 0° | cp. | Lumens | Zone | Lumens | %lamp | ρf | 80% | 20% | 50% | Mount height | Initial fc at beam center | 50% beam angle 61.4° | | 10% beam angle 92.1° | |
|---------|-----|--------|----------|--------|-------|----|-----|-----|-----|--------------|---------------------------|----------------------|-----------------|----------------------|-----------------|
| | | | | | | pc | 50% | 70% | 50% | | | Beam diameter | fc at beam edge | Beam diameter | fc at beam edge |
| 0° | 707 | | 0°-30° | 579.7 | 24.2 | 1 | 49 | 48 | 48 | 47 | 46 | 45 | | | |
| 5° | 745 | 68 | 0°-40° | 856.1 | 35.7 | 2 | 45 | 43 | 44 | 42 | 43 | 41 | | | |
| 15° | 710 | 200 | 0°-60° | 1066.6 | 44.4 | 3 | 41 | 39 | 41 | 38 | 39 | 38 | | | |
| 25° | 640 | 312 | 0°-90° | 1070.5 | 44.6 | 4 | 38 | 35 | 38 | 35 | 37 | 34 | | | |
| 35° | 436 | 276 | 90°-180° | 0.0 | 0.0 | 5 | 35 | 32 | 35 | 32 | 34 | 31 | | | |
| 45° | 246 | 177 | 0°-180° | 1070.5 | 44.6* | 6 | 32 | 29 | 32 | 29 | 31 | 29 | | | |
| 55° | 36 | 34 | | | | 7 | 30 | 27 | 30 | 27 | 29 | 27 | | | |
| 65° | 2 | 3 | | | | 8 | 28 | 25 | 28 | 25 | 27 | 24 | | | |
| 75° | 1 | 1 | | | | 9 | 26 | 23 | 26 | 23 | 25 | 23 | | | |
| 85° | 0 | 0 | | | | 10 | 24 | 21 | 24 | 21 | 24 | 21 | | | |
| 90° | 0 | 0 | | | | | | | | | | | | | |

AF 1/42TRT 6CB (1) CF42DT/E/IN/835, 3200 LUMENS PER LAMP, 1.2 S/MH, TEST NO. LTL9605



| From 0° | cp. | Lumens | Zone | Lumens | %lamp | ρf | 80% | 20% | 50% | Mount height | Initial fc at beam center | 50% beam angle 62.0° | | 10% beam angle 92.1° | |
|---------|-----|--------|----------|--------|-------|----|-----|-----|-----|--------------|---------------------------|----------------------|-----------------|----------------------|-----------------|
| | | | | | | pc | 50% | 70% | 50% | | | Beam diameter | fc at beam edge | Beam diameter | fc at beam edge |
| 0° | 876 | | 0°-30° | 735.4 | 23.0 | 1 | 47 | 46 | 46 | 45 | 44 | 43 | | | |
| 5° | 903 | 83 | 0°-40° | 1095.1 | 34.2 | 2 | 43 | 41 | 42 | 40 | 41 | 39 | | | |
| 15° | 918 | 257 | 0°-60° | 1360.0 | 42.5 | 3 | 40 | 37 | 39 | 37 | 38 | 36 | | | |
| 25° | 837 | 395 | 0°-90° | 1364.7 | 42.6 | 4 | 36 | 34 | 36 | 33 | 35 | 33 | | | |
| 35° | 590 | 360 | 90°-180° | 0.0 | 0.0 | 5 | 34 | 31 | 33 | 30 | 32 | 30 | | | |
| 45° | 388 | 225 | 0°-180° | 1364.7 | 42.6* | 6 | 31 | 28 | 31 | 28 | 30 | 28 | | | |
| 55° | 66 | 40 | | | | 7 | 29 | 26 | 28 | 26 | 28 | 25 | | | |
| 65° | 4 | 4 | | | | 8 | 27 | 24 | 26 | 24 | 26 | 23 | | | |
| 75° | 1 | 1 | | | | 9 | 25 | 22 | 25 | 22 | 24 | 22 | | | |
| 85° | 0 | 0 | | | | 10 | 23 | 20 | 23 | 20 | 23 | 20 | | | |
| 90° | 0 | 0 | | | | | | | | | | | | | |

PHOTOMETRY NOTES

- Tested to current IES and NEMA standards under stabilized laboratory conditions.
- Actual performance may differ as a result of end-user environment and application.
- Consult factory or IES file for microgroove baffle, black cone or other photometric reports.