



Gotham Architectural Downlighting  
International Compact Fluorescent Downlights/Wallwash

**AFI/AFWI**  
**15.2cm (6") Open/Wallwash**

Horizontal DTT or TRT Lamp

FEATURES

**OPTICAL SYSTEM**

- Reflector: Self-flanged, semi-specular or matte-diffuse reflector. Fluted vertical upper section works in conjunction with Patented Bounding Ray™ Optical Principle design (U.S. Patent No. 5,800,050) to provide lamp before lamp image and smooth transition from top of reflector to bottom. Minimum flange matches reflector finish.
- Baffle/cone: Semi-specular clear upper reflector. Microgroove baffle with white painted flange or specular black cone with flange that matches cone finish.
- Hinged lampdoor provided for optimal fixture efficiency and the reduction of stray light in the plenum.
- Wallwash: Highly reflective outer kicker reflector provides smooth, uniform illumination floor to ceiling, edge to edge. Inner cone is contoured to eliminate room side flash. For optimal uniformity, the recommended luminaire spacing is 0.9m (3') from the wall and 0.9m (3') centers.

**MECHANICAL SYSTEM**

- Pre-wired galvanized steel junction box mounted to reflector is provided with removable access cover. Knockouts provided for power supply feed and conduit

runs. No. 12 AWG conductors, rated for 90°C.

- Three (3) swinggate brackets allow for installation from below the ceiling. Suitable for ceiling thickness ranging from 1.59cm (5/8") to 2.54cm (1").

**ELECTRICAL SYSTEM**

- Horizontally-mounted, positive-latch, thermoplastic socket.
- Thermally protected, high power factor electronic ballast (50/60Hz) mounted to the junction box.
- Eurostyle terminal block included for power supply and ground connections required for CE.

**LISTING**

- MVOLT, 120V and 277V fixtures are UL Listed, Non-IC recessed mounting and damp locations. 220V and 240V fixtures are CE certified and rated IP20.

**WARRANTY**

- 1-year limited warranty. Complete warranty terms located at [www.acuitybrands.com/CustomerResources/Terms\\_and\\_conditions.aspx](http://www.acuitybrands.com/CustomerResources/Terms_and_conditions.aspx)

ORDERING INFORMATION

**EXAMPLE: AFI 1/26TRT 6AR 220**

Series	Wattage/Lamp	Aperture/Trim color	Finish	Voltage	Ballast	Options
AFI	1/13DTT	6AR Clear	(blank) Semi-specular	MVOLT <sup>3,5</sup>	(blank) Electronic ballast	TRW White painted flange
AFWI	1/18DTT	6PR Pewter	LD Matte-diffuse	120 <sup>6</sup>	ECOS Lutron® EcoSystem® electronic dimming ballast. Minimum dimming level 5%.	TRBL Black painted flange
	1/26DTT	6WTR Wheat		220 <sup>4</sup>	ADEZ <sup>5</sup> Advance Mark 10® electronic dimming ballast. Minimum dimming level 5%	WLP With 3500 K lamp (shipped separately)
	1/13TRT	6CB <sup>1</sup> Cross baffle		240 <sup>4</sup>	ADZT <sup>5</sup> Advance Mark 7® electronic 0-10V DC dimming ballast. Minimum dimming level 3%	GMF Single, slow-blow fuse
	1/18TRT	6BC <sup>1,2</sup> Black cone		277 <sup>5</sup>	VDB <sup>7</sup> Vossloh 0-10V dimming ballast	GLR Single, fast-blow fuse
	1/26TRT	6WR <sup>1,2</sup> White painted				GSKT Foam gasketing, ships uninstalled
	1/32TRT					
	1/42TRT					

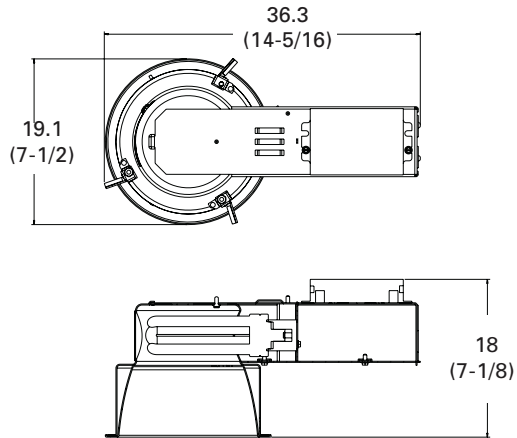
NOTES

ORDERING NOTES	
1. AFI only.	5. Available with UL listing only. 120-277V, 50/60Hz.
2. Not available with finishes.	6. Available with 120V or 277V only.
3. Multi-volt electronic ballast capable of operating on any line voltage from 120V through 277V, 50 or 60 Hz.	7. Available with 220V or 240V only.
4. Available with CE listing only. 220-240V, 50/ 60 Hz.	

DIMENSIONAL DATA

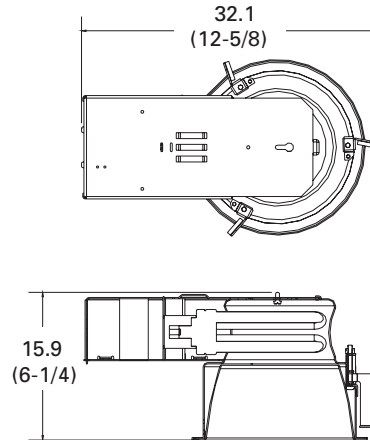
All dimensions are inches (centimeters) unless otherwise noted.

**UL Listed**



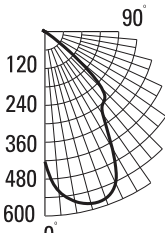
- Aperture: 15.9 (6-1/4)
- Ceiling Opening: 17.5 (6-7/8)
- Overlap Trim: 19.1 (7-1/2)

**CE Certified**



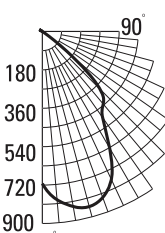
Distribution Curve    Distribution Data    Output Data    Coefficient of Utilization    Illuminance: Single Luminaire 30" Above Floor

**AFI 1/18TRT 6AR**    (1) CF18DT/E/IN/835, 1200 LUMENS PER LAMP, 1.3 S/MH, TEST NO. LTL9404



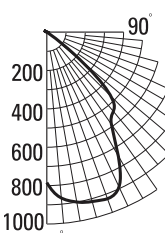
From 0°	cp.	Lumens	Zone	Lumens	%lamp	ρf ρc ρw	80%		20%		50%		Mount height	Initial fc at beam center	50% beam angle 60.9°		10% beam angle 94.1°	
							50%	30%	50%	30%	50%	30%			Beam diameter	fc at beam edge	Beam diameter	fc at beam edge
0°	423		0°-30°	351.8	29.3	1	63	62	62	61	60	59	8'	14.0	6.5	7.0	11.8	1.4
5°	522	41	0°-40°	526.7	43.9	2	58	56	57	55	55	53	10'	7.5	8.8	3.8	16.1	0.8
15°	579	123	0°-60°	693.5	57.8	3	53	50	53	49	51	48	12'	4.7	11.2	2.3	20.4	0.5
25°	543	187	0°-90°	695.4	58.0	4	49	45	48	45	47	44	14'	3.2	13.5	1.6	24.7	0.3
35°	328	175	90°-180°	0.0	0.0	5	45	41	44	41	43	40	16'	2.3	15.9	1.2	29.0	0.2
45°	263	150	0°-180°	695.4	58.0*	6	42	38	41	37	40	37						
55°	12	17				7	38	34	38	34	37	34						
65°	1	1				8	36	32	35	31	35	31						
75°	1	1				9	33	29	33	29	32	29						
85°	0	0				10	31	27	31	27	30	27						
90°	0	0																

**AFI 1/26TRT 6AR**    (1) CF26DT/E/IN/835, 1800 LUMENS PER LAMP, 1.2 S/MH, TEST NO. LTL9391



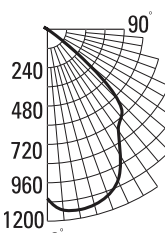
From 0°	cp.	Lumens	Zone	Lumens	%lamp	ρf ρc ρw	80%		20%		50%		Mount height	Initial fc at beam center	50% beam angle 59.9°		10% beam angle 93.8°	
							50%	30%	50%	30%	50%	30%			Beam diameter	fc at beam edge	Beam diameter	fc at beam edge
0°	713		0°-30°	584.2	32.5	1	69	67	67	66	65	64	8'	23.6	6.3	11.8	11.8	2.4
5°	792	72	0°-40°	866.2	48.1	2	63	60	62	59	60	58	10'	12.7	8.6	6.3	16.0	1.3
15°	850	206	0°-60°	1125.1	62.5	3	58	54	57	54	55	52	12'	7.9	11.0	4.0	20.3	0.8
25°	765	307	0°-90°	1127.4	62.6	4	53	49	52	49	51	48	14'	5.4	13.3	2.7	24.6	0.5
35°	493	282	90°-180°	0.0	0.0	5	49	45	48	44	47	44	16'	3.9	15.6	2.0	28.8	0.4
45°	383	232	0°-180°	1127.4	62.6*	6	45	41	45	41	44	40						
55°	15	27				7	42	37	41	37	40	37						
65°	1	2				8	39	34	38	34	38	34						
75°	0	1				9	36	32	36	32	35	31						
85°	0	0				10	34	30	33	29	33	29						
90°	0	0																

**AFI 1/32TRT 6AR**    (1) CF32DT/E/IN/835, 2400 LUMENS PER LAMP, 1.3 S/MH, TEST NO. LTL9390



From 0°	cp.	Lumens	Zone	Lumens	%lamp	ρf ρc ρw	80%		20%		50%		Mount height	Initial fc at beam center	50% beam angle 62.0°		10% beam angle 94.1°	
							50%	30%	50%	30%	50%	30%			Beam diameter	fc at beam edge	Beam diameter	fc at beam edge
0°	784		0°-30°	663.0	27.6	1	60	58	58	57	56	55	8'	25.9	6.6	13.0	11.8	2.6
5°	868	79	0°-40°	995.2	41.5	2	55	52	54	51	52	50	10'	13.9	9.0	7.0	16.1	1.4
15°	914	230	0°-60°	1299.6	54.2	3	50	47	49	46	48	45	12'	8.7	11.4	4.3	20.4	0.9
25°	890	354	0°-90°	1304.8	54.4	4	46	43	45	42	44	41	14'	5.9	13.8	3.0	24.7	0.6
35°	587	332	90°-180°	0.0	0.0	5	42	39	42	38	41	38	16'	4.3	16.2	2.2	29.0	0.4
45°	473	273	0°-180°	1304.8	54.4*	6	39	35	39	35	38	35						
55°	22	31				7	36	32	36	32	35	32						
65°	2	3				8	33	30	33	29	32	29						
75°	1	2				9	31	27	31	27	30	27						
85°	1	1				10	29	25	29	25	28	25						
90°	0	0																

**AFI 1/42TRT 6AR**    (1) CF42DT/E/IN/835, 3200 LUMENS PER LAMP, 1.3 S/MH, TEST NO. LTL9521



From 0°	cp.	Lumens	Zone	Lumens	%lamp	ρf ρc ρw	80%		20%		50%		Mount height	Initial fc at beam center	50% beam angle 62.5°		10% beam angle 94.2°	
							50%	30%	50%	30%	50%	30%			Beam diameter	fc at beam edge	Beam diameter	fc at beam edge
0°	1058		0°-30°	916.8	28.6	1	62	60	61	59	58	57	8'	35.0	6.7	17.5	11.8	3.5
5°	1135	107	0°-40°	1390.1	43.4	2	57	54	56	53	54	52	10'	18.8	9.1	9.4	16.1	1.9
15°	1136	323	0°-60°	1805.1	56.4	3	52	49	51	48	50	47	12'	11.7	11.5	5.9	20.4	1.2
25°	1043	487	0°-90°	1808.4	56.5	4	48	44	47	44	46	43	14'	8.0	14.0	4.0	24.7	0.8
35°	774	473	90°-180°	0.0	0.0	5	44	40	43	40	42	39	16'	5.8	16.4	2.9	29.0	0.6
45°	622	374	0°-180°	1808.4	56.5*	6	41	37	40	36	39	36						
55°	26	41				7	38	34	37	33	36	33						
65°	2	2				8	35	31	34	31	34	30						
75°	1	1				9	32	28	32	28	31	28						
85°	0	0				10	30	26	30	26	29	26						
90°	0	0																

**PHOTOMETRY NOTES**

- Tested to current IES and NEMA standards under stabilized laboratory conditions.
- Actual performance may differ as a result of end-user environment and application.
- Consult factory or IES file for microgroove baffle, black cone or other photometric reports.