

Gotham Architectural Downlighting
Compact Fluorescent Downlights

5" AFV
Open Reflector

Vertical Lamp
Double Twin-Tube or Triple-Tube

FEATURES

OPTICAL SYSTEM

- Self-flanged, semi-specular or matte-diffuse reflector. Patented Vertisys® - Bounding Ray™ Optical Principle design (US Patent No. 5,800,050).

MECHANICAL SYSTEM

- 16-gauge galvanized steel construction; maximum 7/8" ceiling thickness.
- Telescopic mounting bars maximum of 32" and minimum of 15", preinstalled, 4" vertical adjustment.
- Toolless post-installation adjustments.
- Junction box capacity: 8 (4 in, 4 out) 12AWG rated for 90°C.

ELECTRICAL SYSTEM

- Rugged aluminum lampholder housing.
- Vertically mounted, positive-latch, thermoplastic socket.
- Class P, thermally protected, high-power-factor electronic ballast mounted to the junction box.
- SIMPLY5™ technology available.

LISTING

- Fixtures are UL Listed for thru-branch wiring, non-IC recessed mounting and damp locations. Listed and labeled to comply with Canadian standards.

WARRANTY

- 1-year limited warranty. Complete warranty terms located at: www.acuitybrands.com/CustomerResources/Terms_and_conditions.aspx

EXAMPLE: AFV 26TRT 5AR MVOLT WLP

Series	Wattage/Lamp	Aperture/Trim color	Finish	Lens type	Voltage	Ballast ³
AFV	13DTT	5AR	Clear	(blank)	No lens	MVOLT²
	13TRT	5PR	Pewter	LD	Clear glass lens	ECOS^{2,4}
	18TRT	5WTR	Wheat			
	26TRT	5WR ¹	White painted		Clear polycarbonate lens	ADEZ^{4,5}
	32TRT	5MB ¹	Black baffle			ADZT²
		5WB ¹	White baffle			

ORDERING INFORMATION

Options

ELR^{5,6}	Emergency battery pack with remote test switch	RRL⁹	RELOC®-ready luminaire. Provides compatibility with Lithonia RELOC system. Access above ceiling required.
ELRHL^{5,6}	High-lumen-output emergency battery pack with remote test switch	HW	Hardwire for S5 system; replaces RELOC®
GMF⁷	Single, slow-blow fuse	CP⁹	Chicago plenum
GLR⁷	Single, fast-blow fuse	BDP^{9,10}	Ballast disconnect plug
TRW	White painted flange (standard on MB and WB)	NEPP	Interface for Sensor Switch® nLight® network with integral power supply. Refer to TN-623-01.
TRBL	Black painted flange	WL	Wet location; lens required
GSKT	Foam gasketing	WRL¹¹	Wattage restriction label
WLP	With 3500 K lamp (shipped separately)	TWS	Twist lock socket

ACCESSORIES order as separate catalog numbers (shipped separately)

SCA5 Sloped ceiling adapter. Degree of slope must be specified (10D, 15D, 20D, 25D, 30D). Ex: SCA5 10D.

5" AFV

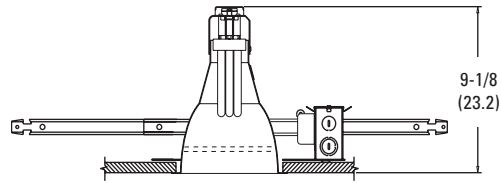
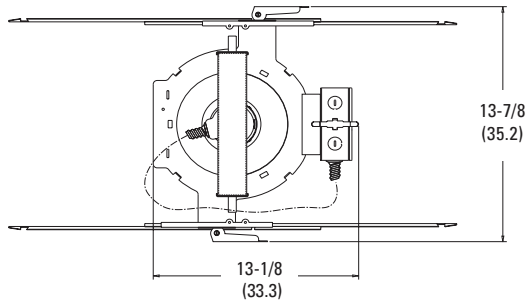
Open Reflector

Vertical Lamp, Double Twin-Tube or Triple-Tube



DIMENSIONAL DATA

All dimensions are inches (centimeters) unless otherwise noted.



- Aperture: 5 (12.7)
- Ceiling opening: 5-1/2 (14.0)
- Overlap trim: 6-1/4 (15.9)
- Lens recess: 1-1/2 (3.8)

ELECTRICAL

ENERGY

LER.DOH	Annual Energy Cost	Lamps	Lamp Lumens	Ballast Factor	Input Watts
30	\$7.99	(1) 26TRT	1800	.98	27

Calculated in accordance with NEMA standard LE-5.

NOTES

ORDERING NOTES

1. Not available with finishes.
2. Multi-volt electronic ballast capable of operating on any voltage from 120V through 277V, 50 or 60 Hz.
3. For additional ballast types, refer to [TECH-250](#).
4. Not available with 13W.
5. Available in 120V or 277V only.
6. For dimensional changes, refer to [TECH-140](#).
7. Not available with MVOLT; must specify voltage.
8. For compatible RELOC systems, refer to [TECH-110](#).
9. Not available with ELR or ELRHL option.
10. Meets codes that require in-fixture disconnect.
11. Must specify wattage: Ex.: WRL26



Distribution Curve	Distribution Data	Output Data	Coefficient of Utilization	Illuminance: Single Luminaire 30" Above Floor
--------------------	-------------------	-------------	----------------------------	---

AFV 26TRT 5AR (1) PL-T 26W/30/4P LAMP, 1800 RATED LUMENS, 1.2 S/MH, TEST NO. 2196030802

From 0°	cp.	Lumens	Zone	Lumens	%lamp	pf pc pw	20%				Mount height	Initial fc at beam center	50%		10%			
							80%		70%				beam angle 61.6°		beam angle 86.4°			
							50%	30%	50%	30%			50%	30%	Beam diameter	fc at beam edge	Beam diameter	fc at beam edge
0°	595	61	0°-30°	493	27.4	1	51	50	50	49	48	48						
5°	635	181	0°-40°	736	40.9	2	48	46	47	46	46	45						
15°	636	254	0°-60°	824	45.8	3	45	43	44	43	43	42						
25°	551	244	0°-90°	825	45.8	4	42	40	42	40	41	39						
35°	398	86	90°-180°	0	0.0	5	40	37	39	37	39	37	8'	19.7	6.6'	9.8	10.3'	2.0
45°	81	3	0°-180°	825	45.8*	6	37	35	37	35	36	34	10'	10.6	8.9'	5.3	14.1'	1.1
55°	3	1				7	35	32	35	32	34	32	12'	6.6	11.3'	3.3	17.8'	0.7
65°	1	1				8	33	30	32	30	32	30	14'	4.5	13.7'	2.3	21.6'	0.5
75°	0	1				9	31	28	30	28	30	28	16'	3.3	16.1'	1.6	25.3'	0.3
85°	0	1				10	29	26	28	26	28	26						
90°	0	1																

AFV 32TRT 5AR (1) PL-T 32W/30/4P LAMP, 2400 RATED LUMENS, 1.2 S/MH, TEST NO. 2195082303

From 0°	cp.	Lumens	Zone	Lumens	%lamp	pf pc pw	20%				Mount height	Initial fc at beam center	50%		10%			
							80%		70%				beam angle 61.7°		beam angle 87.4°			
							50%	30%	50%	30%			50%	30%	Beam diameter	fc at beam edge	Beam diameter	fc at beam edge
0°	745	80	0°-30°	624	26.0	1	48	47	47	46	46	45						
5°	815	227	0°-40°	932	38.8	2	45	43	44	42	43	41						
15°	813	317	0°-60°	1048	43.7	3	41	39	41	39	40	38						
25°	696	308	0°-90°	1054	43.9	4	38	36	38	35	37	35						
35°	504	113	90°-180°	0	0.0	5	36	33	35	33	34	32	8'	24.6	6.6'	12.3	10.5'	2.5
45°	139	3	0°-180°	1054	43.9*	6	33	30	33	30	32	30	10'	13.2	8.9'	6.6	14.4'	1.3
55°	3	3				7	31	28	31	28	30	28	12'	8.3	11.4'	4.1	18.2'	0.8
65°	3	3				8	29	26	29	26	28	26	14'	5.6	13.8'	2.8	22.0'	0.6
75°	4	2				9	27	24	27	24	26	24	16'	4.1	16.0'	2.0	25.8'	0.4
85°	2	1				10	25	23	25	22	25	22						
90°	0	1																

AFV 26TRT 5MB (1) PL-T 26W/30/4P LAMP, 1800 RATED LUMENS, 1.1 S/MH, TEST NO. 2196101602

From 0°	cp.	Lumens	Zone	Lumens	%lamp	pf pc pw	20%				Mount height	Initial fc at beam center	50%		10%			
							80%		70%				beam angle 58.0°		beam angle 84.6°			
							50%	30%	50%	30%			50%	30%	Beam diameter	fc at beam edge	Beam diameter	fc at beam edge
0°	493	49	0°-30°	376	20.9	1	38	37	37	36	36	35						
5°	516	139	0°-40°	543	30.2	2	35	34	35	34	34	33						
15°	494	190	0°-60°	604	33.6	3	33	32	33	31	32	31						
25°	413	167	0°-90°	604	33.6	4	31	30	31	30	30	29						
35°	270	61	90°-180°	0	0.0	5	29	28	29	27	29	27	8'	16.3	6.1'	8.2	10.0'	1.6
45°	70	1	0°-180°	604	33.6*	6	28	26	28	26	27	26	10'	8.8	8.3'	4.4	13.7'	0.9
55°	0	1				7	26	24	26	24	25	24	12'	5.5	10.5'	2.7	17.3'	0.5
65°	0	1				8	24	23	24	22	24	22	14'	3.7	12.7'	1.9	20.9'	0.4
75°	0	1				9	23	21	23	21	22	21	16'	2.7	15.0'	1.4	24.6'	0.3
85°	0	1				10	21	20	21	20	21	19						
90°	0	1																

AFV 32TRT 5MB (1) PL-T 32W/30/4P LAMP, 2400 RATED LUMENS, 1.1 S/MH, TEST NO. 2196101701

From 0°	cp.	Lumens	Zone	Lumens	%lamp	pf pc pw	20%				Mount height	Initial fc at beam center	50%		10%			
							80%		70%				beam angle 57.3°		beam angle 84.7°			
							50%	30%	50%	30%			50%	30%	Beam diameter	fc at beam edge	Beam diameter	fc at beam edge
0°	605	61	0°-30°	464	19.4	1	35	34	34	33	33	32						
5°	645	174	0°-40°	665	27.7	2	33	32	32	31	31	30						
15°	616	231	0°-60°	742	31.0	3	31	29	30	29	29	28						
25°	503	201	0°-90°	742	31.0	4	29	27	29	27	28	27						
35°	325	76	90°-180°	0	0.0	5	27	25	27	25	26	25	8'	20.0	6.0'	10.0	10.0'	2.0
45°	91	2	0°-180°	742	31.0*	6	26	24	25	24	25	24	10'	10.8	8.2'	5.4	13.7'	1.1
55°	1	1				7	24	22	24	22	23	22	12'	6.7	10.4'	3.4	17.3'	0.7
65°	0	1				8	23	21	22	21	22	21	14'	4.6	12.6'	2.3	21.0'	0.5
75°	0	1				9	21	19	21	19	21	19	16'	3.3	14.7'	1.7	24.6'	0.3
85°	0	1				10	20	18	20	18	19	18						
90°	0	1																

PHOTOMETRY NOTES

- Tested to current IES and NEMA standards under stabilized laboratory conditions.
- Actual performance may differ as a result of end-user environment and application.
- Consult factory or IES file for microgroove baffle, black cone or other photometric reports.