

Gotham Architectural Downlighting
Compact Fluorescent Downlights

5" AFVW
Open Wallwash

Vertical Lamp
Triple-Tube

FEATURES

OPTICAL SYSTEM

- Self-flanged semi-specular or matte-diffuse reflector with hybrid finish wallwash kicker providing uniform vertical illumination and light high on the wall.
- Patented Vertisys®-Bounding Ray™ Optical Principle design (US Patent No. 5,800,050). Minimum flange matches reflector finish.

MECHANICAL SYSTEM

- 16-gauge galvanized steel construction; maximum 1-5/8" ceiling thickness.
- Telescopic mounting bars maximum of 32" and minimum of 15", preinstalled, 4" vertical adjustment.
- Toolless post-installation adjustments.
- Junction box capacity: 8 (4 in, 4 out) 12AWG rated for 90°C.

ELECTRICAL SYSTEM

- Rugged aluminum lampholder housing designed for positive lamp center positioning.
- Vertically mounted, positive-latch thermoplastic socket.
- Class P, thermally protected, high-power-factor ballast mounted to the junction box.

LISTING

- Fixtures are UL Listed for thru-branch wiring, recessed mounting, non-IC and damp locations. Listed and labeled to comply with Canadian standards (see Options).

WARRANTY

- 1-year limited warranty. Complete warranty terms located at www.acuitybrands.com/CustomerResources/Terms_and_conditions.aspx

ORDERING INFORMATION

EXAMPLE: AFVW 26TRT 5AR MVOLT WLP

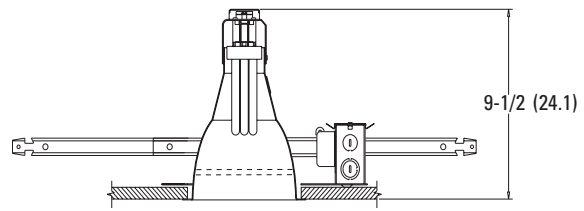
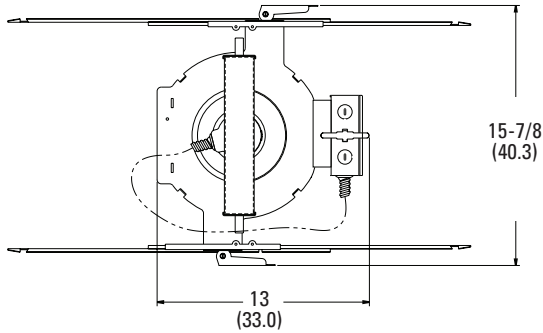
Series	Wattage/Lamp	Aperture/Trim color	Finish	Lens type ²	Voltage	Ballast ⁴
AFVW	13TRT	5AR Clear	(blank) Semi-specular	(blank) No lens	MVOLT³	(blank) Electronic ballast
	18TRT	5PR Pewter	LD Matte-diffuse	CGL Clear glass lens	120	ECOS^{3,5} Lutron® EcoSystem® electronic dimming ballast. Minimum dimming level 5%
	26TRT	5WTR Wheat		PCL Clear polycarbonate lens	277	ADEZ^{5,6} Advance Mark 10® electronic dimming ballast. Minimum dimming level 5%
	32TRT	5WR¹ White painted			347	ADZT³ Advance Mark 7® electronic dimming ballast. Minimum dimming level 5%

Options

WLP	3500 K lamp (shipped separately)	QDS⁹	Quick-disconnect for easy ballast replacement
TRW	White painted flange (not available with 5WR)	DWW	Double wallwash
LRC^{7,8}	Provides compatibility with Lithonia RELOC® System. Access above ceiling required.	CWW	Corner wallwash
GMF⁶	Single, slow-blow fuse	NEPP	Interface for Sensor Switch® nLight® network with integral power supply. Refer to TN-623-01
GLR⁶	Single, fast-blow fuse	HW	Hardwire for S5 system; replaces RELOC®
ELR⁸	Emergency battery pack with remote test switch	WL	Wet location; lens required
RIF	Radio interference filter	WRL¹⁰	Wattage restriction label
GSKT	1/8" x 3/8" foam gasketing, shipped uninstalled	TWS	Twist lock socket

DIMENSIONAL DATA

All dimensions are inches (centimeters) unless otherwise noted.



- Aperture: 5 (12.7)
- Ceiling opening: 5-3/4 (14.6)
- Overlap trim: 6-1/4 (15.9)
- Lens Recess: 2(5.1)

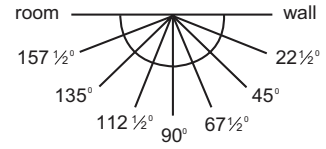
NOTES

ORDERING NOTES

- | | |
|--|--|
| <ol style="list-style-type: none"> 1. Not available with finishes. 2. For additional lens types, consult factory. 3. Multi-volt electronic ballast capable of operating on any voltage from 120V through 277V, 50 or 60 Hz. 4. For additional ballast types, refer to TECH-250. 5. Not available with 13W. 6. 120V or 277V only. | <ol style="list-style-type: none"> 7. For compatible RELOC systems, refer to TECH-110. 8. For dimensional changes, refer to TECH-140. 9. Not available with ELR option. 10. Must specify wattage. Ex.: WRL18 |
|--|--|

TECHNICAL INFORMATION

Footcandle values are initial and tables are based on minimum of six units. For fixture-to-wall distance other than those shown, use maximum of one-to-one spacing (distance between fixtures not more than distance to wall) for best results.



Fixture/Lamp	Candlepower Data	Footcandle values
--------------	------------------	-------------------

AFVW 26TRT 5AR

PL-T 26W/30/4P lamp

1800 rated lumens

Test no. 2196030602

Vertical angle	Plane angle								Luminaire 3' from wall on 3' centers			Luminaire 3' from wall on 4' centers						
	Room side				Wall side				1	2	3	4	5	6	7	8	9	10
	Room	157½°	135°	112½°	90°	67½°	45°	22½°										
0°	495	495	495	495	495	495	495	495	495	1	8	7	8	6	5	6		
5°	551	556	558	557	539	511	484	463	457	2	15	14	15	12	10	12		
15°	654	637	641	615	542	495	436	374	355	3	20	19	20	15	13	15		
25°	592	569	562	566	492	454	403	344	297	4	18	19	18	13	15	13		
35°	419	413	427	416	389	376	381	372	365	5	16	15	16	11	13	11		
45°	107	85	94	87	100	132	215	277	296	6	13	13	13	10	10	10		
55°	5	5	5	4	4	37	119	153	162	7	11	11	11	8	9	8		
65°	2	2	2	2	2	15	65	75	77	8	9	9	9	7	7	7		
75°	1	1	1	1	1	6	31	37	39	9	8	7	8	7	6	7		
85°	0	0	0	0	0	1	10	10	10	10	7	6	7	6	6	6		
90°	0	0	0	0	0	0	0	0	0									

AFVW 32TRT 5AR

PL-T 32W/30/4P lamp

2400 rated lumens

Test no. 2196030701

Vertical angle	Plane angle								Luminaire 3' from wall on 3' centers			Luminaire 3' from wall on 4' centers						
	Room side				Wall side				1	2	3	4	5	6	7	8	9	10
	Room	157½°	135°	112½°	90°	67½°	45°	22½°										
0°	579	579	579	579	579	579	579	579	579	1	9	9	9	7	6	7		
5°	656	663	660	653	630	598	566	542	535	2	19	17	19	14	12	14		
15°	764	754	745	725	637	584	516	445	417	3	23	22	23	18	15	18		
25°	670	656	654	657	559	511	462	403	343	4	20	22	20	15	17	15		
35°	489	481	498	485	442	424	434	436	426	5	18	18	18	13	15	13		
45°	136	108	107	104	126	162	246	327	350	6	15	15	15	12	12	12		
55°	5	5	5	5	5	43	134	187	198	7	13	13	13	10	10	10		
65°	3	2	2	3	3	19	78	92	91	8	11	10	11	8	9	8		
75°	2	2	1	1	1	7	37	45	46	9	9	9	9	7	7	7		
85°	2	2	1	1	0	2	12	14	12	10	7	7	7	7	6	7		
90°	0	0	0	0	0	0	0	0	0									

AFVW 26TRT 5AR CGL

PL-T 26W/30/4P lamp

1800 rated lumens

Test no. LTL7713

Vertical angle	Plane angle								Luminaire 3' from wall on 3' centers			Luminaire 3' from wall on 4' centers						
	Room side				Wall side				1	2	3	4	5	6	7	8	9	10
	Room	157½°	135°	112½°	90°	67½°	45°	22½°										
0°	455	455	455	455	455	455	455	455	455	1	7	7	7	5	5	5		
5°	507	512	513	512	496	470	445	426	420	2	14	13	14	11	9	11		
15°	602	586	590	566	499	455	401	344	327	3	18	17	18	14	12	14		
25°	545	523	517	521	453	418	371	316	273	4	16	17	16	12	14	12		
35°	385	380	393	383	358	346	351	342	336	5	14	14	15	10	12	10		
45°	98	78	86	80	92	121	198	255	272	6	11	12	12	9	9	9		
55°	5	5	5	4	4	34	109	141	149	7	9	10	10	7	8	8		
65°	2	2	2	2	2	14	60	69	71	8	7	8	9	6	7	7		
75°	1	1	1	1	1	6	29	34	36	9	6	7	7	5	6	6		
85°	0	0	0	0	0	1	9	9	9	10	5	6	6	5	5	5		
90°	0	0	0	0	0	0	0	0	0									

PHOTOMETRY NOTES

- Tested to current IES and NEMA standards under stabilized laboratory condition.
- Actual performance may differ as a result of end-user environment and application.
- Consult factory or IES file for microgroove baffle, black cone or other photometric reports.