

Gotham Architectural Downlighting
Compact Fluorescent Downlights

6" AFW
Open Wallwash

Horizontal Lamp
Triple-Tube

FEATURES

OPTICAL SYSTEM

- Self-flanged, semi-specular or matte-diffuse reflector.
- Patented Bounding Ray™ Optical Principle design (U.S. Patent No. 5,800,050) provides lamp before lamp image and smooth transition from top of reflector to bottom. Minimum flange matches reflector finish.
- Highly reflective outer kicker reflector provides smooth, uniform illumination floor to ceiling, edge to edge. For optimal uniformity, the recommended luminaire spacing is 3' from the wall and 3' centers.

MECHANICAL SYSTEM

- 16-gauge galvanized steel mounting/plaster frame with integral yoke to retain optical system. Maximum 1-1/4" ceiling thickness.
- 16-gauge galvanized steel mounting bars with continuous 4" vertical adjustment are shipped pre-installed. Post-installation adjustment possible without the use of tools from above or below the ceiling.
- Galvanized steel junction box with bottom-hinged access covers and spring latch. Two combination 1/2"-3/4" and two 1/2" knockouts for straight-through conduit runs. Capacity: 8 (4 in, 4 out) No. 12 AWG conductors rated for 90°C.

ELECTRICAL SYSTEM

- Horizontally mounted, positive-latch thermoplastic socket(s).
- Class P, thermally protected, high-power-factor ballast(s) mounted to the junction box.
- SIMPLY5™ technology available.

LISTING

- Fixtures are UL Listed for thru-branch wiring, non-IC recessed mounting and damp locations. Listed and labeled to comply with Canadian standards.

WARRANTY

- 1-year limited warranty. Complete warranty terms located at www.acuitybrands.com/CustomerResources/Terms_and_conditions.aspx

ORDERING INFORMATION

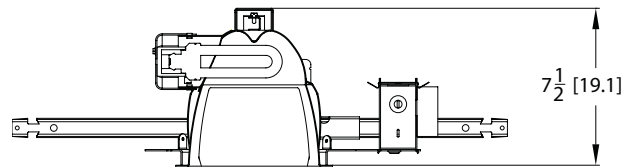
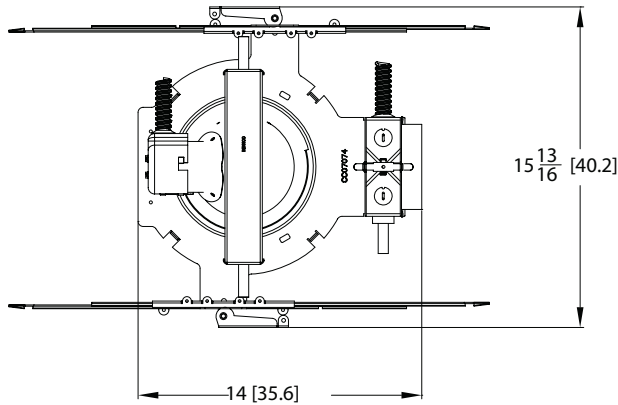
EXAMPLE: AFW 1/26TRT 6AR MVOLT

Series	Wattage/Lamp	Aperture/Trim color	Finish	Lens type	Voltage
AFW	1/13TRT	6AR Clear	(blank) Semi-specular	(blank) No lens	MVOLT²
	1/18TRT	6PR Pewter	LD Matte-diffuse	CGL Clear glass lens	120
	1/26TRT	6WTR Wheat		PCL Clear polycarbonate lens	277
	1/32TRT	6WR¹ White painted			347
	1/42TRT				

Ballast ³	Options
(blank) Electronic ballast	WLP 3500 K lamp (shipped separately)
ECOS⁴ Lutron® EcoSystem® electronic dimming ballast. Minimum dimming level 5%	TRW White painted flange
ADEZ^{4,5} Advance Mark 10® electronic dimming ballast. Minimum dimming level 5%	EL^{5,6} Emergency battery pack with integral test switch
ADZT^{4,5} Advance Mark 7® electronic dimming ballast. Minimum dimming level 5%	ELR^{5,6} Emergency battery pack with remote test switch
	ELHL^{5,6} High-lumen-output emergency battery pack with integral test switch
	ELRHL^{5,6} High-lumen-output emergency battery pack with remote test switch
	GMF⁵ Single, slow-blow fuse
	GLR⁵ Single, fast-blow fuse
	DW⁷ Double wallwash
	RRL⁸ RELOC®-ready luminaire. Provides compatibility with Lithonia RELOC system. Access above ceiling required.
	HW Hardwire for S5 system; replaces RELOC®
	CP⁹ Chicago plenum
	BDP^{9,10} Ballast disconnect plug
	NEPP Interface for Sensor Switch® nLight® network with integral power supply. Refer to TN-623-01 .
	WRL¹¹ Wattage restriction label
	WL Wet location; lens required

DIMENSIONAL DATA

All dimensions are inches (centimeters) unless otherwise noted.



- Aperture: 6-1/4 (15.9)
- Ceiling Opening: 7-1/8 (18.1)
- Overlap Trim: 7-1/2 (19.1)
- Lens Recess: 2.0 (5.1)

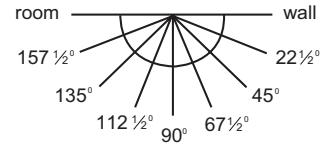
NOTES

ORDERING NOTES

- | | |
|---|---|
| <ol style="list-style-type: none"> 1. Not available with finishes. 2. Multi-volt electronic ballast capable of operating on any voltage from 120V through 277V, 50 or 60 Hz. 3. For additional ballast types, refer to TECH-250. 4. Not available with 13W. 5. Available in 120V or 277V only. 6. For dimensional changes, refer to TECH-140. | <ol style="list-style-type: none"> 7. Not available with lens. 8. For compatible RELOC systems, refer to TECH-110. 9. Not available with emergency options. 10. Meets codes that require in-fixture disconnect. 11. Must specify wattage. Ex.: WRL32 |
|---|---|

TECHNICAL INFORMATION

Footcandle values are initial and tables are based on minimum of six units. For fixture-to-wall distance other than those shown, use maximum of one-to-one spacing (distance between fixtures not more than distance to wall) for best results.



Fixture/Lamp	Candlepower Data	Footcandle values
--------------	------------------	-------------------

AFW 1/42TRT 6AR

(1) CF42DT/E/IN/830 lamp

3200 total rated lumens

Test no. LTL17396

	Plane angle							
	Wall	22.5	45	67.5	90	112.5	135	157.5
0	1168	1168	1168	1168	1168	1168	1168	1168
5	1133	1136	1132	1117	1109	1112	1120	1120
15	953	938	919	896	877	901	935	955
25	793	779	733	669	616	618	665	728
35	559	549	520	468	425	429	441	457
45	301	302	299	292	289	268	244	218
55	158	156	142	129	119	96	64	50
65	79	77	64	48	31	15	5	2
75	43	41	33	24	13	6	1	0
85	7	7	8	5	2	0	0	0
90	0	0	0	0	0	0	0	0

Wallwash Illuminance Study (fc)									
Illuminance on wall from 6 luminaires									
	Luminaire mounted 3 ft. from wall			Luminaire mounted 3 ft. from wall			Luminaire mounted 3 ft. from wall		
	3 ft. between luminaires	4 ft. between luminaires	5 ft. between luminaires	3 ft. between luminaires	4 ft. between luminaires	5 ft. between luminaires	3 ft. between luminaires	4 ft. between luminaires	5 ft. between luminaires
ft. from ceiling	3	3.5	4	3	3.5	4	3	3.5	4
1	7	7	7	6	4	6	6	3	6
2	13	12	13	11	8	11	10	5	10
3	18	18	18	15	12	15	13	9	13
4	21	21	21	17	15	17	14	11	14
5	20	20	20	15	15	15	13	11	13
6	17	17	17	13	13	13	11	10	11
7	14	14	14	11	11	11	9	9	9
8	12	12	12	9	9	9	7	7	7
9	10	10	10	8	8	8	6	6	6
10	8	8	8	6	6	6	5	5	5

PHOTOMETRY NOTES

- Tested to current IES and NEMA standards under stabilized laboratory conditions.
- Actual performance may differ as a result of end-user environment and application.
- Consult factory or IES file for microgroove baffle, black cone or other photometric reports.