

Gotham Architectural Downlighting
Compact Fluorescent Downlights

8" AFW
Open Wallwash

Horizontal Lamp
Double Twin-Tube

FEATURES

OPTICAL SYSTEM

- Self-flanged, semi-specular or matte-diffuse reflector. Patented Bounding Ray™ Optical Principle design (U.S. Patent No. 5,800,050) provides lamp before lamp image and smooth transition from top of the reflector to bottom. Minimum flange matches reflector finish.
- Highly reflective outer kicker reflector provides smooth, uniform illumination floor to ceiling, edge to edge. Inner cone is contoured to eliminate room-side flash. For optimal uniformity, the recommended luminaire spacing is 3' from the wall and 3' centers.

MECHANICAL SYSTEM

- 16-gauge galvanized steel mounting/plaster frame with integral yoke to retain optical system. Maximum 2-1/4" ceiling thickness.
- 16-gauge galvanized steel mounting bars with continuous 4" vertical adjustment, are shipped pre-installed. Post-installation adjustment possible without the use of tools from above or below the ceiling.
- Galvanized steel junction box with hinged access covers and spring latch. Two combination 1/2"-3/4" and two 1/2" knockouts for straight-through conduit runs. Capacity: 8 (4 in, 4 out) No. 12 AWG conductors, rated for 90°C.

ELECTRICAL SYSTEM

- Horizontally mounted, positive-latch thermoplastic socket(s).
- Class P, thermally protected high-power-factor ballast(s) mounted to the junction box.
- SIMPLY5™ technology available.

LISTING

- Fixtures are UL listed for thru-branch wiring, non-IC recessed mounting and damp locations. Listed and labeled to comply with Canadian standards.

WARRANTY

- 1-year limited warranty. Complete warranty terms located at www.acuitybrands.com/CustomerResources/Terms_and_conditions.aspx

ORDERING INFORMATION

EXAMPLE: AFW 1/26DTT 8AR MVOLT WLP

Series	Wattage/Lamp	Aperture/Trim color	Finish	Lens type	Voltage
AFW	1/13DTT	8AR Clear	(blank) Semi-specular	(blank) No lens	MVOLT²
	2/13DTT	8PR Pewter	LD Matte-diffuse	CGL Clear glass lens	120
	1/18DTT	8WTR Wheat		PCL Clear polycarbonate lens	277
	2/18DTT	8WR¹ White painted			347
	1/26DTT				
	2/26DTT				

Ballast ³	Options
(blank) Electronic ballast	WLP 3500 K lamp (shipped separately)
ECOS^{2,4} Lutron® EcoSystem® electronic dimming ballast. Minimum dimming level 5%	TRW White painted flange
ADEZ^{4,5} Advance Mark 10® electronic dimming ballast. Minimum dimming level 5%	ELR^{5,6} Emergency battery pack. Remote test switch provided
ADZT^{4,5} Advance Mark 7® electronic dimming ballast. Minimum dimming level 5%	EL^{5,6} Emergency battery pack with integral test switch
	ELHL^{5,6} High-lumen-output emergency battery pack with integral test switch
	ELRHL^{5,6} High-lumen-output emergency battery pack with remote test switch
	GMF⁵ Single, slow-blow fuse
	GLR⁵ Single, fast-blow fuse
	RRL⁷ RELOC®-ready luminaire. Provides compatibility with Lithonia RELOC system. Access above ceiling required.
	HW Hardwire for S5 system; replaces RELOC®
	GSKT Foam gasketing
	CP⁸ Chicago Plenum
	DS Dual switching
	BDP⁹ Ballast disconnect plug
	NEPP Interface for Sensor Switch® nLight® network with integral power supply. Refer to TN-623-01 .
	WRL¹⁰ Wattage restriction label
	WL Wet location; lens required

8" AFW

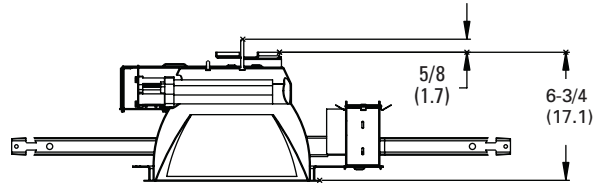
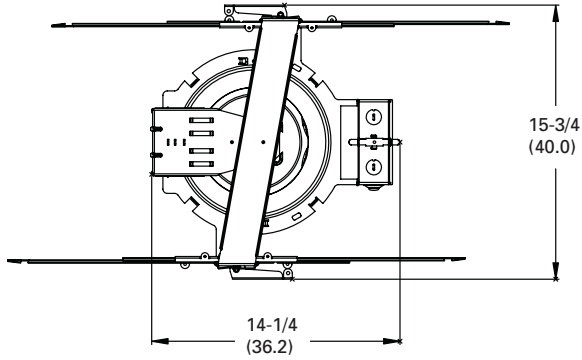
Open Wallwash

Horizontal Lamp, Double Twin-Tube



DIMENSIONAL DATA

All dimensions are inches (centimeters) unless otherwise noted.



Aperture: 7-7/8 (20.1)
Ceiling opening: 8-7/8 (22.5)
Overlap trim: 9-1/4 (23.5)

NOTES

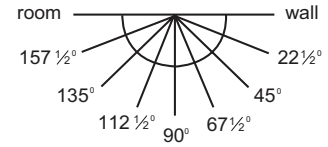
ORDERING NOTES

1. Not available with finishes.
2. Multi-volt electronic ballast capable of operating on any voltage from 120V through 277V, 50 or 60 Hz.
3. For additional ballast types, refer to [TECH-250](#).
4. Not available with 13DTT.
5. Available in 120V or 277V only.
6. For dimensional changes, refer to [TECH-140](#).
7. For compatible RELOC systems, refer to [TECH-110](#).
8. Not available with emergency options.
9. Meets codes that require in-fixture disconnect.
10. Must specify wattage. Ex.: WRL32



TECHNICAL INFORMATION

Footcandle values are initial and tables are based on minimum of six units. For fixture-to-wall distance other than those shown, use maximum of one-to-one spacing (distance between fixtures not more than distance to wall) for best results.



Fixture/Lamp	Candlepower Data	Footcandle values
--------------	------------------	-------------------

AFW 2/18DTT 8AR

(2)CF18DD/E/835 lamp
1250 rated lumens per lamp
Test no. LTL17618

Vertical Angle	Wall	Plane angle					
		22.5	45	67.5	90	112.5	135
0	1110	1110	1110	1110	1110	1110	1110
5	1050	1061	1081	1073	1072	1075	1079
15	915	907	881	849	820	810	796
25	691	694	680	650	609	582	567
35	485	493	476	439	403	387	374
45	294	293	266	239	213	193	185
55	148	145	127	96	65	52	45
65	83	81	69	52	33	17	5
75	43	41	34	24	14	6	2
85	11	10	8	6	3	1	0
90	0	0	0	0	0	0	0

ft. from ceiling	Wallwash Illuminance Study (fc)								
	Illuminance on wall from 6 luminaires								
	Luminaire mounted 3 ft. from wall			Luminaire mounted 3 ft. from wall			Luminaire mounted 3 ft. from wall		
	3 ft. between luminaires			4 ft. between luminaires			5 ft. between luminaires		
	3	3.5	4	3	3.5	4	3	3.5	4
1	7	6	7	6	4	6	6	3	6
2	13	12	13	11	8	11	10	5	10
3	17	16	17	14	11	14	13	8	13
4	18	18	18	14	13	14	12	9	12
5	17	17	17	13	12	13	11	10	11
6	15	15	15	11	11	11	9	9	9
7	12	12	12	9	9	9	8	7	8
8	10	10	10	8	8	8	6	6	6
9	9	9	9	7	7	7	6	5	6
10	7	7	7	6	6	6	5	5	5

AFW 2/26DTT 8AR

(2)CF26DD/E/835 lamp
1825 rated lumens per lamp
Test no. LTL10613

Vertical Angle	Wall	Plane angle					
		22.5	45	67.5	90	112.5	135
0	1632	1632	1632	1632	1632	1632	1632
5	1539	1579	1593	1574	1571	1579	1583
15	1336	1308	1270	1231	1205	1213	1206
25	1028	1018	987	940	896	873	859
35	739	728	691	635	593	575	568
45	442	428	394	353	319	293	284
55	229	217	183	134	96	78	65
65	129	121	99	70	43	20	6
75	68	61	48	32	18	7	2
85	17	15	12	7	3	1	0
90	0	0	0	1	1	1	0

ft. from ceiling	Wallwash Illuminance Study (fc)								
	Illuminance on wall from 6 luminaires								
	Luminaire mounted 3 ft. from wall			Luminaire mounted 3 ft. from wall			Luminaire mounted 3 ft. from wall		
	3 ft. between luminaires			4 ft. between luminaires			5 ft. between luminaires		
	3	3.5	4	3	3.5	4	3	3.5	4
1	12	10	12	10	7	10	9	4	9
2	20	18	20	16	12	16	15	9	15
3	27	25	27	22	17	22	19	12	19
4	28	27	28	22	20	22	19	15	19
5	26	26	26	20	19	20	17	15	17
6	22	22	22	17	17	17	14	13	14
7	19	19	19	14	14	14	12	11	12
8	16	16	16	12	12	12	10	10	10
9	13	13	13	10	10	10	8	8	8
10	11	11	11	9	9	9	7	7	7

AFW 2/18DTT 8AR CGL

(2)CF18DD/E/835 lamp
1250 rated lumens per lamp
Test no. LTL17622

Vertical Angle	Wall	Plane angle					
		22.5	45	67.5	90	112.5	135
0	305	305	305	305	305	305	305
5	306	303	301	302	310	324	333
15	299	307	316	325	321	374	395
25	263	276	300	317	304	366	392
35	217	231	246	257	277	307	321
45	210	208	187	156	152	165	180
55	171	158	121	69	27	31	36
65	71	65	51	26	8	5	6
75	21	20	17	9	2	2	2
85	3	3	3	1	0	0	0
90	0	0	0	0	0	0	0

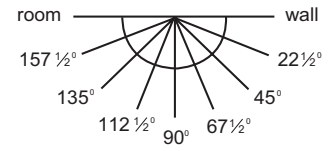
ft. from ceiling	Wallwash Illuminance Study (fc)								
	Illuminance on wall from 6 luminaires								
	Luminaire mounted 3 ft. from wall			Luminaire mounted 3 ft. from wall			Luminaire mounted 3 ft. from wall		
	3 ft. between luminaires			4 ft. between luminaires			5 ft. between luminaires		
	3	3.5	4	3	3.5	4	3	3.5	4
1	4	4	4	4	2	4	3	2	3
2	14	12	14	12	8	12	11	5	11
3	14	14	14	11	11	11	9	8	9
4	11	12	11	8	9	8	7	7	7
5	9	9	9	7	7	7	6	6	6
6	8	8	8	6	6	6	4	5	4
7	6	6	6	5	5	5	4	4	4
8	5	5	5	4	4	4	3	3	3
9	4	4	4	3	3	3	3	3	3
10	3	3	3	3	3	3	2	2	2

PHOTOMETRY NOTES

- Tested to current IES and NEMA standards under stabilized laboratory conditions.
- Actual performance may differ as a result of end-user environment and application.
- Consult factory or IES file for microgroove baffle, black cone or other photometric reports.

TECHNICAL INFORMATION

Footcandle values are initial and tables are based on minimum of six units. For fixture-to-wall distance other than those shown, use maximum of one-to-one spacing (distance between fixtures not more than distance to wall) for best results.



Fixture/Lamp	Candlepower Data	Footcandle values
--------------	------------------	-------------------

AFW 2/26DTT 8AR CGL

(2)CF26DD/E/835 lamp

1825 rated lumens per lamp

Test no. LTL10612

	Plane angle							
	Wall	22.5	45	67.5	90	112.5	135	157.5
0	658	658	658	658	658	658	658	658
5	672	667	663	658	659	684	711	726
15	660	668	688	691	667	771	825	836
25	560	579	640	672	629	760	816	779
35	451	472	513	542	573	641	659	663
45	393	399	404	355	347	386	418	447
55	336	321	257	152	62	71	82	90
65	162	148	113	57	18	12	12	13
75	47	44	39	18	5	4	5	5
85	7	6	6	3	1	1	0	0
90	0	0	0	0	0	0	0	0

Wallwash Illuminance Study (fc)									
Illuminance on wall from 6 luminaires									
ft. from ceiling	Luminaire mounted 3 ft. from wall			Luminaire mounted 3 ft. from wall			Luminaire mounted 3 ft. from wall		
	3 ft. between luminaires			4 ft. between luminaires			5 ft. between luminaires		
	3	3.5	4	3	3.5	4	3	3.5	4
1	10	8	10	8	5	8	8	3	8
2	28	26	28	23	17	23	22	11	22
3	28	29	28	21	22	21	18	16	18
4	24	24	24	17	18	17	14	15	14
5	20	19	20	15	15	15	12	12	12
6	16	16	16	12	12	12	10	10	10
7	13	13	13	10	10	10	8	8	8
8	11	11	11	8	8	8	7	7	7
9	9	9	9	7	7	7	6	6	6
10	7	7	7	6	6	6	5	5	5

PHOTOMETRY NOTES

- Tested to current IES and NEMA standards under stabilized laboratory conditions.
- Actual performance may differ as a result of end-user environment and application.
- Consult factory or IES file for microgroove baffle, black cone or other photometric reports.