

Gotham Architectural Downlighting
Compact Fluorescent Downlights

8" AFW
Open Wallwash

Horizontal Lamp
Triple-Tube

FEATURES

OPTICAL SYSTEM

- Self-flanged, semi-specular or matte-diffuse reflector.
- Patented Bounding Ray™ Optical Principle design (U.S. Patent No. 5,800,050) provides lamp before lamp image and smooth transition from top of reflector to bottom. Minimum flange matches reflector finish.
- Highly reflective outer kicker reflector provides smooth, uniform illumination floor to ceiling, edge to edge. For optimal uniformity, the recommended luminaire spacing is 3' from the wall and 3' centers.

MECHANICAL SYSTEM

- 16-gauge galvanized steel mounting/plaster frame with integral yoke to retain optical system. Maximum 1-1/4" ceiling thickness.
- 16-gauge galvanized steel mounting bars with continuous 4" vertical adjustment are shipped pre-installed. Post-installation adjustment possible without the use of tools from above or below the ceiling.
- Galvanized steel junction box with bottom-hinged access covers and spring latch. Two combination 1/2"-3/4" and two 1/2" knockouts for straight-through conduit runs. Capacity: 8 (4 in, 4 out) No. 12 AWG conductors rated for 90°C.

ELECTRICAL SYSTEM

- Horizontally mounted, positive-latch thermoplastic socket(s).
- Class P, thermally protected, high-power-factor ballast(s) mounted to the junction box.
- SIMPLY5™ technology available.

LISTING

- Fixtures are UL Listed for thru-branch wiring, non-IC recessed mounting and damp locations. Listed and labeled to comply with Canadian standards.

WARRANTY

- 1-year limited warranty. Complete warranty terms located at www.acuitybrands.com/CustomerResources/Terms_and_conditions.aspx

ORDERING INFORMATION

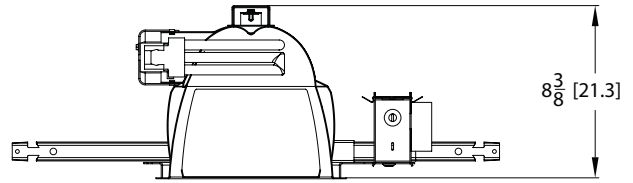
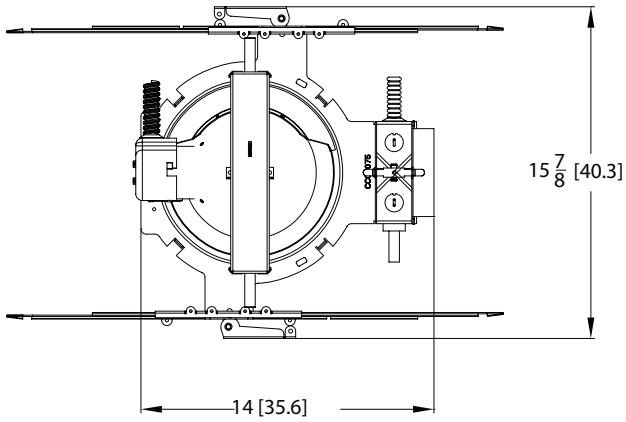
EXAMPLE: AFW 2/32TRT 8AR MVOLT

Series	Wattage/Lamp	Aperture/Trim color	Finish	Lens type	Voltage
AFW	1/18TRT	8AR Clear	(blank) Semi-specular	(blank) No lens	MVOLT ²
	1/26TRT	8PR Pewter	LD Matte-diffuse	CGL Clear glass lens	120
	1/32TRT	8WTR Wheat		PCL Clear polycarbonate lens	277
	1/42TRT	8WR ¹ White painted			347
	2/18TRT				
	2/26TRT				
	2/32TRT				
	2/42TRT				

Ballast ³	Options
(blank) Electronic ballast	WLP 3500 K lamp (shipped separately)
ECOS² Lutron® EcoSystem® electronic dimming ballast. Minimum dimming level 5%	TRW White painted flange
ADEZ⁴ Advance Mark 10® electronic dimming ballast. Minimum dimming level 5%	ELR^{4,5} Emergency battery pack with remote test switch
ADZT⁴ Advance Mark 7® electronic dimming ballast. Minimum dimming level 5%	EL^{4,5} Emergency battery pack with integral test switch
	ELHL^{4,5} High-lumen-output emergency battery pack with integral test switch
	ELRHL^{4,5} High-lumen-output emergency battery pack with remote test switch
	GMF⁴ Single, slow-blow fuse
	GLR⁴ Single, fast-blow fuse
	DWW⁶ Double wallwash
	RRL⁷ RELOC®-ready luminaire. Provides compatibility with Lithonia RELOC system. Access above ceiling required.
	HW Hardwire for S5 system; replaces RELOC®
	CP⁸ Chicago plenum
	DS Dual switching
	BDP^{8,9} Ballast disconnect plug
	NEPP Interface for Sensor Switch® nLight® network with integral power supply. Refer to TN-623-01 .
	WRL¹⁰ Wattage restriction label
	WL Wet location; lens required

DIMENSIONAL DATA

All dimensions are inches (centimeters) unless otherwise noted.



Aperture: 7-7/8 (20.1)
 Ceiling Opening: 8-7/8 (22.5)
 Overlap Trim: 9-1/4 (23.5)
 Lens Recess: 2.5 (6.4)

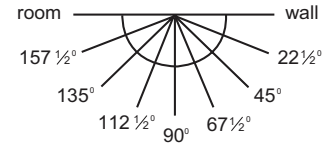
NOTES

ORDERING NOTES

- | | |
|---|--|
| <ol style="list-style-type: none"> 1. Not available with finishes. 2. Multi-volt electronic ballast capable of operating on any voltage from 120V through 277V, 50 or 60 Hz. 3. For additional ballast types, refer to TECH-250. 4. Available in 120V or 277V only. 5. For dimensional changes, refer to TECH-140. | <ol style="list-style-type: none"> 6. Not available with lens. 7. For compatible RELOC systems, refer to TECH-110. 8. Not available with emergency options. 9. Meets codes that require in-fixture disconnect. 10. Must specify wattage. Ex.: WRL32 |
|---|--|

TECHNICAL INFORMATION

Footcandle values are initial and tables are based on minimum of six units. For fixture-to-wall distance other than those shown, use maximum of one-to-one spacing (distance between fixtures not more than distance to wall) for best results.



Fixture/Lamp	Candlepower Data	Footcandle values
--------------	------------------	-------------------

AFW 2/26TRT 8AR

(2) CF26DT/E/IN/835 lamp
1800 rated lumens per lamp
Test no. LTL17624

Vertical Angle	Wall	Plane angle			
		22.5	45	67.5	90
0	1174	1174	1174	1174	1174
5	1244	1228	1209	1195	1189
15	1177	1145	1090	1030	1003
25	892	876	833	781	756
35	619	609	586	534	505
45	349	349	337	302	264
55	120	121	127	123	119
65	60	56	50	45	44
75	33	29	24	20	19
85	8	6	6	4	4
90	0	1	1	1	1

ft. from ceiling	Wallwash Illuminance Study (fc)											
	Illuminance on wall from 6 luminaires											
	Luminaire mounted 3 ft. from wall			Luminaire mounted 3 ft. from wall			Luminaire mounted 3 ft. from wall			Luminaire mounted 3 ft. from wall		
	3 ft. between luminaires			4 ft. between luminaires			5 ft. between luminaires			5 ft. between luminaires		
	3	3.5	4	3	3.5	4	3	3.5	4	3	3.5	4
1	6	5	6	5	3	5	4	2	4			
2	10	9	10	8	6	8	8	4	8			
3	20	19	20	16	13	16	15	9	15			
4	24	24	24	18	17	18	16	13	16			
5	22	22	22	17	17	17	14	13	14			
6	19	19	19	15	14	15	12	11	12			
7	16	16	16	13	12	13	10	10	10			
8	14	14	14	11	10	11	9	8	9			
9	11	11	11	9	9	9	7	7	7			
10	9	10	9	7	7	7	6	6	6			

AFW 2/32TRT 8AR

(2) CF32DT/E/IN/830 lamp
2400 rated lumens per lamp
Test no. LTL17626

Vertical Angle	Wall	Plane angle			
		22.5	45	67.5	90
0	1507	1507	1507	1507	1507
5	1592	1591	1569	1551	1545
15	1502	1468	1393	1301	1266
25	1147	1125	1058	980	945
35	792	778	743	669	619
45	446	443	423	373	325
55	152	152	157	150	146
65	75	70	61	56	54
75	41	36	30	25	23
85	10	8	7	5	4
90	0	1	1	1	1

ft. from ceiling	Wallwash Illuminance Study (fc)											
	Illuminance on wall from 6 luminaires											
	Luminaire mounted 3 ft. from wall			Luminaire mounted 3 ft. from wall			Luminaire mounted 3 ft. from wall			Luminaire mounted 3 ft. from wall		
	3 ft. between luminaires			4 ft. between luminaires			5 ft. between luminaires			5 ft. between luminaires		
	3	3.5	4	3	3.5	4	3	3.5	4	3	3.5	4
1	7	6	7	6	4	6	5	3	5			
2	13	12	13	11	8	11	10	5	10			
3	25	24	25	21	17	21	19	11	19			
4	30	30	30	23	22	23	20	16	20			
5	28	28	28	22	21	22	18	16	18			
6	25	25	25	19	18	19	15	15	15			
7	21	21	21	16	16	16	13	12	13			
8	17	17	17	13	13	13	11	11	11			
9	14	14	14	11	11	11	9	9	9			
10	12	12	12	9	9	9	8	8	8			

AFW 2/42TRT 8AR

(2) CF42DT/E/IN/830 lamp
3200 rated lumens per lamp
Test no. LTL17628

Vertical Angle	Wall	Plane angle			
		22.5	45	67.5	90
0	1994	1994	1994	1994	1994
5	2072	2057	2041	2016	2011
15	1945	1906	1811	1698	1659
25	1501	1473	1383	1270	1217
35	1039	1017	971	873	805
45	575	575	554	497	446
55	196	195	199	193	185
65	97	91	79	72	69
75	53	47	39	32	29
85	13	10	9	6	5
90	0	0	1	1	1

ft. from ceiling	Wallwash Illuminance Study (fc)											
	Illuminance on wall from 6 luminaires											
	Luminaire mounted 3 ft. from wall			Luminaire mounted 3 ft. from wall			Luminaire mounted 3 ft. from wall			Luminaire mounted 3 ft. from wall		
	3 ft. between luminaires			4 ft. between luminaires			5 ft. between luminaires			5 ft. between luminaires		
	3	3.5	4	3	3.5	4	3	3.5	4	3	3.5	4
1	9	8	9	8	5	8	7	4	7			
2	16	15	16	14	10	14	12	7	12			
3	33	32	33	27	22	27	25	14	25			
4	40	39	40	31	28	31	26	21	26			
5	37	37	37	28	27	28	24	21	24			
6	32	32	32	25	24	25	20	19	20			
7	27	27	27	21	21	21	17	16	17			
8	23	23	23	18	17	18	14	14	14			
9	19	19	19	15	15	15	12	12	12			
10	16	16	16	12	12	12	10	10	10			

PHOTOMETRY NOTES

- Tested to current IES and NEMA standards under stabilized laboratory conditions.
- Actual performance may differ as a result of end-user environment and application.
- Consult factory or IES file for microgroove baffle, black cone or other photometric reports.