

Gotham Architectural Downlighting
Compact Fluorescent Downlights

8" LGF
Round Lens

Wet Location
Horizontal Triple-Tube Lamp



FEATURES

OPTICAL SYSTEM

- Aluminum upper reflector coated with highly reflective white paint provides high efficiency and an evenly illuminated aperture appearance.
- Available with tempered prismatic lens (T73), flat Fresnel lens (FFL) or flat opal lens (FOL).
- Regressed white door (RW) or stepped black baffle (SB) provided standard with white painted flange.
- Door is retained by self-aligning, torsion support springs, preventing gaps between door and ceiling.

MECHANICAL SYSTEM

- 16-gauge galvanized steel mounting/plaster frame with integral yoke to retain optical system. Maximum 1-1/2" ceiling thickness.
- 16-gauge galvanized steel mounting bars with continuous 4" vertical adjustment are shipped pre-installed. Post installation adjustment possible without the use of tools from above or below ceiling.
- Galvanized steel junction box with hinged access covers and spring latch. Two combination 1/2"-3/4" and three 1/2" knockouts for straight-through conduit runs. Capacity: 8 (4 in, 4 out) No. 12 AWG conductors, rated for 90°C.

ELECTRICAL SYSTEM

- Galvanized steel lampholder housing.
- Horizontally-mounted, four-pin, positive-latch, thermoplastic socket(s).
- Class P, thermally protected, high-power-factor, electronic ballast(s) mounted to the junction box.

LISTING

- Fixtures are UL Listed for thru-branch wiring, non-IC recessed mounting and wet locations. Listed and labeled to comply with Canadian standards.

WARRANTY

- 1-year limited warranty. Complete warranty terms located at www.acuitybrands.com/CustomerResources/Terms_and_conditions.aspx

ORDERING INFORMATION

EXAMPLE: LGF 2/26TRT 8RW T73 MVOLT

Series	Number of lamps/	Wattage/Lamp	Door frame	Lens type	Voltage	Ballast ⁴
LGF	1 2	18TRT	8RW Regressed white door	FFL Flat fresnel lens	MVOLT ³ 120 277 347	(blank) Electronic ballast (standard)
		26TRT ¹		FOL Flat opal lens		ECOS ⁵ Lutron® EcoSystem® electronic dimming ballast. Minimum dimming level 5%.
		32TRT	8SB Stepped black baffle	PPC Prismatic polycarbonate lens		ADEZ ⁶ Advance Mark 10® electronic dimming ballast. Minimum dimming level 5%
		42TRT				
		57TRT ²				

Options

CP	Chicago plenum	ELR⁸	Emergency battery pack with remote test switch
TRDA⁷	Tamper-resistant door assembly	GSKT	Foam gasketing ships uninstalled
DS	Dual switching	NPP16D EFP	nLight network power/relay pack with 0-10V dimming.
GMF	Single, slow-blow fuse (not available with MVOLT)	NPP16D ER EFP	nLight network power/relay pack with 0-10V dimming. ER controls fixtures on emergency circuit.
GLR	Single, fast-blow fuse (not available with MVOLT)	RRL__	RELOC®-ready luminaire connectors enable a simple and consistent factory installed option across all ABL luminaire brands. Refer to RRL for complete nomenclature.
WLP	3500 K lamp (shipped separately)		

ACCESSORIES order as separate catalog numbers (shipped separately)

SCA8 Sloped ceiling adapter. Degree of slope must be specified (10D, 15D, 20D, 25D, 30D). Ex: SCA8 10D.

8" LGF

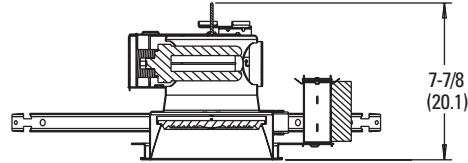
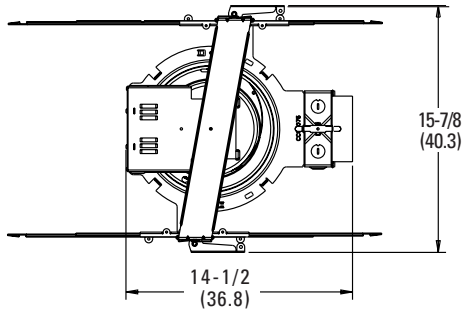
Round Lens

Wet Location, Horizontal Triple-Tube Lamp



DIMENSIONAL DATA

All dimensions are inches (centimeters) unless otherwise noted.



Aperture: 7-7/8 (20.1)
Ceiling Opening: 8-7/8 (22.5)
Overlap Trim: 9-1/4 (23.5)

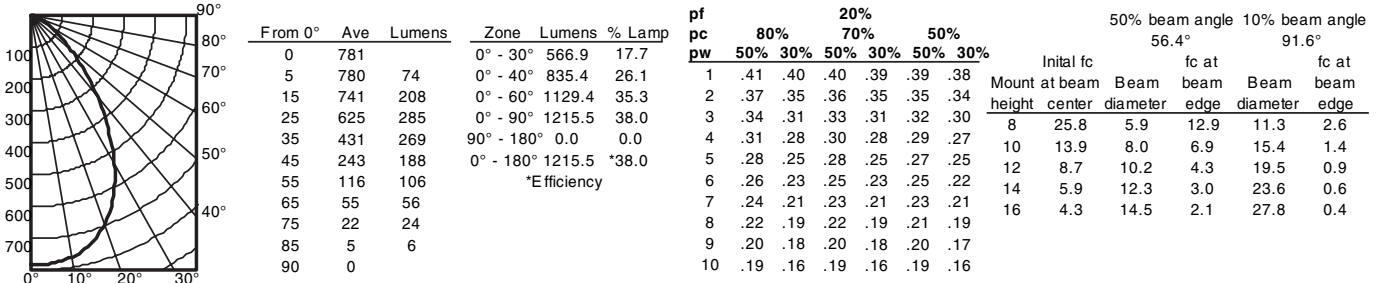
NOTES

ORDERING NOTES

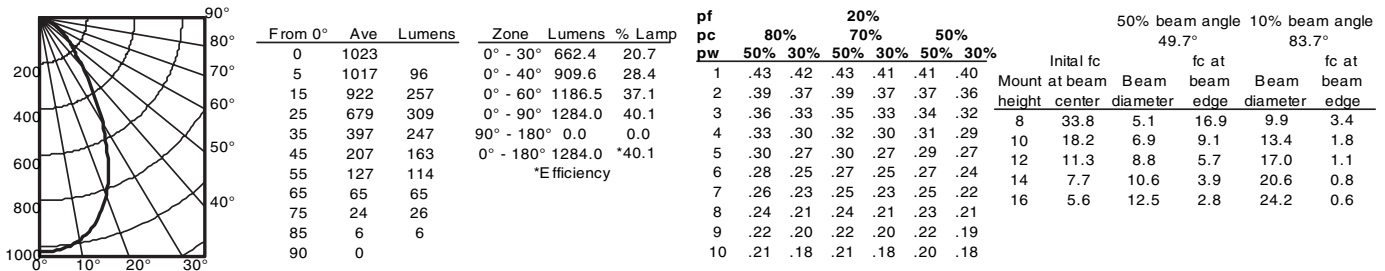
1. Will also operate 26DTT 4-PIN lamp.
2. Single lamp only, Sylvania or Philips.
3. Multi-volt electronic ballast capable of operating on any voltage from 120V through 277V, 50 or 60 Hz.
4. For additional ballast types, refer to [TECH-250](#).
5. 2/242TRT Option only available with DS (Dual Switching) option.
6. 120 or 277V only.
7. Uses Torx T20 rejection pin drive system. You may order RK1 T2ODRV U Torx driver accessory.
8. For dimensional changes refer to [TECH-140](#). For 57W and 70W consult factory.

Distribution Curve Distribution Data Output Data Coefficient of Utilization Illuminance: Single Luminaire 30" Above Floor

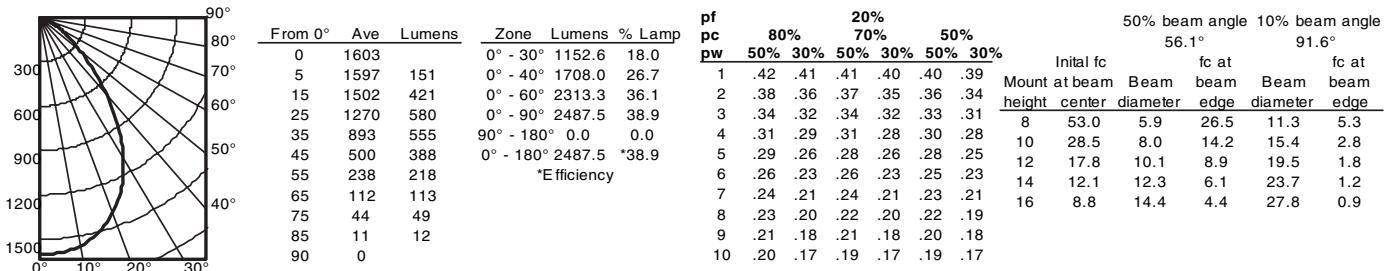
LGF 1/42TRT 8RW T73 42TRT LAMP, 1.1 S/MH, 3200 RATED LUMENS, TEST NO. LTL14210



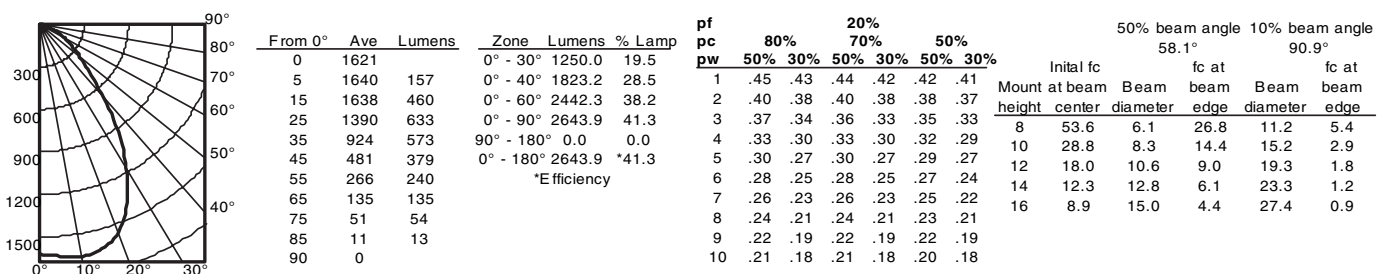
LGF 1/42TRT 8RW FFL 42TRT LAMP, 0.9 S/MH, 3200 RATED LUMENS, TEST NO. LTL14211



LGF 2/42TRT 8RW T73 42TRT LAMP, 1.1 S/MH, 3200 RATED LUMENS, TEST NO. LTL14198



LGF 2/42TRT 8RW FFL 42TRT LAMP, 1.1 S/MH, 3200 RATED LUMENS, TEST NO. LTL14217



PHOTOMETRY NOTES

- Tested to current IES and NEMA standards under stabilized laboratory conditions.
- Actual performance may differ as a result of end-user environment and application.
- Consult factory or IES file for microgroove baffle, black cone or other photometric reports.