



Gotham Architectural Downlighting  
International Compact Fluorescent Downlights

**LGFVI**  
**20.3cm (8") Round Lens**

Wet Location  
Vertical DTT or TRT Lamp

FEATURES

**OPTICAL SYSTEM**

- Aluminum upper reflector coated with highly reflective white paint provides high efficiency and an evenly illuminated aperture appearance.
- Available with tempered prismatic lens (T73), flat fresnel lens (FFL) or flat opal lens (FOL).
- Regressed white door (RW) or stepped black baffle (SB) are available with white painted flange provided.
- Door is retained by self-aligning, torsion support springs, preventing gaps between door and ceiling.

**MECHANICAL SYSTEM**

- Pre-wired galvanized steel junction box mounted to reflector is provided with removable access cover. No. 12 AWG conductors rated for 90°C.
- Three (3) swinggate brackets allow for installation from below the ceiling. Suitable for ceiling thickness ranging from 1.59cm (5/8") to 2.54cm (1").

**ELECTRICAL SYSTEM**

- Rugged aluminum lampholder housing.
- Vertically-mounted, four-pin, positive-latch, thermoplastic socket.

- Thermally protected, high power factor electronic ballast (50/60Hz) mounted to the junction box.
- Eurostyle terminal block included for power supply and ground connections required for CE.

**LISTING**

- MVOLT, 120V and 277V fixtures are UL Listed, non-IC recessed mounting and wet locations. 220V and 240V fixtures are CE certified and rated IP44.

**WARRANTY**

- 1-year limited warranty. Complete warranty terms located at [www.acuitybrands.com/CustomerResources/Terms\\_and\\_conditions.aspx](http://www.acuitybrands.com/CustomerResources/Terms_and_conditions.aspx)

ORDERING INFORMATION

**EXAMPLE: LGFVI 32TRT 8RW T73 240**

Series	Wattage/Lamp	Aperture/Trim color	Lens type	Voltage	Ballast	Options	
LGFVI	13DTT	8RW	T73 Tempered prismatic lens FFL Flat fresnel lens FOL Flat opal lens PPC Prismatic polycarbonate lens	MVOLT <sup>1,2</sup> 120 <sup>2</sup> 220 <sup>3</sup> 240 <sup>3</sup> 277 <sup>2</sup>	(blank)	TRDA Tamper-resistant door assembly WLP With 3500 K lamp (shipped separately) GSKT Foam gasketing, ships uninstalled	
	18DTT				Electronic ballast		
	26DTT	8SB			ECOS		Lutron EcoSystem® electronic dimming ballast. Minimum dimming level 5%.
	13TRT	Stepped black baffle			ADEZ <sup>4</sup>		Advance Mark 10® electronic dimming ballast. Minimum dimming level 5%
	18TRT	8RA			ADZT <sup>4</sup>		Advance Mark 7® electronic 0-10V DC dimming ballast. Minimum dimming level 3%
	26TRT	Regressed anodized			VDB <sup>5</sup>		Vossloh 0-10V dimming ballast
	32TRT						
	42TRT						

NOTES

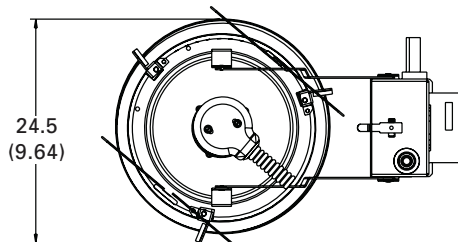
**ORDERING NOTES**

1. Multi-volt electronic ballast capable of operating on any line voltage from 120V through 277V, 50 or 60 Hz.
2. Available with UL listing only. 120-277V, 50/60Hz.
3. Available with CE listing only. 220-240V, 50/ 60 Hz.
4. Available with 120V or 277V only.
5. Available with 220V or 240V only.

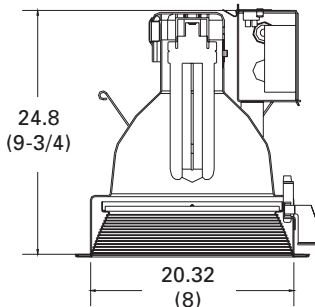
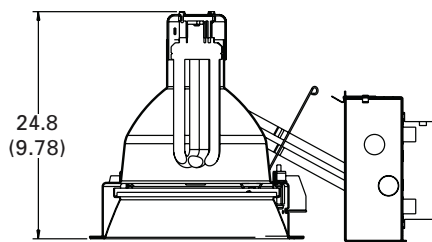
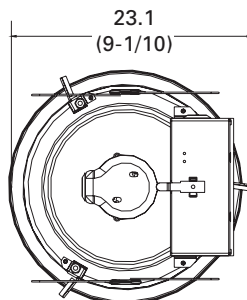
DIMENSIONAL DATA

All dimensions are inches (centimeters) unless otherwise noted.

**UL Listed**



**CE Certified**

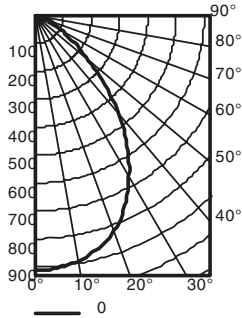


Aperture: 20 (7-7/8)  
 Ceiling Opening: 21.3 (8-3/8)  
 Overlap Trim: 23.5 (9-1/4)

Distribution Curve    Distribution Data    Output Data    Coefficient of Utilization    Illuminance: Single Luminaire 30" Above Floor

**LGFVI 42TRT 8RW T73**

42TRT LAMP, 1.1 S/MH, 3200 RATED LUMENS, TEST NO. LTL14206

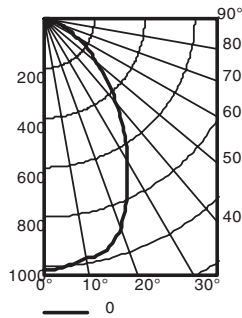


From 0°	Ave	Lumens	Zone	Lumens	% Lamp
0	913		0° - 30°	673.3	21.0
5	909	86	0° - 40°	1027.0	32.1
15	864	243	0° - 60°	1451.9	45.4
25	752	344	0° - 90°	1572.5	49.1
35	569	354	90° - 180°	0.0	0.0
45	350	270	0° - 180°	1572.5	*49.1
55	170	155			*E efficiency
65	79	80			
75	29	33			
85	7	8			
90	0				

pf	20%						50% beam angle					
	80%		70%		50%		58.1°		10% beam angle		95.0°	
pc	50%	30%	50%	30%	50%	30%	Initial fc	Mount at beam	Beam	beam	Beam	beam
pw	50%	30%	50%	30%	50%	30%	height	center	diameter	edge	diameter	edge
1	.53	.51	.52	.50	.50	.49	8	30.2	6.1	15.1	12.0	3.0
2	.48	.45	.47	.44	.45	.43	10	16.2	8.3	8.1	16.4	1.6
3	.43	.40	.42	.39	.41	.38	12	10.1	10.6	5.1	20.7	1.0
4	.39	.35	.38	.35	.37	.34	14	6.9	12.8	3.5	25.1	0.7
5	.36	.32	.35	.32	.34	.31	16	5.0	15.0	2.5	29.4	0.5
6	.33	.29	.32	.29	.31	.28						
7	.30	.26	.30	.26	.29	.26						
8	.28	.24	.27	.24	.27	.24						
9	.26	.22	.25	.22	.25	.22						
10	.24	.20	.24	.20	.23	.20						

**LGFVI 42TRT 8RW FFL**

42TRT LAMP, 1.0 S/MH, 3200 RATED LUMENS, TEST NO. LTL14207



From 0°	Ave	Lumens	Zone	Lumens	% Lamp
0	1013		0° - 30°	721.8	22.6
5	1004	95	0° - 40°	1067.7	33.4
15	966	269	0° - 60°	1529.5	47.8
25	781	358	0° - 90°	1682.7	52.6
35	554	346	90° - 180°	0.0	0.0
45	354	275	0° - 180°	1682.7	*52.6
55	208	187			*E efficiency
65	103	103			
75	36	40			
85	9	10			
90	0				

pf	20%						50% beam angle					
	80%		70%		50%		54.8°		10% beam angle		94.1°	
pc	50%	30%	50%	30%	50%	30%	Initial fc	Mount at beam	Beam	beam	Beam	beam
pw	50%	30%	50%	30%	50%	30%	height	center	diameter	edge	diameter	edge
1	.56	.55	.55	.54	.53	.52	8	33.5	5.7	16.7	11.8	3.3
2	.51	.48	.50	.47	.48	.46	10	18.0	7.8	9.0	16.1	1.8
3	.46	.42	.45	.42	.43	.41	12	11.2	9.9	5.6	20.4	1.1
4	.41	.38	.41	.37	.40	.36	14	7.7	11.9	3.8	24.7	0.8
5	.38	.34	.37	.33	.36	.33	16	5.6	14.0	2.8	29.0	0.6
6	.35	.30	.34	.30	.33	.30						
7	.32	.28	.31	.28	.31	.27						
8	.29	.25	.29	.25	.28	.25						
9	.27	.23	.27	.23	.26	.23						
10	.25	.22	.25	.22	.25	.21						

PHOTOMETRY NOTES

- Tested to current IES and NEMA standards under stabilized laboratory conditions.
- Actual performance may differ as a result of end-user environment and application.
- Consult factory or IES file for microgroove baffle, black cone or other photometric reports.