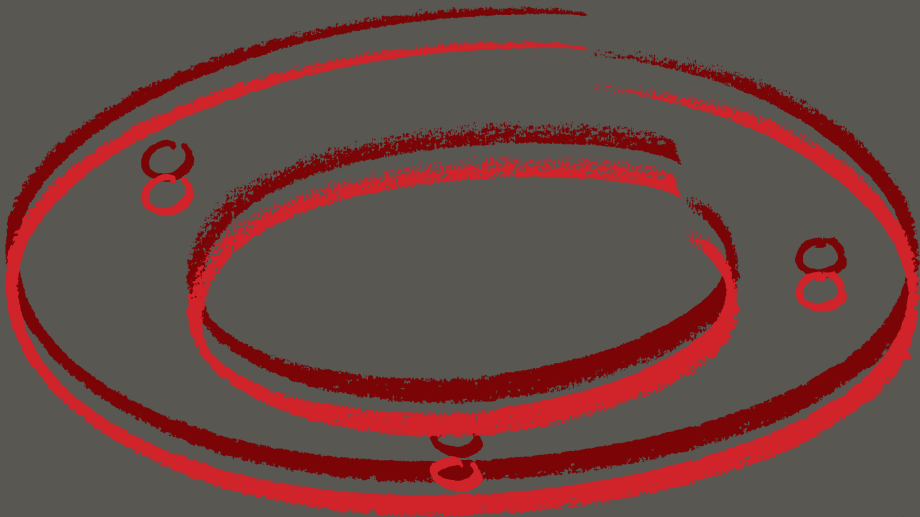


lightshield™

ELEGANT APPEARANCE, ROBUST PROTECTION



gotham®

In some high-traffic public environments vandalism of lighting fixtures can be an unfortunate reality. To address it, specifiers have settled for surface-mounted products specifically engineered to resist damage, often compromising lighting performance and aesthetics in the process. Now Gotham has developed an effective means to protect its most popular recessed luminaires. While maintaining the quality and continuity of lighting throughout a space, Lightshield™ components take a strong stand against vandalism.

Lightshield™ components provide a rugged, tamper-proof barrier, protecting Gotham recessed luminaires from theft and attempts at vandalism. They are secured easily and conveniently to the housing and trim assembly of most Gotham 6" or 8" open aperture recessed luminaires including our compact fluorescent, metal halide and incandescent downlights. A wide selection of color finishes and lens types give specifiers flexibility to achieve the look and degree of protection desired.

GOTHAM DOWNLIGHTS AVAILABLE WITH LIGHTSHIELD

(6" AND 8" OPEN APERTURES)

AF	horizontal compact fluorescent	CFL
AFV	vertical compact fluorescent	CFL
AH	metal halide	HID
APRH	par metal halide	HID
A	incandescent	INC
AZ	low profile incandescent	INC
APR	par incandescent	INC

LENS OPTIONS

T73	3/16" tempered prismatic glass lens	
PC	3/16" clear polycarbonate lens	
PPC	3/16" prismatic polycarbonate lens	
CGL	1/8" clear glass lens	
FOL	1/8" tempered flush opal glass lens	
CVX	3/16" clear convex glass lens	
PCU	3/16" clear polycarbonate lens underlay (roomside)	
WG	zinc-plated wire guard	

FINISHES

DWH	DWHG	DDB	SCH	PWR	ORB
gloss white powder coat	matte white powder coat	dark bronze powder coat	satin chrome plating	pewter plating	oil rubbed bronze plating

Note: Custom paint colors available upon request.

VANDAL RESISTANCE WITHOUT COMPROMISE.

A variety of specialized lighting products on the market offer protection against commonplace vandalism and abuse. In areas where such activity is prevalent (i.e. mass transit areas, airports, schools, sports complexes), they serve a purpose. However most are bulky, high-glare surface-mounted fixtures hardly in keeping with the lighting performance and minimal appearance you seek for contemporary architectural environments.

With the introduction of Lightshield™ Gotham has thoughtfully addressed this issue, offering the protection you need, where you need it, without compromising your lighting scheme. By choosing high-performance Gotham recessed downlights – even in areas subject to abuse – you're assured a consistent high level of lighting effectiveness and continuity of appearance.

Lightshield attaches with tamper-resistant screws and fittings over the luminaire housings and trim assemblies. For new construction projects simply specify the Lightshield components needed. For existing installations where increased protection is necessary, Lightshield offers an easy solution. No modification of existing Gotham products is necessary.

Lightshield is guaranteed to protect your lighting. Any luminaire with a polycarbonate lensed Lightshield accessory that is rendered inoperable as a result of vandalism will be repaired or replaced without charge for the life of the product.



A PLEASING, MINIMAL APPEARANCE.

Lightshield components form a decorative aperture that blends appropriately with surrounding architecture. Unlike most vandal-resistant lighting products, the appearance is elegant and minimal. Plated or painted cast aluminum bezel faceplates in a range of hues allow you to vary the appearance or support a specific visual theme such as school colors or high-end metal finishes. Flat and convex lenses are available in glass, acrylic or polycarbonate in varying thicknesses depending on the degree of protection required. A wire guard option lends an additional barrier where needed.

SUPERIOR GOTHAM PERFORMANCE.

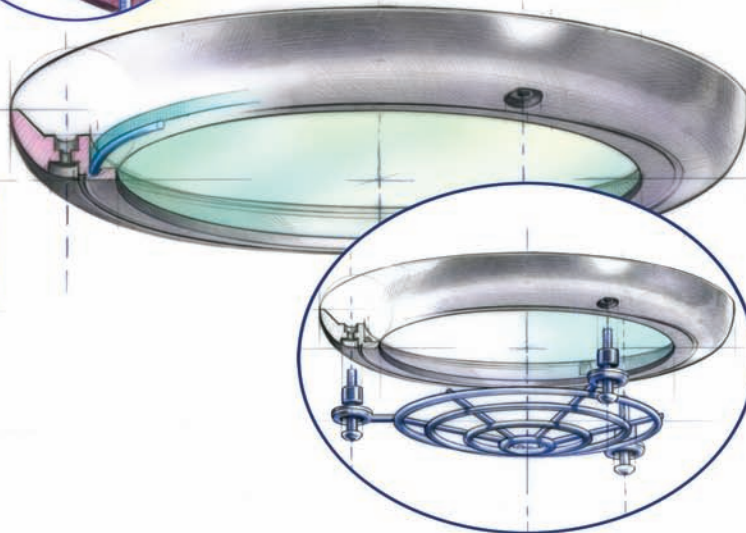
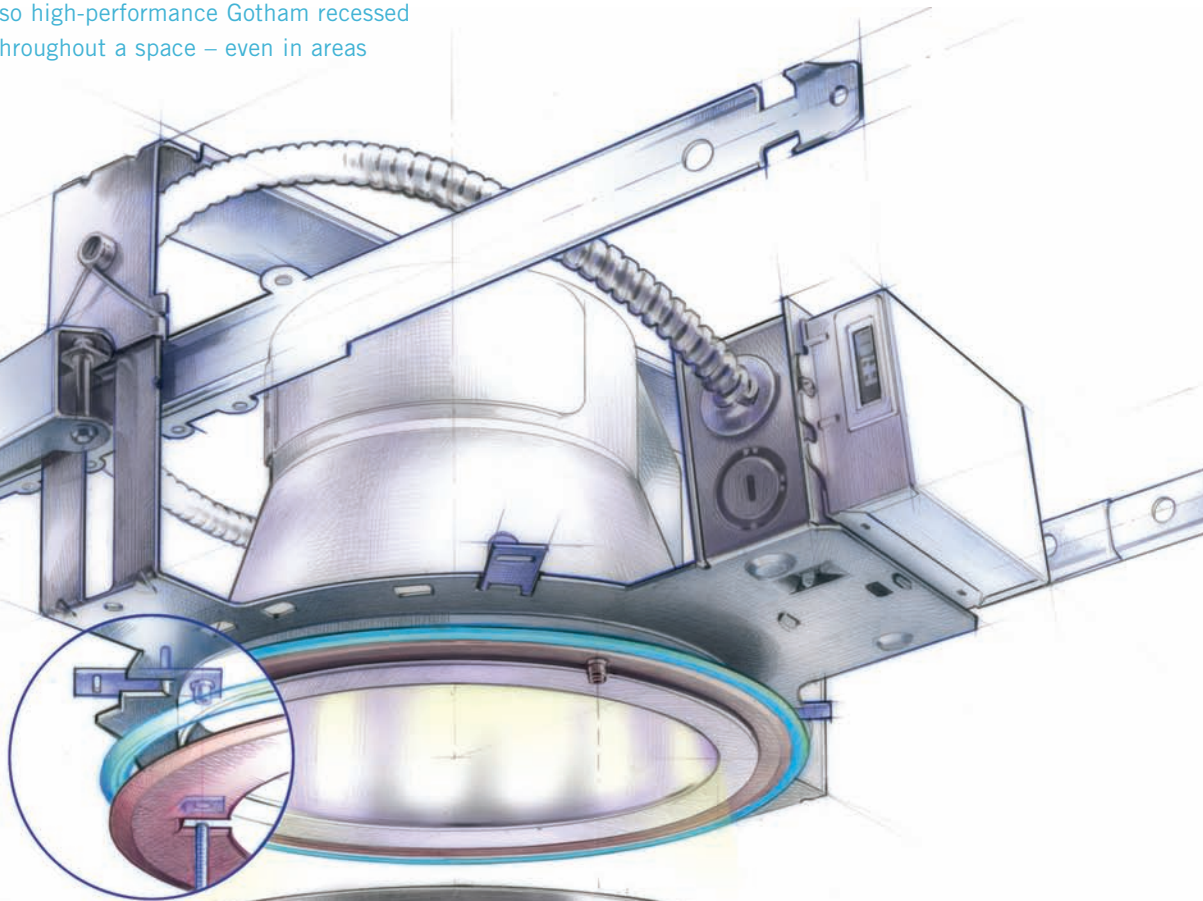
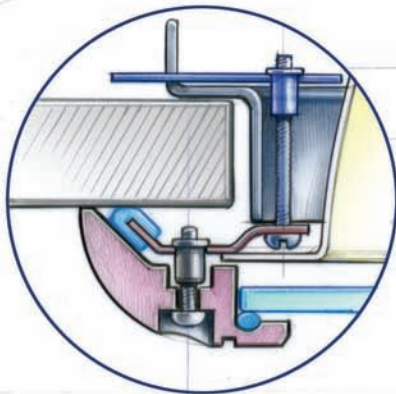
Now Gotham recessed downlights can be specified for use throughout a space, even in areas where the potential for rough service exists. Gotham's patented Bounding Ray™ optical design assures excellent light distribution and optimal efficiency no matter which lamping source you choose – compact fluorescent, metal halide or incandescent.

Visit www.gothamlighting.com or ask your lighting representative for complete information on Lightshield vandal-resistant components for Gotham recessed downlights.

Why compromise a lighting scheme with bulky, surface-mounted vandal-resistant fixtures? Lightshield™ offers the robust protection you need, where you need it, so high-performance Gotham recessed luminaires can be employed throughout a space – even in areas most subject to abuse.

Lightshield is available with ingress protection preventing moisture and dust from entering the luminaire from the room-side. Refer to the GVRT specification sheet for details.

Lightshield components are easily installed using tamper-resistant screws and fittings over the housing and trim assembly of most Gotham 6" or 8" aperture recessed downlights. No luminaire modifications are necessary.



Plated or painted cast aluminum bezel faceplates are available in a range of standard architectural colors; specific colors can be matched upon request. The decorative apertures extend only slightly into the space, minimizing ceiling clutter.

Protected by Lightshield, Gotham recessed luminaires assure comfortable, low-brightness illumination in high-abuse areas. Patented Bounding Ray™ reflectors optimize efficiency and optical control of all available lamping sources – compact fluorescent, metal halide or incandescent.

Flat and convex lenses of acrylic, polycarbonate or glass may be specified in varying thicknesses, depending on the degree of protection required. A wire guard option lends an additional barrier where necessary.



Lightshield components install easily over high-performance Gotham recessed luminaires, providing protection without sacrificing lighting effectiveness.



ORDERING INFORMATION

LIGHTSHIELD™

SERIES	APERTURE	LENS	OPTIONS	ARCHITECTURAL COLORS ² & FINISHES
GVRT	6	PCL 3/16" Clear polycarbonate lens	PCU 3/16" Clear polycarbonate lens underlay (roomside)	Plated Finish PWR Pewter SCH Satin chrome ORB Oil-rubbed bronze Powder Coat DWHG Matte white DDB Dark bronze DBL Black DWH Gloss white DMB Medium bronze DNA Natural aluminum DSS Sandstone DGC Charcoal gray DTG Tennis green DBR Bright red DSB Steel blue
	8	CGL 1/8" Clear glass lens		
	T73 3/16" Tempered prismatic glass lens	WG Zinc-plated wire guard		
	PPC 3/16" Prismatic polycarbonate lens	IP55 IP55 ingress protection rating		
	FOL 1/8" Tempered flush opal glass lens			
	CVX ¹ 3/16" Clear convex glass lens			
	L/LENS No Lens			

NOTES

1. Not available with PCU option.
2. Additional architectural colors available; please see brochure 794.3.

ACCESSORIES

RK1 T20DRV Torx T20 screwdriver



GOTHAM ARCHITECTURAL DOWNLIGHTING
 A DIVISION OF ACUITY BRANDS LIGHTING, INC.
 1400 Lester Rd Conyers, Georgia 30012
 P 800 315 4982 F 770 860 3129
www.gothamlighting.com