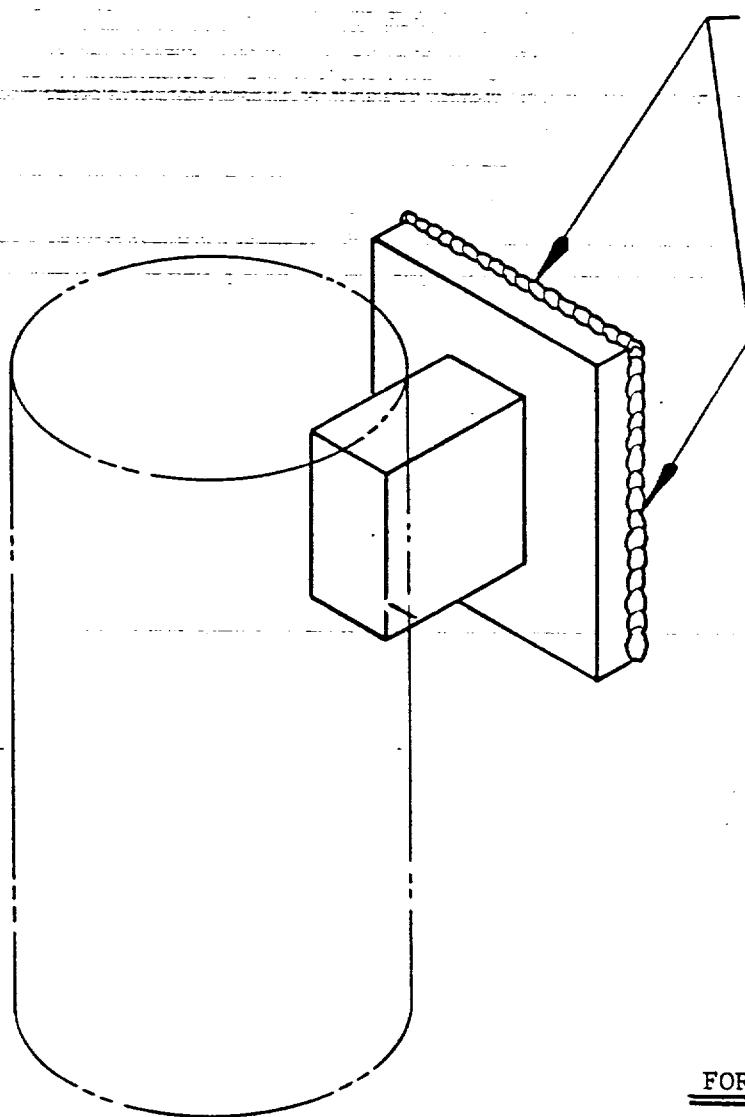


INSTRUCTION SHEET WALL MOUNTED WET LOCATION FIXTURE



AFTER MOUNTING FIXTURE TO WALL,
PLACE A BEAD OF SILICONE BASED
CAULKING COMPOUND ALONG WHERE
THE MOUNTING BRACKET MEETS THE
WALL ON THE TOP AND ON EACH SIDE.
DO NOT CAULK ALONG THE BOTTOM.

CJ52022

FOR FIXTURE TYPES:

- CEW 10
- CEW 13
- CEWS 13
- CW 15
- CWS 15
- CW 6