



Gotham Architectural Downlighting  
International Incandescent Downlights/Wallwash

**AII/AWI**  
**20.3cm (8") Open/Wallwash Reflector**

FEATURES

**OPTICAL SYSTEM**

- Reflector: Self-flanged, semi-specular or matte-diffuse reflector. Patented Bounding Ray™ Optical Principle design (U.S. Patent No. 5,800,050) provides lamp before lamp image and smooth transition from top of reflector to bottom. Minimum flange matches reflector finish.
- Wallwash: Highly reflective outer kicker reflector provides smooth, uniform illumination floor to ceiling, edge to edge. Inner cone is contoured to eliminate room side flash. For optimal uniformity, the recommended luminaire spacing is 0.9m (3') from the wall and 0.9m (3') centers.

**MECHANICAL SYSTEM**

- Galvanized steel junction box is mounted to reflector with hinge mechanism. Knockouts provided for power supply feed. No. 12 AWG conductors, rated for 90°C.
- Three (3) swinggate brackets allow for installation from below the ceiling. Suitable for ceiling thickness ranging from 1.59cm (5/8") to 2.54cm (1").

**ELECTRICAL SYSTEM**

- Die-cast aluminum lampholder housing.
- Medium-base porcelain socket with nickelplated screw shell.
- Eurostyle terminal block included for power supply and ground connections required for CE.

**LISTING**

- 120V fixtures are UL Listed, Non-IC recessed mounting and damp locations. 240V fixtures are CE certified and rated IP20.

**WARRANTY**

- 1-year limited warranty. Complete warranty terms located at: [www.acuitybrands.com/CustomerResources/Terms\\_and\\_conditions.aspx](http://www.acuitybrands.com/CustomerResources/Terms_and_conditions.aspx)

ORDERING INFORMATION

**EXAMPLE: AII 8AR 120**

Series <sup>1</sup>	Aperture/Trim color	Finish	Lens type <sup>3</sup>	Voltage	Options
<b>AII</b>	<b>8AR</b> Clear	(blank) Semi-specular	(blank) No lens	<b>120</b> UL Listed	<b>SF</b> Single fuse
<b>AWI</b>	<b>8PR</b> Pewter	<b>LD</b> Matte-diffuse	<b>CGL</b> Clear glass lens	<b>240</b> CE Certified	<b>TRW<sup>4</sup></b> White painted flange
	<b>8WTR</b> Wheat	<b>LS</b> Specular	<b>T73</b> Tempered prismatic lens		<b>TRBL</b> Black painted flange
	<b>8GR</b> Gold				<b>GSKT</b> Foam gasketing
	<b>8WC<sup>2,3</sup></b> White painted				
	<b>8BC<sup>2,3</sup></b> Black Cone				

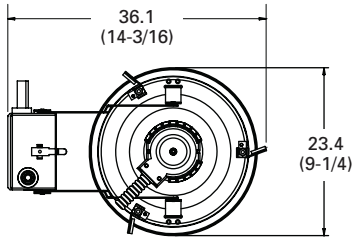
NOTES

ORDERING NOTES
<ol style="list-style-type: none"> <li>1. Maximum wattage: 150W.</li> <li>2. Not available with finishes.</li> <li>3. AII only.</li> <li>4. Standard on 8WC.</li> </ol>

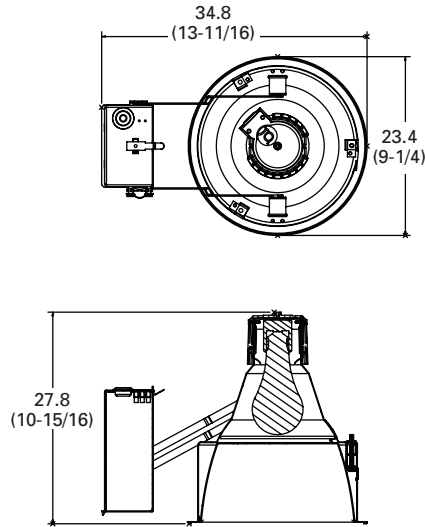
DIMENSIONAL DATA

All dimensions are inches (centimeters) unless otherwise noted.

ULLISTED



CE CERTIFIED



Aperture: 20.0 (7-7/8)  
Ceiling opening: 21.9 (8-5/8)  
Overlap trim: 23.5 (9-1/4)

ELECTRICAL

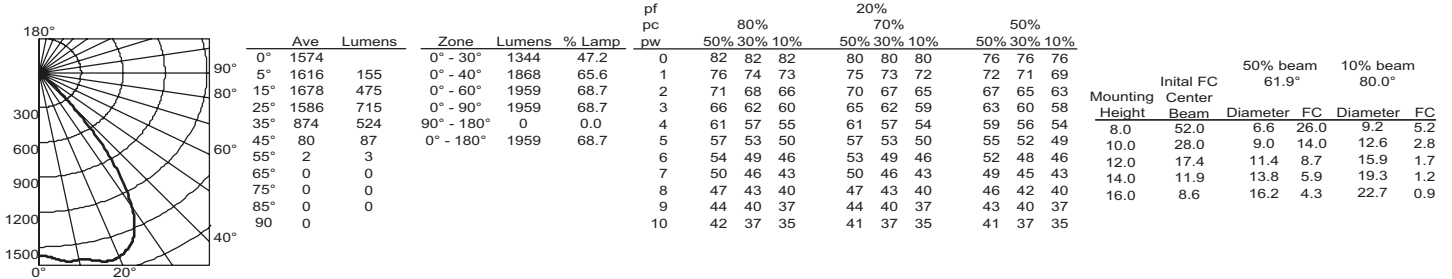
ENERGY (Calculated in accordance with NEMA standard LE-5A)

LER.DOL	Annual* Energy Cost	Lamps	Lamp Lumens	Ballast Factor	Input Watts
12	\$20.67	(1) 100W A19	1710	N/A	100
13	\$18.58	(1) 150W A21	2850	N/A	150

\*Comparative yearly lighting energy cost per 1000 lumens

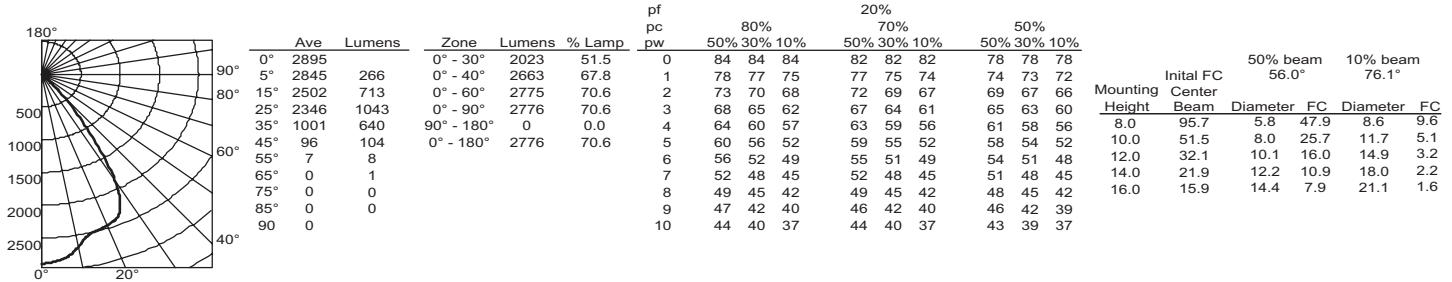
Distribution Curve    Distribution Data    Output Data    Coefficient of Utilization    Illuminance: Single Luminaire 30" Above Floor

**AII 8AR (150 A21)**    (1) 150A LAMP, 2780 RATED LUMENS, 1.2 S/MH, TEST NO. LTL7618



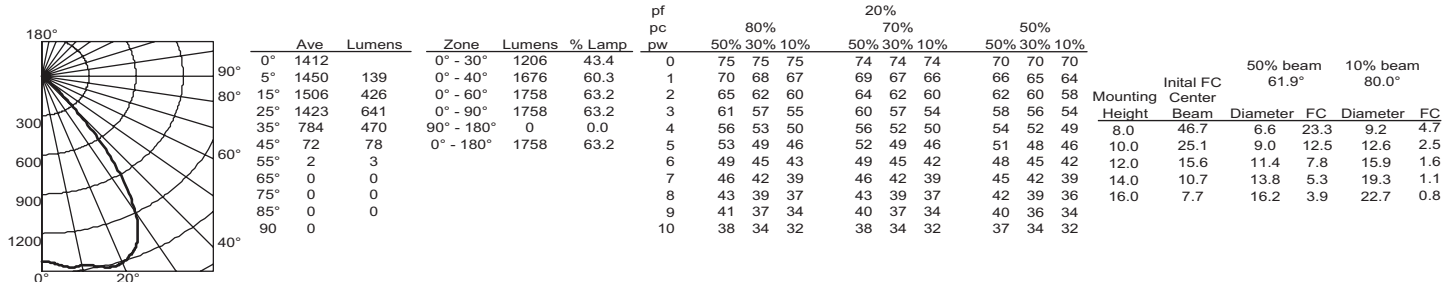
Mounting Height	Initial Center Beam	50% beam		10% beam	
		Diameter	FC	Diameter	FC
8.0	52.0	6.6	26.0	9.2	5.2
10.0	28.0	9.0	14.0	12.6	2.8
12.0	17.4	11.4	8.7	15.9	1.7
14.0	11.9	13.8	5.9	19.3	1.2
16.0	8.6	16.2	4.3	22.7	0.9

**AII 8AR (200 A23)**    (1) 200A LAMP, 3930 RATED LUMENS, 1.1 S/MH, TEST NO. LTL8058



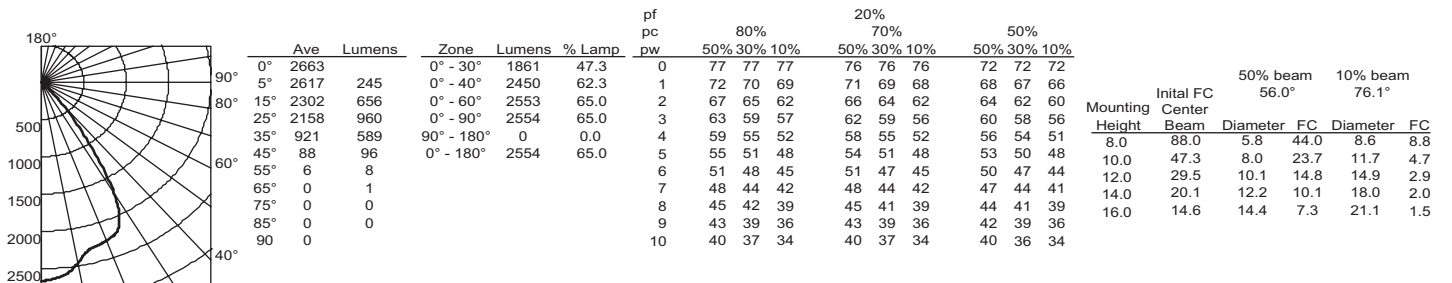
Mounting Height	Initial Center Beam	50% beam		10% beam	
		Diameter	FC	Diameter	FC
8.0	95.7	5.8	47.9	8.6	9.6
10.0	51.5	8.0	25.7	11.7	5.1
12.0	32.1	10.1	16.0	14.9	3.2
14.0	21.9	12.2	10.9	18.0	2.2
16.0	15.9	14.4	7.9	21.1	1.6

**AII 8AR GL (150 A21)**    (1) 150A LAMP, 2780 RATED LUMENS, 1.2 S/MH, TEST NO. LTL7760



Mounting Height	Initial Center Beam	50% beam		10% beam	
		Diameter	FC	Diameter	FC
8.0	46.7	6.6	23.3	9.2	4.7
10.0	25.1	9.0	12.5	12.6	2.5
12.0	15.6	11.4	7.8	15.9	1.6
14.0	10.7	13.8	5.3	19.3	1.1
16.0	7.7	16.2	3.9	22.7	0.8

**AII 8AR GL (200 A23)**    (1) 200A LAMP, 3930 RATED LUMENS, 1.1 S/MH, TEST NO. LTL8091



Mounting Height	Initial Center Beam	50% beam		10% beam	
		Diameter	FC	Diameter	FC
8.0	88.0	5.8	44.0	8.6	8.8
10.0	47.3	8.0	23.7	11.7	4.7
12.0	29.5	10.1	14.8	14.9	2.9
14.0	20.1	12.2	10.1	18.0	2.0
16.0	14.6	14.4	7.3	21.1	1.5

**PHOTOMETRY NOTES**

- Tested to current IES and NEMA standards under stabilized laboratory conditions.
- Actual performance may differ as a result of end-user environment and application.
- Consult factory or IES file for microgroove baffle, black cone or other photometric reports.