



Gotham Architectural Downlighting
Compact Fluorescent Downlights

6" AFLP
Low Profile

Horizontal DTT or TRT lamp

FEATURES

OPTICAL SYSTEM

- Self-flanged, semi-specular or matte-diffuse reflector. Fluted vertical upper section works in conjunction with Patented Bounding Ray™ Optical Principle design (U.S. Patent No. 5,800,050) to provide lamp before lamp image and smooth transition from top of reflector to bottom. Minimum flange matches reflector finish.
- Hinged lampdoor seals upper trim for optimal fixture efficiency and the reduction of stray light in the plenum.

MECHANICAL SYSTEM

- 16-gauge galvanized steel mounting/plaster frame. Maximum 1-1/4" ceiling thickness.
- 16-gauge galvanized steel mounting bars with continuous 4" vertical adjustment are shipped pre-installed. Post-installation adjustment possible without the use of tools from above or below the ceiling.
- Galvanized steel junction box with hinged access covers and spring latch. Two combination 1/2"-3/4" and three 1/2" knockouts for straight-through conduit runs. Capacity: 8 (4 in, 4 out) No. 12 AWG conductors, rated for 90°C.
- Low-profile design allows for 4-3/8" fixture depth above ceiling.

ELECTRICAL SYSTEM

- Horizontally mounted, positive-latch, thermoplastic socket.
- Class P, thermally protected, high-power-factor electronic ballast mounted to the junction box.
- SIMPLY5™ technology available.

LISTING

- Fixtures are UL Listed for thru-branch wiring, non-IC recessed mounting and damp locations. Listed and labeled to comply with Canadian standards.

WARRANTY

- 1-year limited warranty. Complete warranty terms located at www.acuitybrands.com/CustomerResources/Terms_and_conditions.aspx

ORDERING INFORMATION

EXAMPLE: AFLP 1/26TRT 6AR MVOLT

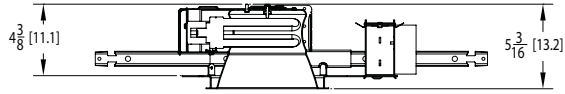
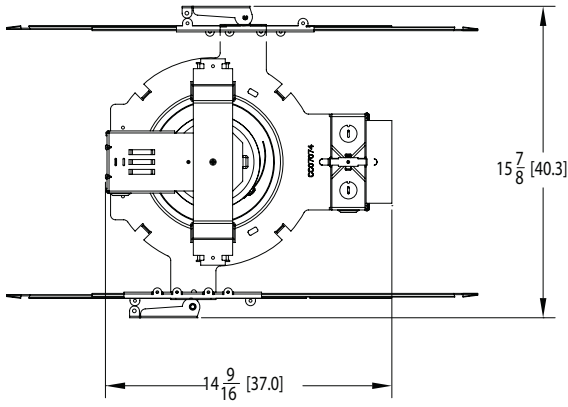
Series	Wattage/Lamp	Aperture/Trim color	Finish	Voltage	Ballast ³
AFLP	1/13DTT	6AR Clear	(blank) Semi-specular	MVOLT²	(blank) Electronic ballast
	1/18DTT	6PR Pewter	LD Matte-diffuse	120	ECOS^{2,4} EcoSystem® electronic dimming ballast. Minimum dimming level 5%
	1/26DTT	6WTR Wheat		277	ADEZ^{4,5} Advance Mark 10® electronic dimming ballast. Minimum dimming level 5%
	1/13TRT	6WR¹ White painted		347	ADZT^{4,5} Advance Mark 7® electronic dimming ballast. Minimum dimming level 5%
	1/18TRT				S5⁶ SIMPLY5™ system ballast. Minimum dimming level 15%
	1/26TRT				
	1/32TRT				
	1/42TRT				

Options

- ELR⁷** Emergency battery pack, remote test switch
- ELRHL⁷** High lumen output emergency battery pack, remote test switch provided
- GMF⁵** Single, slow-blow fuse
- GLR⁵** Single, fast-blow fuse
- TRW** White painted flange
- TRBL** Black painted flange
- DS** Dual switching
- CP⁸** Chicago plenum
- WLP** With 3500 K lamp (shipped separately)
- HW** Hardwire for S5 system; replaces RELOC®
- NEPP** Interface for Sensor Switch® nLight® network with integral power supply. Refer to TN-623-01.
- WRL⁹** Wattage restriction label

DIMENSIONAL DATA

All dimensions are inches (centimeters) unless otherwise noted.



Aperture: 6-1/4 (15.9)
 Ceiling Opening: 7-1/8 (18.1)
 Overlap Trim: 7-1/2 (19.1)

NOTES

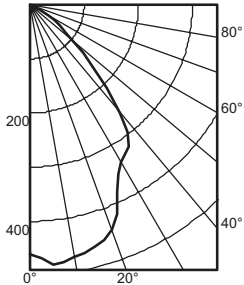
ORDERING NOTES

- | | |
|--|---|
| 1. Not available with finishes. | 7. For dimensional changes, refer to TECH-140 . |
| 2. Multi-volt electronic ballast capable of operating on any voltage from 120V through 277V, 50 or 60 Hz. | 8. Not available with emergency options. |
| 3. For additional ballast types, refer to TECH-250 . | 9. Must specify wattage. Ex.: WRL32 |
| 4. Not available with 13W. | |
| 5. Available in 120V or 277V only. | |
| 6. SIMPLY5™ includes 9' S5 MLC Reloc wiring system (shipped separately). Available in 120V or 277V only. Not available in 13W or 18W. See simply5.net for more information. | |

Distribution Curve Distribution Data Output Data Coefficient of Utilization Illuminance: Single Luminaire 30" Above Floor

AFLP 1/26TRT 6AR

(1) CF26TRT, 1800 LUMENS PER LAMP, 1.1 S/MH, TEST NO. LTL19056

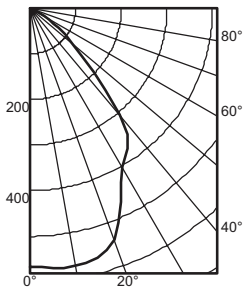


Ave Lumens	Zone	Lumens	% Lamp	pf pc pw	80%			70%			50%		
					50%	30%	10%	50%	30%	10%	50%	30%	10%
0	0° - 30°	352.2	19.6	0	50	50	50	49	49	49	47	47	47
5	0° - 40°	546.0	30.3	1	46	45	44	45	44	43	43	42	41
15	0° - 60°	738.8	41.0	2	42	40	38	41	39	38	40	38	37
25	0° - 90°	756.9	42.1	3	38	35	33	37	35	33	36	34	33
35	90° - 180°	0.0	0.0	4	35	32	30	34	32	30	33	31	29
45	0° - 180°	756.9	*42.1	5	32	29	27	31	29	26	31	28	26
55			*Efficiency	6	29	26	24	29	26	24	28	26	24
65				7	27	24	22	27	24	22	26	23	22
75				8	25	22	20	25	22	20	24	22	20
85				9	23	20	18	23	20	18	22	20	18
90				10	22	19	17	21	19	17	21	18	17

Mounting Height	Initial FC		50% beam -		10% beam -	
	Center Beam	Diameter	FC	Diameter	FC	FC
8.0	15.3	6.0	7.6	11.7	1.5	57.5° 93.4°
10.0	8.2	8.2	4.1	15.9	0.8	
12.0	5.1	10.4	2.6	20.2	0.5	
14.0	3.5	12.6	1.7	24.4	0.4	
16.0	2.5	14.8	1.3	28.7	0.3	

AFLP 1/32TRT 6AR

(1) CF32TRT, 1800 LUMENS PER LAMP, 1.1 S/MH, TEST NO. LTL19057

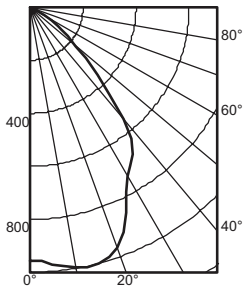


Ave Lumens	Zone	Lumens	% Lamp	pf pc pw	80%			70%			50%		
					50%	30%	10%	50%	30%	10%	50%	30%	10%
0	0° - 30°	429.0	23.8	0	60	60	60	58	58	58	56	56	56
5	0° - 40°	657.9	36.5	1	55	53	52	54	52	51	52	51	50
15	0° - 60°	883.3	49.1	2	50	47	45	49	47	45	47	46	44
25	0° - 90°	904.4	50.2	3	46	42	40	45	42	40	43	41	39
35	90° - 180°	0.0	0.0	4	42	38	36	41	38	35	40	37	35
45	0° - 180°	904.4	*50.2	5	38	35	32	38	34	32	37	34	31
55			*Efficiency	6	35	31	29	35	31	29	34	31	28
65				7	32	29	26	32	29	26	31	28	26
75				8	30	26	24	30	26	24	29	26	24
85				9	28	24	22	28	24	22	27	24	22
90				10	26	22	20	26	22	20	25	22	20

Mounting Height	Initial FC		50% beam -		10% beam -	
	Center Beam	Diameter	FC	Diameter	FC	FC
8.0	18.8	6.0	9.4	11.5	1.9	57.0° 92.8°
10.0	10.1	8.1	5.0	15.7	1.0	
12.0	6.3	10.3	3.1	19.9	0.6	
14.0	4.3	12.5	2.1	24.1	0.4	
16.0	3.1	14.7	1.6	28.3	0.3	

AFLP 1/42TRT 6AR

(1) CF42TRT, 3200 LUMENS PER LAMP, 1.2 S/MH, TEST NO. LTL19058



Ave Lumens	Zone	Lumens	% Lamp	pf pc pw	80%			70%			50%		
					50%	30%	10%	50%	30%	10%	50%	30%	10%
0	0° - 30°	765.8	23.9	0	61	61	61	59	59	59	57	57	57
5	0° - 40°	1179.5	36.9	1	55	54	53	54	53	52	52	51	50
15	0° - 60°	1592.1	49.8	2	51	48	46	50	47	45	48	46	44
25	0° - 90°	1628.4	50.9	3	46	43	41	45	42	40	44	41	40
35	90° - 180°	0.0	0.0	4	42	39	36	41	38	36	40	38	35
45	0° - 180°	1628.4	*50.9	5	39	35	32	38	35	32	37	34	32
55			*Efficiency	6	35	32	29	35	31	29	34	31	29
65				7	33	29	26	32	29	26	32	28	26
75				8	30	27	24	30	26	24	29	26	24
85				9	28	24	22	28	24	22	27	24	22
90				10	26	23	20	26	23	20	25	22	20

Mounting Height	Initial FC		50% beam -		10% beam -	
	Center Beam	Diameter	FC	Diameter	FC	FC
8.0	31.6	6.4	15.8	11.8	3.2	60.1° 93.9°
10.0	17.0	8.7	8.5	16.1	1.7	
12.0	10.6	11.0	5.3	20.4	1.1	
14.0	7.2	13.3	3.6	24.6	0.7	
16.0	5.2	15.6	2.6	28.9	0.5	

PHOTOMETRY NOTES

- Tested to current IES and NEMA standards under stabilized laboratory conditions.
- Actual performance may differ as a result of end-user environment and application.
- Consult factory or IES file for microgroove baffle, black cone or other photometric reports.