

Gotham Architectural Downlighting
Compact Fluorescent Downlights

6" AFLP
Low Profile

Cross Baffle
Horizontal DTT or TRT lamp

FEATURES

OPTICAL SYSTEM

- Anodized aluminum upper reflector with fluted lamp chamber provides high efficiency and an evenly illuminated aperture appearance.
- Available with clear glass lens (CGL), tempered prismatic lens (T73), Solite lens (SOL), flat opal lens (FOL), or prismatic polycarbonate lens (PPC).
- Semi-specular regressed door with cross baffle insert.
- Door is retained by self-aligning, torsion support springs, preventing gaps between door and ceiling.

MECHANICAL SYSTEM

- 16-gauge galvanized steel mounting/plaster frame. Maximum 1-1/4" ceiling thickness.
- 16-gauge galvanized steel mounting bars with continuous 4" vertical adjustment are shipped pre-installed. Post-installation adjustment possible without the use of tools from above or below ceiling.
- Galvanized steel junction box with hinged access covers and spring latch. Two combination 1/2"-3/4" and three 1/2" knockouts for straight-through conduit runs. Capacity: 8 (4 in, 4 out) No. 12 AWG conductors rated for 90°C.
- Low-profile design allows for 4-3/8" fixture depth above ceiling.

ELECTRICAL SYSTEM

- Galvanized steel lampholder housing.
- Horizontally mounted, four-pin, positive-latch, thermoplastic socket(s).
- Class P, thermally protected, high-power-factor electronic ballast(s) mounted to the junction box.
- SIMPLY5™ technology available.

LISTING

- Fixtures are UL Listed for thru-branch wiring, non-IC recessed mounting and damp locations. Listed and labeled to comply with Canadian standards.

WARRANTY

- 1-year limited warranty. Complete warranty terms located at www.acuitybrands.com/CustomerResources/Terms_and_conditions.aspx

ORDERING INFORMATION

EXAMPLE: AFLP 1/26TRT 6CB SOL MVOLT

Series	Wattage/Lamp	Aperture/Trim color	Lens type	Voltage	Ballast ²	
AFLP	1/13DTT	6CB Cross baffle	(blank) No lens	MVOLT ¹	(blank) Electronic ballast	
	1/18DTT		CGL Clear glass lens		ECOS ^{1,3} EcoSystem® electronic dimming ballast. Minimum dimming level 5%	
	1/26DTT		T73 Tempered prismatic lens		277	ADEZ ^{2,4} Advance Mark 10® electronic dimming ballast. Minimum dimming level 5%
	1/13TRT		SOL Solite lens		347	ADZT ^{3,4} Advance Mark 7® electronic dimming ballast. Minimum dimming level 5%
	1/18TRT		FOL Flat opal lens			S5 ⁵ SIMPLY5™ system ballast. Minimum dimming level 15%
	1/26TRT		PPC Prismatic polycarbonate lens			
	1/32TRT					
	1/42TRT					

Options

ELR ⁶	Emergency battery pack, remote test switch
ELRHL ⁶	High lumen output emergency battery pack, remote test switch provided
GMF ⁴	Single, slow-blow fuse
GLR ⁴	Single, fast-blow fuse
TRW	White painted flange
TRBL	Black painted flange
DS	Dual switching
CP ⁷	Chicago plenum
WLP	With 3500 K lamp (shipped separately)
WL	Wet location
HW	Hardwire for S5 system; replaces RELOC®
NEPP	Interface for Sensor Switch® nLight® network with integral power supply. Refer to TN-632-01.
WRL ⁸	Wattage restriction label

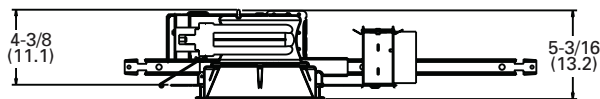
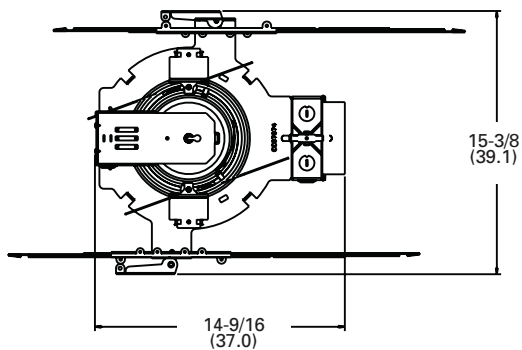
6" AFLP
Low Profile

Cross Baffle, Horizontal DTT or TRT lamp



DIMENSIONAL DATA

All dimensions are inches (centimeters) unless otherwise noted.



Aperture: 6-1/4 (15.9)
Ceiling Opening: 7-1/8 (18.1)
Overlap Trim: 7-1/2 (19.1)

NOTES

ORDERING NOTES

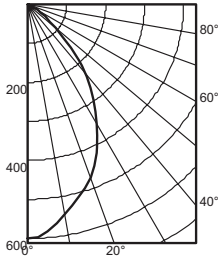
1. Multi-volt electronic ballast capable of operating on any voltage from 120V through 277V, 50 or 60 Hz.
2. For additional ballast types, refer to [TECH-250](#).
3. Not available with 13W.
4. Available in 120V or 277V only.
5. SIMPLY5™ includes 9' S5 MLC RELOC wiring system (shipped separately). Available in 120V or 277V only. Not available in 18W. See simply5.net for more information.
6. For dimensional changes, refer to [TECH-140](#).
7. Not available with emergency options.
8. Must specify wattage. Ex.: WRL32



Distribution Curve Distribution Data Output Data Coefficient of Utilization Illuminance: Single Luminaire 30" Above Floor

AFLP 1/32TRT 6CB

(1) CF32TRT, 2400 LUMENS PER LAMP, 1.0 S/MH, TEST NO. LTL19183

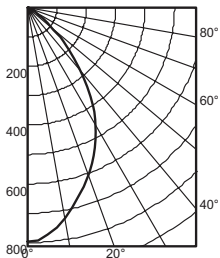


Ave Lumens	Zone	Lumens	% Lamp	pf	80%			20%			50%		
					pc	50%	30%	10%	70%	50%	30%	10%	50%
0	0° - 30°	389.2	16.2	0	38	38	38	37	37	37	35	35	35
5	0° - 40°	571.8	23.8	1	35	34	33	34	33	32	33	32	31
15	0° - 60°	743.7	31.0	2	32	30	29	31	30	29	30	29	28
25	0° - 90°	759.6	31.7	3	29	27	26	28	27	25	28	26	25
35	90° - 180°	0.0	0.0	4	27	24	23	26	24	23	25	24	22
45	0° - 180°	759.6	*31.7	5	24	22	21	24	22	21	23	22	20
55				6	23	20	19	22	20	19	22	20	19
65				7	21	19	17	21	19	17	20	18	17
75				8	19	17	16	19	17	16	19	17	16
85				9	18	16	14	18	16	14	18	16	14
90				10	17	15	13	17	15	13	16	15	13

Initial FC Center		50% beam - 51.3°		10% beam - 88.9°	
Mounting Height	Beam Diameter	FC Diameter	FC	Diameter	FC
8.0	19.9	5.3	9.9	10.8	2.0
10.0	10.7	7.2	5.3	14.7	1.1
12.0	6.7	9.1	3.3	18.7	0.7
14.0	4.5	11.1	2.3	22.6	0.5
16.0	3.3	13.0	1.6	26.5	0.3

AFLP 1/32TRT 6CB SOL

(1) CF32TRT, 2400 LUMENS PER LAMP, 0.9 S/MH, TEST NO. LTL19139

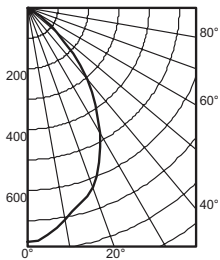


Ave Lumens	Zone	Lumens	% Lamp	pf	80%			20%			50%		
					pc	50%	30%	10%	70%	50%	30%	10%	50%
0	0° - 30°	506.6	21.1	0	48	48	48	47	47	47	45	45	45
5	0° - 40°	738.3	30.8	1	44	43	42	43	42	41	41	41	40
15	0° - 60°	944.5	39.4	2	40	38	37	39	38	36	38	37	36
25	0° - 90°	962.2	40.1	3	37	35	33	36	34	32	35	33	32
35	90° - 180°	0.0	0.0	4	34	31	29	33	31	29	32	30	29
45	0° - 180°	962.2	*40.1	5	31	28	26	31	28	26	30	28	26
55				6	29	26	24	28	26	24	28	26	24
65				7	27	24	22	26	24	22	26	24	22
75				8	25	22	20	25	22	20	24	22	20
85				9	23	20	19	23	20	19	23	20	19
90				10	22	19	17	22	19	17	21	19	17

Initial FC Center		50% beam - 50.3°		10% beam - 87.6°	
Mounting Height	Beam Diameter	FC Diameter	FC	Diameter	FC
8.0	26.4	5.2	13.2	10.5	2.6
10.0	14.2	7.0	7.1	14.4	1.4
12.0	8.8	8.9	4.4	18.2	0.9
14.0	6.0	10.8	3.0	22.1	0.6
16.0	4.4	12.7	2.2	25.9	0.4

AFLP 1/42TRT 6CB

(1) CF42TRT, 3200 LUMENS PER LAMP, 1.0 S/MH, TEST NO. LTL19184

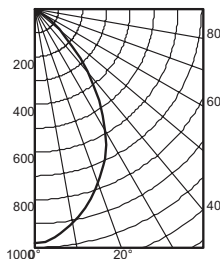


Ave Lumens	Zone	Lumens	% Lamp	pf	80%			20%			50%		
					pc	50%	30%	10%	70%	50%	30%	10%	50%
0	0° - 30°	513.3	16.0	0	37	37	37	37	37	37	35	35	35
5	0° - 40°	756.4	23.6	1	34	33	33	34	33	32	32	32	31
15	0° - 60°	985.2	30.8	2	31	30	29	31	29	28	30	29	28
25	0° - 90°	1006.0	31.4	3	29	27	25	28	27	25	27	26	25
35	90° - 180°	0.0	0.0	4	26	24	23	26	24	23	25	24	22
45	0° - 180°	1006.0	*31.4	5	24	22	20	24	22	20	23	22	20
55				6	22	20	19	22	20	18	22	20	18
65				7	21	18	17	20	18	17	20	18	17
75				8	19	17	16	19	17	15	19	17	15
85				9	18	16	14	18	16	14	17	16	14
90				10	17	15	13	17	15	13	16	14	13

Initial FC Center		50% beam - 52.7°		10% beam - 89.5°	
Mounting Height	Beam Diameter	FC Diameter	FC	Diameter	FC
8.0	25.5	5.5	12.8	10.9	2.6
10.0	13.7	7.4	6.9	14.9	1.4
12.0	8.6	9.4	4.3	18.8	0.9
14.0	5.8	11.4	2.9	22.8	0.6
16.0	4.2	13.4	2.1	26.8	0.4

AFLP 1/42TRT 6CB T73

(1) CF42TRT, 3200 LUMENS PER LAMP, 1.0 S/MH, TEST NO. LTL19147



Ave Lumens	Zone	Lumens	% Lamp	pf	80%			20%			50%		
					pc	50%	30%	10%	70%	50%	30%	10%	50%
0	0° - 30°	643.2	20.1	0	45	45	45	43	43	43	42	42	42
5	0° - 40°	933.6	29.2	1	41	40	39	40	39	38	39	38	37
15	0° - 60°	1175.6	36.7	2	38	36	34	37	35	34	36	34	33
25	0° - 90°	1196.7	37.4	3	34	32	31	34	32	30	33	31	30
35	90° - 180°	0.0	0.0	4	32	29	27	31	29	27	30	28	27
45	0° - 180°	1196.7	*37.4	5	29	27	25	29	26	25	28	26	24
55				6	27	24	23	27	24	23	26	24	22
65				7	25	23	21	25	22	21	24	22	21
75				8	23	21	19	23	21	19	23	20	19
85				9	22	19	18	22	19	18	21	19	17
90				10	20	18	16	20	18	16	20	18	16

Initial FC Center		50% beam - 51.7°		10% beam - 87.0°	
Mounting Height	Beam Diameter	FC Diameter	FC	Diameter	FC
8.0	32.5	5.3	16.3	10.4	3.3
10.0	17.5	7.3	8.7	14.2	1.7
12.0	10.9	9.2	5.5	18.0	1.1
14.0	7.4	11.1	3.7	21.8	0.7
16.0	5.4	13.1	2.7	25.6	0.5

PHOTOMETRY NOTES

- Tested to current IES and NEMA standards under stabilized laboratory conditions.
- Actual performance may differ as a result of end-user environment and application.
- Consult factory or IES file for microgroove baffle, black cone or other photometric reports.