



Gotham Architectural Downlighting
Compact Fluorescent Downlights

8" AFLP
Low Profile

Horizontal DTT or TRT lamp



FEATURES

OPTICAL SYSTEM

- Self-flanged, semi-specular or matte-diffuse reflector. Fluted vertical upper section works in conjunction with Patented Bounding Ray™ Optical Principle design (U.S. Patent No. 5,800,050) to provide lamp before lamp image and smooth transition from top of reflector to bottom. Minimum flange matches reflector finish.
- Hinged lampdoor seals upper trim for optimal fixture efficiency and the reduction of stray light in the plenum.

MECHANICAL SYSTEM

- 16-gauge galvanized steel mounting/plaster frame. Maximum 1-1/4" ceiling thickness.
- 16-gauge galvanized steel mounting bars with continuous 4" vertical adjustment are shipped pre-installed. Post-installation adjustment possible without the use of tools from above or below the ceiling.
- Galvanized steel junction box with hinged access covers and spring latch. Two combination 1/2"-3/4" and three 1/2" knockouts for straight-through conduit runs. Capacity: 8 (4 in, 4 out) No. 12 AWG conductors, rated for 90°C.
- Low-profile design allows for 4-3/8" fixture depth above ceiling.

ELECTRICAL SYSTEM

- Horizontally mounted, positive-latch, thermoplastic socket.
- Class P, thermally protected, high-power-factor electronic ballast mounted to the junction box.

LISTING

- Fixtures are UL Listed for thru-branch wiring, non-IC recessed mounting and damp locations. Listed and labeled to comply with Canadian standards.

WARRANTY

- 1-year limited warranty. Complete warranty terms located at www.acuitybrands.com/CustomerResources/Terms_and_conditions.aspx

ORDERING INFORMATION

EXAMPLE: AFLP 1/26TRT 8AR MVOLT

Series	Wattage/Lamp	Aperture/Trim color	Finish	Voltage	Ballast ³
AFLP	1/18DTT	8AR Clear	(blank) Semi-specular	MVOLT ²	(blank) Electronic ballast
	1/26DTT		LD Matte-diffuse	120	ECOS ^{2,5} EcoSystem® electronic dimming ballast. Minimum dimming level 5%
	2/18DTT	8WTR Wheat		277	ADEZ ⁴ Advance Mark 10® electronic dimming ballast. Minimum dimming level 5%
	2/26DTT	8WR ¹ White painted		347	ADZT ⁴ Advance Mark 7® electronic dimming ballast. Minimum dimming level 5%
	1/18TRT				
	1/26TRT				
	1/32TRT				
	1/42TRT				
	2/18TRT				
	2/26TRT				
	2/32TRT				
	2/42TRT				

Options

ELR ⁶	Emergency battery pack, remote test switch	NPP16D EFP	nLight network power/relay pack with 0-10V dimming.
ELRHL ⁶	High lumen output emergency battery pack, remote test switch provided	NPP16D ER EFP	nLight network power/relay pack with 0-10V dimming. ER controls fixtures on emergency circuit.
GMF ⁴	Single, slow-blow fuse	WRL ⁸	Wattage restriction label
GLR ⁴	Single, fast-blow fuse		
TRW	White painted flange		
TRBL	Black painted flange		
DS	Dual switching		
CP ⁷	Chicago plenum		
WLP	With 3500 K lamp (shipped separately)		

8" AFLP

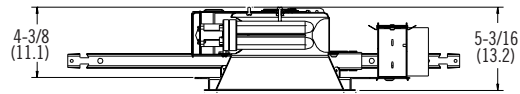
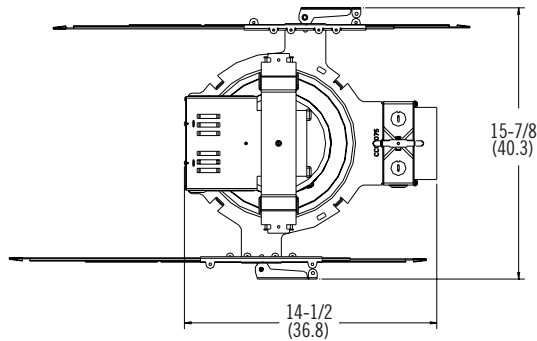
Low Profile

Horizontal DTT or TRT lamp



DIMENSIONAL DATA

All dimensions are inches (centimeters) unless otherwise noted.



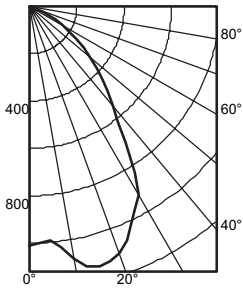
Aperture: 7-7/8 (20.1)
Ceiling Opening: 8-7/8 (22.5)
Overlap Trim: 9-1/4 (23.5)

ORDERING NOTES

1. Not available with finishes.
2. Multi-volt electronic ballast capable of operating on any voltage from 120V through 277V, 50 or 60 Hz.
3. For additional ballast types, refer to [TECH-250](#).
4. Available in 120V or 277V only.
5. 2/242TRT Option only available with DS (Dual Switching) option.
6. For dimensional changes, refer to [TECH-140](#).
7. Not available with emergency options.
8. Must specify wattage. Ex.: WRL32

Distribution Curve Distribution Data Output Data Coefficient of Utilization Illuminance: Single Luminaire 30" Above Floor

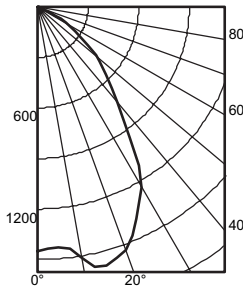
AFLP 2/26TRT 8AR (2) CF26TRT, 1800 LUMENS PER LAMP, 1.3 S/MH, TEST NO. LTL18913



Ave	Lumens	Zone	Lumens	% Lamp	pf	80%			70%			50%		
						50%	30%	10%	50%	30%	10%	50%	30%	10%
0	1008	0° - 30°	884.0	24.6	0	65	65	65	64	64	64	61	61	61
5	994	0° - 40°	1330.9	37.0	1	60	58	56	58	57	56	56	55	54
15	1139	0° - 60°	1884.3	52.3	2	54	51	49	53	50	48	51	49	47
25	1016	0° - 90°	1980.5	55.0	3	49	45	43	48	45	42	46	44	41
35	704	90° - 180°	0.0	0.0	4	44	40	37	44	40	37	42	39	37
45	433	0° - 180°	1980.5	*55.0	5	40	36	33	40	36	33	39	35	33
55	242	*Efficiency			6	37	33	30	37	33	30	36	32	30
65	91				7	34	30	27	34	30	27	33	29	27
75	2				8	31	27	25	31	27	24	30	27	24
85	1				9	29	25	22	29	25	22	28	25	22
90	1				10	27	23	21	27	23	21	26	23	20

Mounting Height	Initial Center Beam	50% beam - 64.7°		10% beam - 98.0°	
		Diameter	FC	Diameter	FC
8.0	33.3	7.0	16.7	12.7	3.3
10.0	17.9	9.5	9.0	17.3	1.8
12.0	11.2	12.0	5.6	21.9	1.1
14.0	7.6	14.6	3.8	26.5	0.8
16.0	5.5	17.1	2.8	31.1	0.6

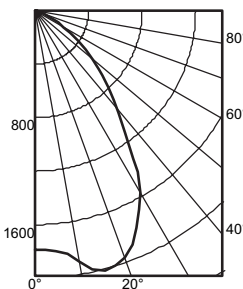
AFLP 2/32TRT 8AR (2) CF32TRT, 2400 LUMENS PER LAMP, 1.2 S/MH, TEST NO. LTL18912



Ave	Lumens	Zone	Lumens	% Lamp	pf	80%			70%			50%		
						50%	30%	10%	50%	30%	10%	50%	30%	10%
0	1447	0° - 30°	1221.2	25.4	0	66	66	66	65	65	65	62	62	62
5	1432	0° - 40°	1825.2	38.0	1	61	59	57	59	58	56	57	56	55
15	1591	0° - 60°	2558.3	53.3	2	55	52	50	54	51	49	52	50	48
25	1388	0° - 90°	2681.1	55.9	3	50	46	43	49	46	43	47	45	42
35	955	90° - 180°	0.0	0.0	4	45	41	38	45	41	38	43	40	38
45	581	0° - 180°	2681.1	*55.9	5	41	37	34	41	37	34	40	36	34
55	314	*Efficiency			6	38	34	31	37	33	31	36	33	30
65	119				7	35	31	28	34	30	28	34	30	27
75	1				8	32	28	25	32	28	25	31	28	25
85	1				9	30	26	23	29	26	23	29	25	23
90	0				10	28	24	21	27	24	21	27	23	21

Mounting Height	Initial Center Beam	50% beam - 62.9°		10% beam - 96.7°	
		Diameter	FC	Diameter	FC
8.0	47.8	6.7	23.9	12.4	4.8
10.0	25.7	9.2	12.9	16.9	2.6
12.0	16.0	11.6	8.0	21.4	1.6
14.0	10.9	14.1	5.5	25.8	1.1
16.0	7.9	16.5	4.0	30.3	0.8

AFLP 2/42TRT 8AR (2) CF42TRT, 3200 LUMENS PER LAMP, 1.2 S/MH, TEST NO. LTL18911



Ave	Lumens	Zone	Lumens	% Lamp	pf	80%			70%			50%		
						50%	30%	10%	50%	30%	10%	50%	30%	10%
0	1787	0° - 30°	1556.7	24.3	0	63	63	63	62	62	62	59	59	59
5	1804	0° - 40°	2329.5	36.4	1	58	56	55	57	55	54	54	53	52
15	2016	0° - 60°	3251.9	50.8	2	52	50	47	51	49	47	50	47	46
25	1788	0° - 90°	3399.0	53.1	3	47	44	41	47	44	41	45	43	40
35	1225	90° - 180°	0.0	0.0	4	43	39	37	42	39	36	41	38	36
45	736	0° - 180°	3399.0	*53.1	5	39	35	33	39	35	32	38	35	32
55	389	*Efficiency			6	36	32	29	36	32	29	35	31	29
65	144				7	33	29	26	33	29	26	32	29	26
75	1				8	31	27	24	30	27	24	30	26	24
85	0				9	28	25	22	28	24	22	28	24	22
90	0				10	26	23	20	26	23	20	26	22	20

Mounting Height	Initial Center Beam	50% beam - 63.8°		10% beam - 97.0°	
		Diameter	FC	Diameter	FC
8.0	59.1	6.8	29.5	12.4	5.9
10.0	31.8	9.3	15.9	16.9	3.2
12.0	19.8	11.8	9.9	21.5	2.0
14.0	13.5	14.3	6.8	26.0	1.4
16.0	9.8	16.8	4.9	30.5	1.0

PHOTOMETRY NOTES

- Tested to current IES and NEMA standards under stabilized laboratory conditions.
- Actual performance may differ as a result of end-user environment and application.
- Consult factory or IES file for microgroove baffle, black cone or other photometric reports.