

Gotham Architectural Downlighting  
Compact Fluorescent Downlights

**8" AFLP**  
**Low Profile**

Cross Baffle  
Horizontal DTT or TRT lamp



FEATURES

**OPTICAL SYSTEM**

- Anodized aluminum upper reflector coated with fluted lamp chamber provides high efficiency and an evenly illuminated aperture appearance.
- Available with clear glass lens (CGL), tempered prismatic lens (T73), Solite lens (SOL), flat opal lens (FOL), or prismatic polycarbonate lens (PPC).
- Semi-specular regressed door with cross baffle insert.
- Door is retained by self-aligning, torsion support springs, preventing gaps between door and ceiling.

**MECHANICAL SYSTEM**

- 16-gauge galvanized steel mounting/plaster frame. Maximum 1-1/4" ceiling thickness.
- 16-gauge galvanized steel mounting bars with continuous 4" vertical adjustment are shipped pre-installed. Post-installation adjustment possible without the use of tools from above or below ceiling.
- Galvanized steel junction box with hinged access covers and spring latch. Two combination 1/2"-3/4" and three 1/2" knockouts for straight-through conduit runs. Capacity: 8 (4 in, 4 out) No. 12 AWG conductors rated for 90°C.
- Low-profile design allows for 4-3/8" fixture depth above ceiling.

**ELECTRICAL SYSTEM**

- Galvanized steel lampholder housing.
- Horizontally mounted, four-pin, positive-latch, thermoplastic socket(s).
- Class P, thermally protected, high-power-factor electronic ballast(s) mounted to the junction box.

**LISTING**

- Fixtures are UL Listed for thru-branch wiring, non-IC recessed mounting and damp locations. Listed and labeled to comply with Canadian standards.

**WARRANTY**

- 1-year limited warranty. Complete warranty terms located at [www.acuitybrands.com/CustomerResources/Terms\\_and\\_conditions.aspx](http://www.acuitybrands.com/CustomerResources/Terms_and_conditions.aspx)

ORDERING INFORMATION

**EXAMPLE: AFLP 1/26TRT 8CB SOL MVOLT**

Series	Wattage/Lamp	Aperture/Trim color	Lens type	Voltage	Ballast <sup>2</sup>
<b>AFLP</b>	1/18DTT	<b>8CB</b> Cross baffle	(blank) No lens	<b>MVOLT<sup>1</sup></b>	(blank) Electronic ballast
	1/26DTT		<b>CGC</b> Clear glass lens	<b>120</b>	<b>ECOS<sup>1,4</sup></b> EcoSystem® electronic dimming ballast. Minimum dimming level 5%
	2/18DTT		<b>T73</b> Tempered prismatic lens	<b>277</b>	<b>ADEZ<sup>3</sup></b> Advance Mark 10® electronic dimming ballast. Minimum dimming level 5%
	2/26DTT		<b>SOL</b> Solite lens	<b>347</b>	<b>ADZT<sup>3</sup></b> Advance Mark 7® electronic dimming ballast. Minimum dimming level 5%
	1/18TRT		<b>FOL</b> Flat opal lens		
	1/26TRT		<b>PPC</b> Prismatic polycarbonate lens		
	1/32TRT				
	1/42TRT				
	2/18TRT				
	2/26TRT				
	2/32TRT				
	2/42TRT				

Options

<b>ELR<sup>5</sup></b>	Emergency battery pack, remote test switch	<b>WL</b>	Wet location
<b>ELRHL<sup>5</sup></b>	High lumen output emergency battery pack, remote test switch provided	<b>NPP16D EFP</b>	nLight network power/relay pack with 0-10V dimming.
<b>GMF<sup>3</sup></b>	Single, slow-blow fuse	<b>NPP16D ER EFP</b>	nLight network power/relay pack with 0-10V dimming. ER controls fixtures on emergency circuit.
<b>GLR<sup>3</sup></b>	Single, fast-blow fuse	<b>WRL<sup>7</sup></b>	Wattage restriction label
<b>TRW</b>	White painted flange		
<b>TRBL</b>	Black painted flange		
<b>DS</b>	Dual switching		
<b>CP<sup>6</sup></b>	Chicago plenum		
<b>WLP</b>	With 3500 K lamp (shipped separately)		

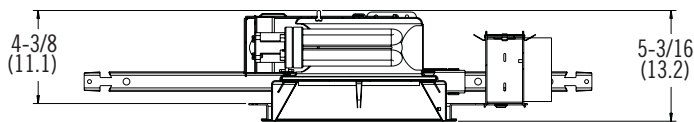
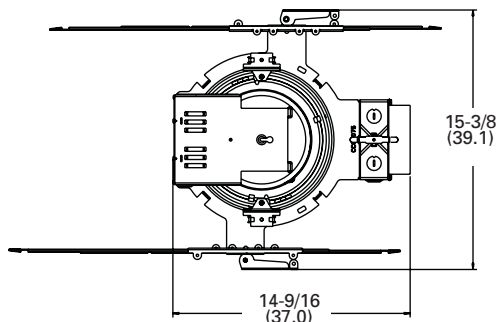
**8" AFLP**  
**Low Profile**

Cross Baffle, Horizontal DTT or TRT lamp



DIMENSIONAL DATA

All dimensions are inches (centimeters) unless otherwise noted.



Aperture: 7-7/8 (20.1)  
Ceiling Opening: 8-7/8 (22.5)  
Overlap Trim: 9-1/4 (23.5)

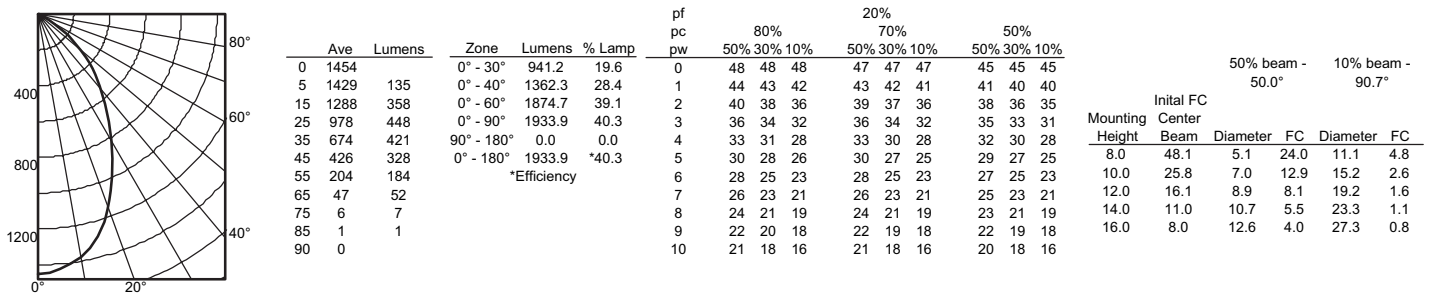
NOTES

**ORDERING NOTES**

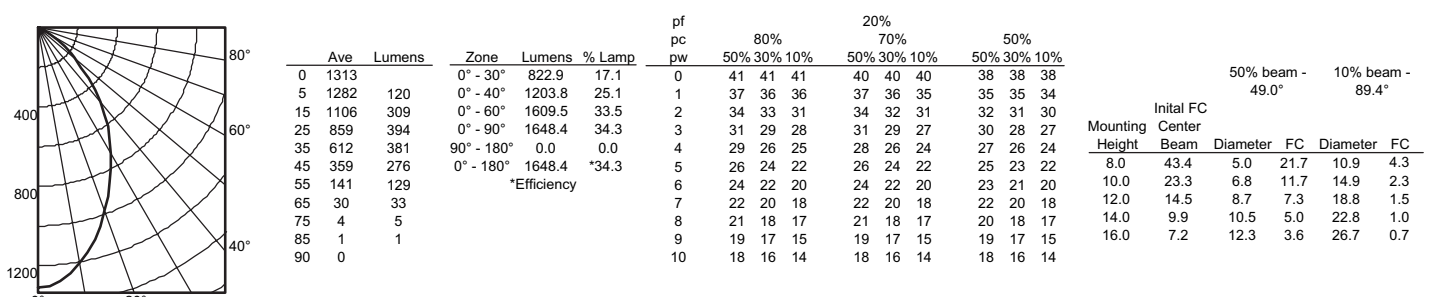
1. Multi-volt electronic ballast capable of operating on any voltage from 120V through 277V, 50 or 60 Hz.
2. For additional ballast types, refer to [TECH-250](#).
3. Available in 120V or 277V only.
4. 2/242TRT Option only available with DS (Dual Switching) option.
5. For dimensional changes, refer to [TECH-140](#).
6. Not available with emergency options.
7. Must specify wattage. Ex.: WRL32

Distribution Curve    Distribution Data    Output Data    Coefficient of Utilization    Illuminance: Single Luminaire 30" Above Floor

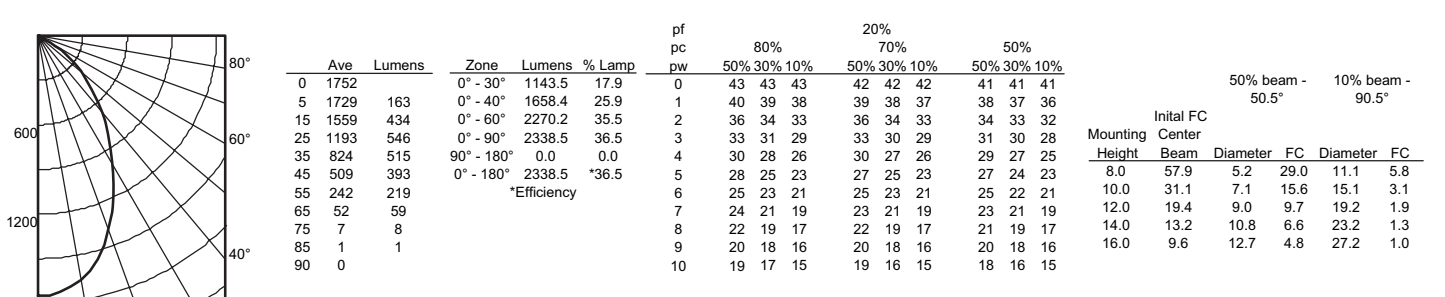
**AFLP 2/32TRT 8CB**    (2) CF32TRT, 2400 LUMENS PER LAMP, 0.9 S/MH, TEST NO. LTL19227



**AFLP 2/32TRT 8CB SOL**    (2) CF32TRT, 2400 LUMENS PER LAMP, 0.9 S/MH, TEST NO. LTL19195



**AFLP 2/42TRT 8CB**    (2) CF42TRT, 3200 LUMENS PER LAMP, 0.9 S/MH, TEST NO. LTL19228



**PHOTOMETRY NOTES**

- Tested to current IES and NEMA standards under stabilized laboratory conditions.
- Actual performance may differ as a result of end-user environment and application.
- Consult factory or IES file for microgroove baffle, black cone or other photometric reports.