



Gotham Architectural Downlighting
Compact Fluorescent Downlights

6" LGFLP
Lensed Low Profile

Wet Location
Horizontal DTT or TRT Lamp



FEATURES

OPTICAL SYSTEM

- Aluminum upper reflector coated with highly reflective white paint provides high efficiency and an evenly illuminated aperture appearance.
- Available with clear glass lens (CGL), tempered prismatic lens (T73), Solite lens (SOL), flat opal lens (FOL), or prismatic polycarbonate lens (PPC).
- Regressed white door (RW), stepped black baffle (SB) or regressed anodized door (RA) with white painted flange.
- Door is retained by self-aligning, torsion support springs, preventing gaps between door and ceiling.

MECHANICAL SYSTEM

- 16-gauge galvanized steel mounting/plaster frame. Maximum 1-1/4" ceiling thickness.
- 16-gauge galvanized steel mounting bars with continuous 4" vertical adjustment are shipped pre-installed. Post-installation adjustment possible without the use of tools from above or below ceiling.
- Galvanized steel junction box with hinged access covers and spring latch. Two combination 1/2"-3/4" and three 1/2" knockouts for straight-through conduit runs. Capacity: 8 (4 in, 4 out) No. 12 AWG conductors rated for 90°C.
- Low-profile design allows for 4-3/8" fixture depth above ceiling.

ELECTRICAL SYSTEM

- Galvanized steel lampholder housing.
- Horizontally mounted, four-pin, positive-latch, thermoplastic socket(s).
- Class P, thermally protected, high-power-factor electronic ballast(s) mounted to the junction box.

LISTING

- Fixtures are UL Listed for thru-branch wiring, non-IC recessed mounting and wet locations. Listed and labeled to comply with Canadian standards.

WARRANTY

- 1-year limited warranty. Complete warranty terms located at: www.acuitybrands.com/CustomerResources/Terms_and_conditions.aspx

ORDERING INFORMATION

EXAMPLE: LGFLP 1/26TRT 6RW T73 MVOLT

Series	Wattage/Lamp	Door frame	Lens type	Voltage	Ballast ²
LGFLP	1/130TT	6RW Regressed white door	CGL Clear glass lens	MVOLT¹	(blank) Electronic ballast
	1/180TT	6SB Stepped black baffle	SOL Solite lens	120	ECOS^{1,3} EcoSystem® electronic dimming ballast. Minimum dimming level 5%
	1/260TT	6RA Regressed anodized door	FOL Flat opal lens	277	ADEZ^{3,4} Advance Mark 10® electronic dimming ballast. Minimum dimming level 5%
	1/13TRT		PPC Prismatic polycarbonate lens	347	ADZT^{3,4} Advance Mark 7® electronic dimming ballast. Minimum dimming level 5%
	1/18TRT				
	1/26TRT				
	1/32TRT				
	1/42TRT				

Options

ELR⁵	Emergency battery pack, remote test switch
ELRH⁵	High lumen output emergency battery pack, remote test switch provided
GMF⁴	Single, slow-blow fuse
GLR⁴	Single, fast-blow fuse
TRBL	Black painted flange
TRDA	Tamper-resistant door assembly
CP⁶	Chicago plenum
WLP	With 3500 K lamp (shipped separately)
NPP16D EFP	nLight network power/relay pack with 0-10V dimming.
NPP16D ER EFP	nLight network power/relay pack with 0-10V dimming. ER controls fixtures on emergency circuit.
WRL⁷	Wattage restriction label

6" LGFLP

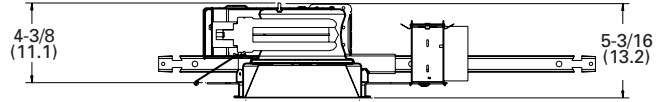
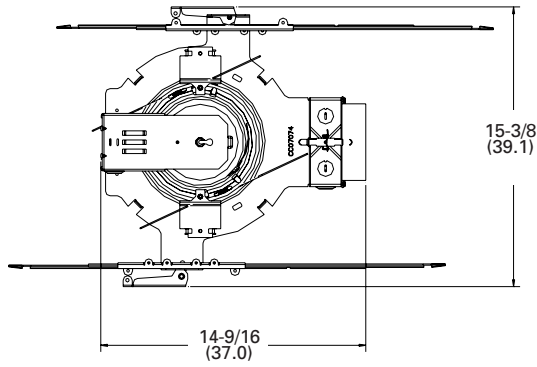
Lensed Low Profile

Wet Location, Horizontal DTT or TRT Lamp



DIMENSIONAL DATA

All dimensions are inches (centimeters) unless otherwise noted.



- Aperture: 6-1/4 (15.9)
- Ceiling Opening: 7-1/8 (18.1)
- Overlap Trim: 7-1/2 (19.1)

NOTES

ORDERING NOTES

1. Multi-volt electronic ballast capable of operating on any voltage from 120V through 277V, 50 or 60 Hz.
2. For additional ballast types, refer to [TECH-250](#).
3. Not available with 13W.
4. Available in 120V or 277V only.
5. For dimensional changes, refer to [TECH-140](#).
6. Not available with emergency options.
7. Must specify wattage. Ex.: WRL32



Distribution Curve Distribution Data Output Data Coefficient of Utilization Illuminance: Single Luminaire 30" Above Floor

LGFLP 1/32TRT 6RW SOL

(1) CF32TRT, 2400 LUMENS PER LAMP, 1.2 S/MH, TEST NO. LTL19133

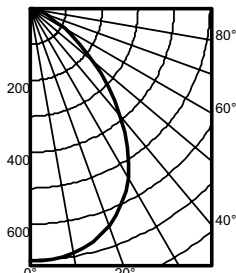


Table with columns: Ave Lumens, Zone Lumens % Lamp, pf pc pw, 80% 50% 30% 10%, 20% 70% 50% 30% 10%, 50% 30% 10%, 50% beam - 60.2°, 10% beam - 97.5%, Initial FC, Mounting Height, Beam, Diameter, FC, Diameter, FC.

LGFLP 1/32TRT 6RW T73

(1) CF32TRT, 2400 LUMENS PER LAMP, 1.2 S/MH, TEST NO. LTL19132

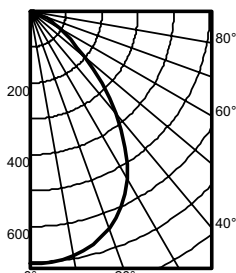


Table with columns: Ave Lumens, Zone Lumens % Lamp, pf pc pw, 80% 50% 30% 10%, 20% 70% 50% 30% 10%, 50% 30% 10%, 50% beam - 59.9°, 10% beam - 95.7%, Initial FC, Mounting Height, Beam, Diameter, FC, Diameter, FC.

LGFLP 1/32TRT 6SB SOL

(2) CF42TRT, 3200 LUMENS PER LAMP, 1.2 S/MH, TEST NO. LTL19130

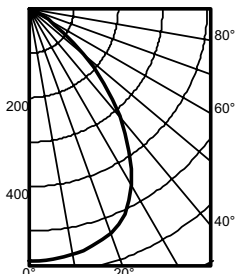


Table with columns: Ave Lumens, Zone Lumens % Lamp, pf pc pw, 80% 50% 30% 10%, 20% 70% 50% 30% 10%, 50% 30% 10%, 50% beam - 61.7°, 10% beam - 95.9%, Initial FC, Mounting Height, Beam, Diameter, FC, Diameter, FC.

LGFLP 1/32TRT 6RA SOL

(2) CF42TRT, 3200 LUMENS PER LAMP, 1.1 S/MH, TEST NO. LTL19136

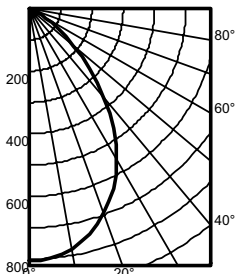


Table with columns: Ave Lumens, Zone Lumens % Lamp, pf pc pw, 80% 50% 30% 10%, 20% 70% 50% 30% 10%, 50% 30% 10%, 50% beam - 56.3°, 10% beam - 93.0%, Initial FC, Mounting Height, Beam, Diameter, FC, Diameter, FC.

PHOTOMETRY NOTES

- Tested to current IES and NEMA standards under stabilized laboratory conditions.
Actual performance may differ as a result of end-user environment and application.
Consult factory or IES file for microgroove baffle, black cone or other photometric reports.