



Gotham Architectural Downlighting  
Compact Fluorescent Downlights

**6" AFWLP**  
Low Profile Wallwash

Horizontal DTT or TRT lamp

FEATURES

**OPTICAL SYSTEM**

- Self-flanged semi-specular or matte-diffuse reflector. Patented Bounding Ray™ Optical Principle design (U.S. Patent No. 5,800,050). Minimum flange matches reflector finish.
- Highly reflective outer kicker reflector provides smooth, uniform illumination ceiling to floor. Inner cone is contoured to eliminate room-side flash. For optimal uniformity, the recommended luminaire spacing is 3' from the wall and 3' centers.
- Hinged lampdoor seals upper trim for optimal fixture efficiency and the reduction of stray light in the plenum.

**MECHANICAL SYSTEM**

- 16-gauge galvanized steel construction; maximum 1-1/4" ceiling thickness.
- Telescopic mounting bars maximum of 32" and minimum of 15", preinstalled, 4" vertical adjustment.
- Toolless post-installation adjustments.
- Junction box capacity: 8 (4 in, 4 out) 12AWG rated for 90°C.

**ELECTRICAL SYSTEM**

- Horizontally mounted, positive-latch, thermoplastic socket.
- Class P, thermally protected, high-power-factor electronic ballast mounted to the junction box.
- SIMPLY5™ technology available.

**LISTING**

- Fixtures are UL Listed for thru-branch wiring, non-IC recessed mounting and damp locations. Listed and labeled to comply with Canadian standards.

**WARRANTY**

- 1-year limited warranty. Complete warranty terms located at [www.acuitybrands.com/CustomerResources/Terms\\_and\\_conditions.aspx](http://www.acuitybrands.com/CustomerResources/Terms_and_conditions.aspx)

ORDERING INFORMATION

**EXAMPLE: AFWLP 1/26TRT 6AR MVOLT**

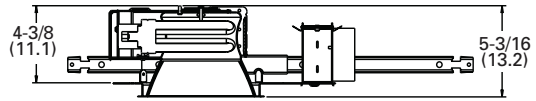
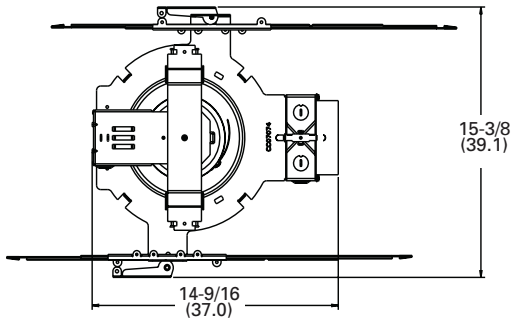
Series	Wattage/Lamp	Aperture/Trim color	Finish	Voltage	Ballast <sup>3</sup>	
AFWLP	1/13DTT	6AR Clear	(blank) Semi-specular	MVOLT <sup>2</sup>	(blank) Electronic ballast	
	1/18DTT		LD Matte-diffuse	120	ECOS <sup>2,4</sup> Lutron® EcoSystem® electronic dimming ballast. Minimum dimming level 5%	
	1/26DTT	6WTR Wheat		277	ADEZ <sup>4,5</sup> Advance Mark 10® electronic dimming ballast. Minimum dimming level 5%	
	1/13TRT	6WR <sup>1</sup> White painted		347	ADZT <sup>2</sup> Advance Mark 7® electronic dimming ballast. Minimum dimming level 5%	
	1/18TRT				S5 <sup>6</sup> SIMPLY5™ system ballast. Minimum dimming level 3%	
	1/26TRT					
	1/32TRT					
	1/42TRT					

Options

- ELR<sup>5,7</sup> Emergency battery pack with remote test switch
- ELRHL<sup>5,7</sup> High-lumen-output emergency battery pack with remote test switch
- GMF<sup>5</sup> Single, slow-blow fuse
- GLR<sup>5</sup> Single, fast-blow fuse
- TRW White painted flange
- TRBL Black painted flange
- CP<sup>8</sup> Chicago plenum
- WLP With 3500 K lamp (shipped separately)
- HW Hardwire for S5 system; replaces RELOC®
- NEPP Interface with Sensor Switch® nLight® network with integral power supply. Refer to TN-623-01.
- WRL<sup>9</sup> Wattage restriction label

DIMENSIONAL DATA

All dimensions are inches (centimeters) unless otherwise noted.



Aperture: 6-1/4 (15.9)  
 Ceiling Opening: 7-1/8 (18.1)  
 Overlap Trim: 7-1/2 (19.1)

NOTES

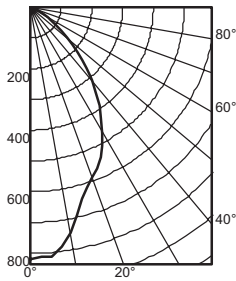
**ORDERING NOTES**

- |   |   |
|---|---|
| 1. Not available with finishes.   | 7. For dimensional changes, refer to <a href="#">TECH-140</a> . |
| 2. Multi-volt electronic ballast capable of operating on any voltage from 120V through 277V, 50 or 60 Hz.   | 8. Not available with emergency options.                        |
| 3. For additional ballast types, refer to <a href="#">TECH-250</a> .  | 9. Must specify wattage. Ex.: WRL32                             |
| 4. Not available with 13W.  |   |
| 5. Available in 120V or 277V only.  |   |
| 6. SIMPLY5 includes 9' S5 MLC RELOC wiring system (shipped separately). Available in 120V or 277V only. Not available in 13W or 18W. See <a href="http://simply5.net">simply5.net</a> for more information. |   |

Distribution Curve    Distribution Data    Output Data    Coefficient of Utilization    Illuminance: Single Luminaire 30" Above Floor

**AFWLP 1/26TRT 6AR**

(1) CF26TRT, 1800 LUMENS PER LAMP, 0.9 S/MH, TEST NO. LTL19053

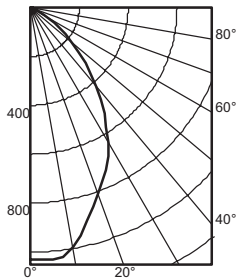


Ave Lumens	Zone	Lumens	% Lamp	pf pc pw	80%			20% 70%			50%		
					50%	30%	10%	50%	30%	10%	50%	30%	10%
0	0° - 30°	504.4	28.0	0	71	71	71	69	69	69	66	66	66
5	0° - 40°	747.7	41.5	1	65	63	61	63	62	60	61	59	58
15	0° - 60°	1024.5	56.9	2	59	56	53	58	55	53	56	53	51
25	0° - 90°	1069.6	59.4	3	53	50	47	52	49	46	51	48	46
35	90° - 180°	0.0	0.0	4	49	45	41	48	44	41	47	43	41
45	0° - 180°	1069.6	*59.4	5	45	40	37	44	40	37	43	39	37
55			*Efficiency	6	41	37	34	40	36	33	40	36	33
65				7	38	34	30	37	33	30	37	33	30
75				8	35	31	28	35	31	28	34	30	28
85				9	33	28	26	32	28	26	32	28	25
90				10	30	26	24	30	26	24	30	26	24

Mounting Height	Initial Center	50% beam - 49.0°		10% beam - 90.1°	
		Diameter	FC	Diameter	FC
8.0	27.1	5.0	13.6	11.0	2.7
10.0	14.6	6.8	7.3	15.0	1.5
12.0	9.1	8.7	4.5	19.0	0.9
14.0	6.2	10.5	3.1	23.0	0.6
16.0	4.5	12.3	2.3	27.0	0.5

**AFWLP 1/32TRT 6AR**

(1) CF32TRT, 2400 LUMENS PER LAMP, 1.0 S/MH, TEST NO. LTL19054

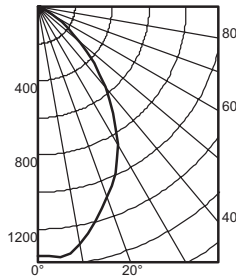


Ave Lumens	Zone	Lumens	% Lamp	pf pc pw	80%			20% 70%			50%		
					50%	30%	10%	50%	30%	10%	50%	30%	10%
0	0° - 30°	684.2	28.5	0	72	72	72	70	70	70	67	67	67
5	0° - 40°	1011.8	42.2	1	66	64	62	64	63	61	62	60	59
15	0° - 60°	1387.0	57.8	2	60	57	54	58	56	53	56	54	52
25	0° - 90°	1448.7	60.4	3	54	50	47	53	50	47	52	49	46
35	90° - 180°	0.0	0.0	4	49	45	42	49	45	42	47	44	41
45	0° - 180°	1448.7	*60.4	5	45	41	38	45	41	38	43	40	37
55			*Efficiency	6	42	37	34	41	37	34	40	36	34
65				7	38	34	31	38	34	31	37	33	31
75				8	36	31	28	35	31	28	34	31	28
85				9	33	29	26	33	29	26	32	28	26
90				10	31	27	24	31	27	24	30	26	24

Mounting Height	Initial Center	50% beam - 52.2°		10% beam - 91.4°	
		Diameter	FC	Diameter	FC
8.0	34.1	5.4	17.1	11.3	3.4
10.0	18.3	7.3	9.2	15.4	1.8
12.0	11.4	9.3	5.7	19.5	1.1
14.0	7.8	11.3	3.9	23.6	0.8
16.0	5.7	13.2	2.8	27.7	0.6

**AFWLP 1/42TRT 6AR**

(1) CF42TRT, 3200 LUMENS PER LAMP, 1.0 S/MH, TEST NO. LTL19055



Ave Lumens	Zone	Lumens	% Lamp	pf pc pw	80%			20% 70%			50%		
					50%	30%	10%	50%	30%	10%	50%	30%	10%
0	0° - 30°	915.6	28.6	0	72	72	72	71	71	71	67	67	67
5	0° - 40°	1355.4	42.4	1	66	64	62	65	63	61	62	61	60
15	0° - 60°	1861.0	58.2	2	60	57	54	59	56	54	57	54	52
25	0° - 90°	1942.6	60.7	3	54	51	48	54	50	47	52	49	46
35	90° - 180°	0.0	0.0	4	50	45	42	49	45	42	48	44	42
45	0° - 180°	1942.6	*60.7	5	45	41	38	45	41	38	44	40	37
55			*Efficiency	6	42	37	34	41	37	34	40	37	34
65				7	39	34	31	38	34	31	37	33	31
75				8	36	31	28	35	31	28	35	31	28
85				9	33	29	26	33	29	26	32	29	26
90				10	31	27	24	31	27	24	30	26	24

Mounting Height	Initial Center	50% beam - 53.6°		10% beam - 92.0°	
		Diameter	FC	Diameter	FC
8.0	44.5	5.6	22.2	11.4	4.4
10.0	23.9	7.6	12.0	15.5	2.4
12.0	14.9	9.6	7.5	19.7	1.5
14.0	10.2	11.6	5.1	23.8	1.0
16.0	7.4	13.6	3.7	27.9	0.7

PHOTOMETRY NOTES

- Tested to current IES and NEMA standards under stabilized laboratory condition.
- Actual performance may differ as a result of end-user environment and application.
- Consult factory or IES file for microgroove baffle, black cone or other photometric reports.