



Gotham Architectural Downlighting
Compact Fluorescent Downlights

8" AFWLP
Low Profile Wallwash

Horizontal DTT or TRT lamp

FEATURES

OPTICAL SYSTEM

- Self-flanged semi-specular or matte-diffuse reflector. Patented Bounding Ray™ Optical Principle design (U.S. Patent No. 5,800,050). Minimum flange matches reflector finish.
- Highly reflective outer kicker reflector provides smooth, uniform illumination floor to ceiling, edge to edge. Inner cone is contoured to eliminate room-side flash. For optimal uniformity, the recommended luminaire spacing is 3' from the wall and 3' centers.
- Hinged lampdoor seals upper trim for optimal fixture efficiency and the reduction of stray light in the plenum.

MECHANICAL SYSTEM

- 16-gauge galvanized steel construction; maximum 1-1/4" ceiling thickness.
- Telescopic mounting bars maximum of 32" and minimum of 15", preinstalled, 4" vertical adjustment.
- Toolless post-installation adjustments.
- Junction box capacity: 8 (4 in, 4 out) 12AWG rated for 90°C.

ELECTRICAL SYSTEM

- Horizontally mounted, positive-latch, thermoplastic socket.
- Class P, thermally protected, high-power-factor electronic ballast mounted to the junction box.
- SIMPLY5™ technology available.

LISTING

- Fixtures are UL Listed for thru-branch wiring, non-IC recessed mounting and damp locations. Listed and labeled to comply with Canadian standards.

WARRANTY

- 1-year limited warranty. Complete warranty terms located at www.acuitybrands.com/CustomerResources/Terms_and_conditions.aspx

ORDERING INFORMATION

EXAMPLE: AFWLP 1/26TRT 8AR MVOLT

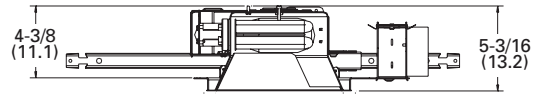
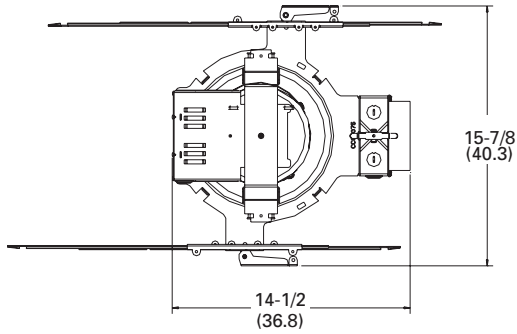
Series	Wattage/Lamp	Aperture/Trim color	Finish	Voltage	Ballast ³
AFWLP	1/18DTT	8AR Clear	(blank) Semi-specular	MVOLT ²	(blank) Electronic ballast
	1/26DTT		LD Matte-diffuse	120	ECOS ^{2,4} Lutron® EcoSystem® electronic dimming ballast. Minimum dimming level 5%
	2/18DTT	8WTR Wheat		277	ADEZ ⁴ Advance Mark 10® electronic dimming ballast. Minimum dimming level 5%
	2/26DTT	8WR ¹ White painted		347	ADZT ² Advance Mark 7® electronic dimming ballast. Minimum dimming level 5%
	1/18TRT				S5 ⁵ SIMPLY5™ system ballast. Minimum dimming level 15%
	1/26TRT				
	1/32TRT				
	1/42TRT				
	2/18TRT				
	2/26TRT				
	2/32TRT				
	2/42TRT				

Options

ELR ^{4,6}	Emergency battery pack with remote test switch	HW	Hardwire for S5 system; replaces RELOC®
ELRHL ^{4,6}	High-lumen-output emergency battery pack with remote test switch	NEPP	Interface for Sensor Switch® nLight® network with integral power supply. Refer to TN-632-01.
GMF ⁴	Single, slow-blow fuse	WRL ⁸	Wattage restriction label
GLR ⁴	Single, fast-blow fuse		
TRW	White painted flange		
TRBL	Black painted flange		
DS	Dual switching		
CP ⁷	Chicago plenum		
WLP	With 3500 K lamp (shipped separately)		

DIMENSIONAL DATA

All dimensions are inches (centimeters) unless otherwise noted.



Aperture: 7-7/8 (20.1)
 Ceiling Opening: 8-7/8 (22.5)
 Overlap Trim: 9-1/4 (23.5)

NOTES

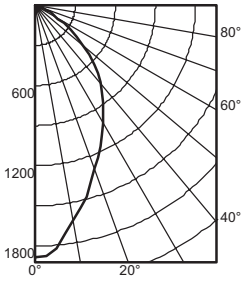
ORDERING NOTES

- | | |
|---|---|
| <ol style="list-style-type: none"> 1. Not available with finishes. 2. Multi-volt electronic ballast capable of operating on any voltage from 120V through 277V, 50 or 60 Hz. 3. For additional ballast types, refer to TECH-250. 4. Available in 120V or 277V only. 5. SIMPLY5 includes 9' S5 MLC RELOC® wiring system (shipped separately). Available in 120V or 277V only. Not available in 18W. See simply5.net for more information. | <ol style="list-style-type: none"> 6. For dimensional changes, refer to TECH-140. 7. Not available with emergency options. 8. Must specify wattage. Ex.: WRL32 |
|---|---|

Distribution Curve Distribution Data Output Data Coefficient of Utilization Illuminance: Single Luminaire 30" Above Floor

AFWLP 1/42TRT 8AR

(1) CF42TRT, 3200 LUMENS PER LAMP, 0.9 S/MH, TEST NO. LTL19292

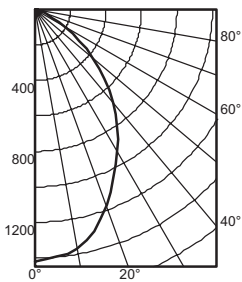


Ave	Lumens	Zone	Lumens	% Lamp	pf	80%			20%			50%		
						pc	pw	50%	30%	10%	50%	30%	10%	50%
0	1888	0° - 30°	1112.6	34.8	0	96	96	96	94	94	94	90	90	90
5	1822	0° - 40°	1665.2	52.0	1	87	85	82	85	83	81	82	80	79
15	1478	0° - 60°	2426.8	75.8	2	79	74	71	77	73	70	75	71	69
25	1161	0° - 90°	2582.7	80.7	3	71	66	62	70	65	61	68	64	60
35	884	90° - 180°	0.0	0.0	4	65	59	54	64	58	54	62	57	53
45	620	0° - 180°	2582.7	*80.7	5	59	53	48	58	52	48	56	51	48
55	317			*Efficiency	6	54	48	43	53	47	43	52	47	43
65	122				7	50	44	39	49	43	39	48	43	39
75	22				8	46	40	36	45	40	36	44	39	35
85	5				9	43	37	33	42	37	33	41	36	33
90	0				10	40	34	30	39	34	30	39	33	30

Initial FC		50% beam - 46.3"		10% beam - 92.8"	
Mounting Height	Center	Beam Diameter	FC	Diameter	FC
8.0	62.4	4.7	31.2	11.6	6.2
10.0	33.6	6.4	16.8	15.8	3.4
12.0	20.9	8.1	10.5	20.0	2.1
14.0	14.3	9.8	7.1	24.2	1.4
16.0	10.4	11.5	5.2	28.4	1.0

AFWLP 2/26TRT 8AR

(2) CF26TRT, 1800 LUMENS PER LAMP, 1.0 S/MH, TEST NO. LTL19293

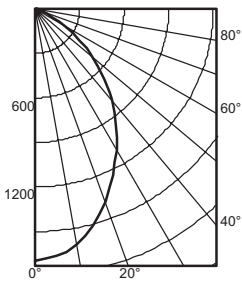


Ave	Lumens	Zone	Lumens	% Lamp	pf	80%			20%			50%		
						pc	pw	50%	30%	10%	50%	30%	10%	50%
0	1424	0° - 30°	976.2	27.1	0	77	77	77	75	75	75	72	72	72
5	1401	0° - 40°	1478.6	41.1	1	70	68	66	68	66	65	66	64	63
15	1292	0° - 60°	2181.3	60.6	2	63	59	57	62	59	56	60	57	55
25	1050	0° - 90°	2325.8	64.6	3	57	52	49	56	52	49	54	51	48
35	804	90° - 180°	0.0	0.0	4	51	47	43	51	46	43	49	45	42
45	555	0° - 180°	2325.8	*64.6	5	47	42	38	46	42	38	45	41	38
55	306			*Efficiency	6	43	38	34	42	38	34	41	37	34
65	114				7	39	34	31	39	34	31	38	34	31
75	19				8	36	31	28	36	31	28	35	31	28
85	4				9	34	29	26	33	29	26	33	28	25
90	0				10	31	27	24	31	26	24	30	26	23

Initial FC		50% beam - 53.8"		10% beam - 96.2"	
Mounting Height	Center	Beam Diameter	FC	Diameter	FC
8.0	47.1	5.6	23.5	12.3	4.7
10.0	25.3	7.6	12.7	16.7	2.5
12.0	15.8	9.6	7.9	21.2	1.6
14.0	10.8	11.7	5.4	25.6	1.1
16.0	7.8	13.7	3.9	30.1	0.8

AFWLP 2/32TRT 8AR

(2) CF32TRT, 2400 LUMENS PER LAMP, 1.0 S/MH, TEST NO. LTL19294



Ave	Lumens	Zone	Lumens	% Lamp	pf	80%			20%			50%		
						pc	pw	50%	30%	10%	50%	30%	10%	50%
0	1700	0° - 30°	1148.8	23.9	0	68	68	68	66	66	66	63	63	63
5	1668	0° - 40°	1740.4	36.3	1	62	60	58	60	59	57	58	57	55
15	1512	0° - 60°	2572.0	53.6	2	56	53	50	55	52	49	53	50	48
25	1237	0° - 90°	2741.1	57.1	3	50	46	43	49	46	43	48	45	42
35	947	90° - 180°	0.0	0.0	4	45	41	38	45	41	38	43	40	37
45	653	0° - 180°	2741.1	*57.1	5	41	37	34	41	37	34	40	36	33
55	366			*Efficiency	6	38	33	30	37	33	30	36	33	30
65	132				7	35	30	27	34	30	27	33	30	27
75	23				8	32	28	25	32	28	25	31	27	25
85	5				9	30	25	23	29	25	23	29	25	22
90	0				10	28	24	21	27	23	21	27	23	21

Initial FC		50% beam - 53.3"		10% beam - 96.0"	
Mounting Height	Center	Beam Diameter	FC	Diameter	FC
8.0	56.2	5.5	28.1	12.2	5.6
10.0	30.2	7.5	15.1	16.7	3.0
12.0	18.8	9.5	9.4	21.1	1.9
14.0	12.9	11.5	6.4	25.5	1.3
16.0	9.3	13.5	4.7	30.0	0.9

PHOTOMETRY NOTES

- Tested to current IES and NEMA standards under stabilized laboratory condition.
- Actual performance may differ as a result of end-user environment and application.
- Consult factory or IES file for microgroove baffle, black cone or other photometric reports.