

Gotham Architectural Downlighting
Renovation Decorative Compact Fluorescent Downlights

8" PDGFI
Candéo® Open Reflector

Horizontal Triple-Tube Lamp

FEATURES

OPTICAL SYSTEM

- Reflector System - Self-flanged, highly reflective/diffuse white painted cone. Outside of inner reflector is white with semi-specular or matte-diffuse inner surface finish. Patented Bounding Ray™ Optical Principle design (U.S. Patent No. 5,800,050) provides lamp before lamp image and smooth transition from top of the reflector to bottom.
- Inner reflector is field adjustable to three settings that place the reflector flush with the ceiling, 1/2" or 1" below the ceiling.
- Acrylic diffuser retains inner reflector.
- Diffuser provides direct/indirect luminaire performance. Clear (WHT - Snow), blue (BLU - Sky), green (GRN - Sea) or tan (TAN - Sand) or red (RBY - Ruby) diffusers add visual interest.
- Hinged lamp door provided for optimal fixture efficiency and the reduction of stray light in the plenum.

MECHANICAL SYSTEM

- Pre-wired galvanized steel junction box mounted to reflector with removable access cover. No. 12 AWG conductors rated for 90°C.
- Three (3) swinggate brackets allow for installation from below the ceiling. Suitable for ceiling thickness ranging from 5/8" (1.59cm) to 1" (2.54cm).

ELECTRICAL SYSTEM

- Horizontally-mounted, positive-latch, thermoplastic socket(s).
- Thermally-protected, high power factor electronic ballast (50/60Hz), mounted to the junction box.

LISTING

- Fixtures are UL Listed, non-IC recessed mounting and damp locations.

WARRANTY

- 1-year limited warranty. Complete warranty terms located at www.acuitybrands.com/CustomerResources/Terms_and_conditions.aspx

ORDERING INFORMATION

EXAMPLE: PDGFI 1/32TRT 8AR WHT MVOLT

Series	Wattage/ Lamp	Aperture/ Trim color	Finish	Color ¹	Voltage	Ballast	Options
PDGFI	1/18TRT	8AR Clear	(blank) LD	Semi-specular Matte-diffuse	MVOLT ² 120 277	(blank) Electronic ballast ADEZ ³ Advance Mark 10® electronic dimming ballast. Minimum dimming level 5% ECOS Lutron EcoSystem® electronic dimming ballast. Minimum dimming level 5%.	WLP With 3500 K lamp (shipped separately) GMF ³ Single, slow-blow fuse GLR ³ Single, fast-blow fuse GSKT Foam gasketing CAL Clear acrylic lens
	1/26TRT						
	1/32TRT						
	1/42TRT						
	2/18TRT						
	2/26TRT 2/32TRT						

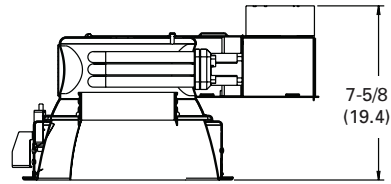
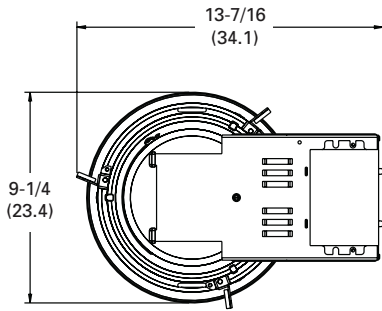
NOTES

ORDERING NOTES

1. Consult factory for additional colors.
2. Multi-volt electronic ballast capable of operating on any line voltage from 120V through 277V, 50 or 60Hz.
3. Available in 120V or 277V only.

DIMENSIONAL DATA

All dimensions are inches (centimeters) unless otherwise noted.

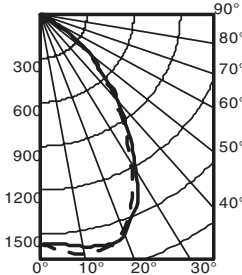


Aperture: 7-7/8 (20)
Ceiling Opening: 8-5/8 (21.9)
Overlap Trim: 9-1/4 (23.5)

Distribution Curve Distribution Data Output Data Coefficient of Utilization Illuminance: Single Luminaire 30" Above Floor

PDGFI 2/42TRT 8AR WHT "CANDÉO" CLEAR LENS

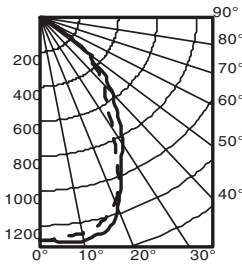
(2) CF42DT/E/IN/835, 3200 lumens per lamp, Pos. #1 (flush), Test No. LTL11452



From 0°	Ave Lumens	Lumens	Zone Lumens % Lamp	pf	20%						50% beam angle		10% beam angle					
					80%		70%		50%		58.5°		93.3°					
					50%	30%	50%	30%	50%	30%	Initial fc	fc at	Beam	Beam				
0	1573		0° - 30° 1239.2 19.4	pc														
5	1609	155	0° - 40° 1817.0 28.4	pw	.42	.41	.42	.41	.40	.39	Mount at beam	Beam	fc at	Beam	fc at			
15	1632	458	0° - 60° 2411.4 37.7		.39	.37	.38	.36	.37	.35	height	center	diameter	beam	edge	diameter	edge	
25	1380	627	0° - 90° 2496.2 39.0		.35	.33	.35	.33	.34	.32	8	52.0	6.2	26.0	11.7	5.2		
35	923	578	90° - 180° 0.0 0.0		.32	.30	.32	.29	.31	.29	10	28.0	8.4	14.0	15.9	2.8		
45	530	419	0° - 180° 2496.2 *39.0		.30	.27	.29	.27	.28	.26	12	17.4	10.6	8.7	20.1	1.7		
55	180	176	*E efficiency		.27	.24	.27	.24	.26	.24	14	11.9	12.9	5.9	24.4	1.2		
65	49	51			.25	.22	.25	.22	.24	.22	16	8.6	15.1	4.3	28.6	0.9		
75	25	26			.23	.21	.23	.21	.23	.20								
85	7	8			.22	.19	.22	.19	.21	.19								
90	0				.20	.18	.20	.18	.20	.17								

PDGFI 1/42TRT 8AR WHT "CANDÉO" CLEAR LENS

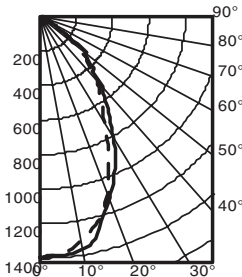
(1) CF42DT/E/IN/835, 3200 lumens per lamp, Pos. #1 (flush), Test No. LTL11461



From 0°	Ave Lumens	Lumens	Zone Lumens % Lamp	pf	20%						50% beam angle		10% beam angle						
					80%		70%		50%		53.1°		92.4°						
					50%	30%	50%	30%	50%	30%	Initial fc	fc at	Beam	Beam					
0	1284		0° - 30° 908.6 28.4	pc															
5	1291	123	0° - 40° 1307.6 40.9	pw	.62	.60	.61	.59	.58	.57	Mount at beam	Beam	fc at <td>Beam</td> <td>fc at</td> <td></td> <td></td> <td></td>	Beam	fc at				
15	1251	348	0° - 60° 1757.3 54.9		.56	.54	.55	.53	.53	.51	height	center	diameter	beam	edge	diameter	edge		
25	956	437	0° - 90° 1818.0 56.8		.51	.48	.51	.47	.49	.46	8	42.4	5.5	21.2	11.5	4.2			
35	629	399	90° - 180° 0.0 0.0		.47	.43	.46	.43	.45	.42	10	22.8	7.5	11.4	15.6	2.3			
45	420	317	0° - 180° 1818.0 *56.8		.43	.39	.43	.39	.42	.38	12	14.2	9.5	7.1	19.8	1.4			
55	133	132	*E efficiency		.40	.36	.39	.36	.38	.35	14	9.7	11.5	4.9	24.0	1.0			
65	36	37			.37	.33	.36	.33	.36	.32	16	7.0	13.5	3.5	28.1	0.7			
75	18	19			.34	.30	.34	.30	.33	.30									
85	4	5			.32	.28	.32	.28	.31	.28									
90	0				.30	.26	.30	.26	.29	.26									

PDGFI 1/42TRT 8AR WHT "CANDÉO" CLEAR LENS

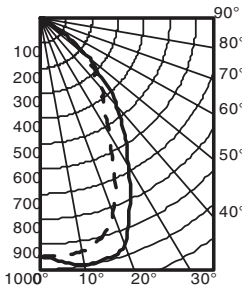
(1) CF42DT/E/IN/835, 3200 lumens per lamp, Pos. #3 (drop), Test No. LTL11462



From 0°	Ave Lumens	Lumens	Zone Lumens % Lamp	pf	20%						50% beam angle		10% beam angle						
					80%		70%		50%		49.8°		89.5°						
					50%	30%	50%	30%	50%	30%	Initial fc	fc at	Beam	Beam					
0	1394		0° - 30° 899.4 28.1	pc															
5	1386	131	0° - 40° 1281.4 40.0	pw	.62	.60	.60	.59	.58	.57	Mount at beam	Beam	fc at <td>Beam</td> <td>fc at</td> <td></td> <td></td> <td></td>	Beam	fc at				
15	1235	344	0° - 60° 1723.1 53.8		.56	.53	.55	.52	.53	.51	height	center	diameter	beam	edge	diameter	edge		
25	931	424	0° - 90° 1822.1 56.9		.51	.48	.50	.47	.49	.46	8	46.1	5.1	23.0	10.9	4.6			
35	604	382	90° - 180° 3.9 0.1		.47	.43	.46	.42	.45	.42	10	24.8	7.0	12.4	14.9	2.5			
45	384	300	0° - 180° 1826.1 *57.1		.43	.39	.42	.39	.41	.38	12	15.4	8.8	7.7	18.9	1.5			
55	147	142	*E efficiency		.40	.35	.39	.35	.38	.35	14	10.5	10.7	5.3	22.8	1.1			
65	52	54			.37	.33	.36	.32	.35	.32	16	7.6	12.5	3.8	26.8	0.8			
75	29	31			.34	.30	.34	.30	.33	.29									
85	13	14			.32	.28	.31	.28	.31	.27									
90	7				.30	.26	.29	.26	.29	.25									

PDGFI 1/42TRT 8AR WHT "CANDÉO" CLEAR LENS

(1) CF42DT/E/IN/835, 2400 lumens per lamp, Pos. #1 (flush), Test No. LTL11473



From 0°	Ave Lumens	Lumens	Zone Lumens % Lamp	pf	20%						50% beam angle		10% beam angle						
					80%		70%		50%		52.2°		92.1°						
					50%	30%	50%	30%	50%	30%	Initial fc	fc at	Beam	Beam					
0	949		0° - 30° 661.2 27.6	pc															
5	955	91	0° - 40° 950.2 39.6	pw	.60	.58	.59	.57	.56	.55	Mount at beam	Beam	fc at <td>Beam</td> <td>fc at</td> <td></td> <td></td> <td></td>	Beam	fc at				
15	919	255	0° - 60° 1275.6 53.2		.55	.52	.54	.51	.52	.50	height	center	diameter	beam	edge	diameter	edge		
25	687	314	0° - 90° 1319.2 55.0		.50	.46	.49	.46	.47	.45	8	31.4	5.4	15.7	11.4	3.1			
35	456	289	90° - 180° 0.0 0.0		.46	.42	.45	.42	.44	.41	10	16.9	7.4	8.4	15.6	1.7			
45	309	230	0° - 180° 1319.2 *55.0		.42	.38	.41	.38	.40	.37	12	10.5	9.3	5.3	19.7	1.1			
55	95	95	*E efficiency		.39	.35	.38	.34	.37	.34	14	7.2	11.3	3.6	23.9	0.7			
65	26	27			.36	.32	.35	.32	.35	.31	16	5.2	13.2	2.6	28.0	0.5			
75	13	13			.33	.29	.33	.29	.32	.29									
85	3	4			.31	.27	.31	.27	.30	.27									
90	0				.29	.25	.29	.25	.28	.25									

To calculate colored lens efficiencies, multiply the standard white efficiency by these factors:
 Sky (BLU) .709 Sea (GRN) .720 Sand (TAN) .864

PHOTOMETRY NOTES

- Tested to current IES and NEMA standards under stabilized laboratory conditions.
- Actual performance may differ as a result of end-user environment and application.
- Consult factory or IES file for microgroove baffle, black cone or other photometric reports.