

Gotham Architectural Downlighting
Incandescent Low-Profile Downlights

8" AZW
Open Wallwash

Horizontal A21 Lamp

FEATURES

OPTICAL SYSTEM

- Self-flanged, semi-specular, matte-diffuse or specular reflector. Patented Bounding Ray™ Optical Principle design (U.S. Patent No. 5,800,050).
- Patented hybrid kicker utilizes a multi-finish process to provide maximum vertical illumination on the wall.

MECHANICAL SYSTEM

- 16-gauge galvanized steel construction; maximum 1-1/2" ceiling thickness.
- Telescopic mounting bars maximum of 32" and minimum of 15", preinstalled, 4" vertical adjustment.
- Toolless adjustments post installation.
- Junction box capacity: 8 (4 in, 4 out) No. 12AWG rated for 90°C.

ELECTRICAL SYSTEM

- Galvanized steel lampholder housing.
- Medium-base porcelain socket with nickel-plated screw shell.
- Thermally activated insulation detector.

LISTING

- Fixtures are UL Listed for thru-branch wiring, non-IC recessed mounting and damp locations. Listed and labeled to comply with Canadian standards.

WARRANTY

- 1-year limited warranty. Complete warranty terms located at: www.acuitybrands.com/CustomerResources/Terms_and_conditions.aspx

ORDERING INFORMATION

EXAMPLE: AZW 8AR

Series ¹	Aperture/Trim color	Finish	Lens type	Options
AZW	8AR Clear	(blank) Semi-specular	(blank) No lens	TRW White painted flange
	8PR Pewter	LD Matte-diffuse	CGL Clear glass lens	TRBL Black painted flange
	8WTR Wheat	LS Specular		CP Chicago plenum
	8GR Gold			RRL³ RELOC®-ready luminaire. Provides compatibility with Lithonia RELOC system. Access above ceiling required.
	8WR² White painted			SDT Stepdown transformer (277V to 120V)
				SDT347 Stepdown transformer (347V to 120V; 75W max.)
				SF Single fuse
				GSKT Foam gasketing
				WRL⁴ Wattage restriction label

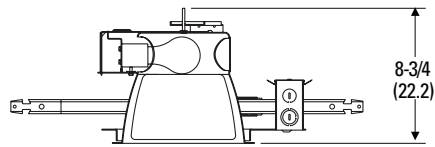
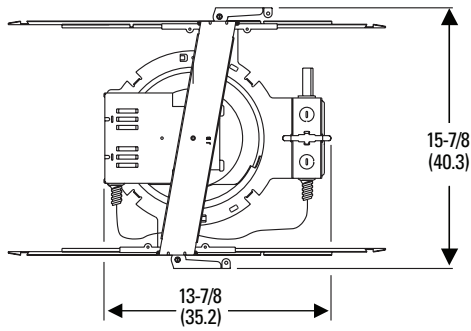
NOTES

ORDERING NOTES

1. Maximum wattage: 150W A21 lamp.
2. Not available with finishes.
3. For compatible RELOC systems, refer to [TECH-110](#).
4. Must specify wattage: Ex.: WRL50

DIMENSIONAL DATA

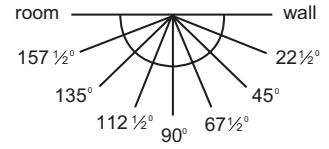
All dimensions are inches (centimeters) unless otherwise noted.



Aperture: 7-7/8 (20.1)
Ceiling Opening: 8-7/8 (22.5)
Overlap Trim: 9-1/4 (23.5)

TECHNICAL INFORMATION

Footcandle values are initial and tables are based on minimum of six units. For fixture-to-wall distance other than those shown, use maximum of one-to-one spacing (distance between fixtures not more than distance to wall) for best results.



Fixture/Lamp	Candlepower Data	Footcandle values
--------------	------------------	-------------------

AZW 8AR

(1) 150 WATT, A21 lamp

2780 rated lumens

Test no. LTL14633

Vertical Angle	Plane Angle									3 ft. from wall on 3 ft. centers			3 ft. from wall on 4 ft. centers			
	Room	Room Side							Wall Side							
		157.5°	135°	112.5°	90°	67.5°	45°	22.5°	Wall							
0°	743	743	743	743	743	743	743	743	743	743	743	743	743	743	743	743
5°	798	832	864	881	876	817	751	704	666	1	9	8	9	7	5	7
15°	863	943	1043	1135	1147	882	703	610	572	2	18	17	18	14	12	14
25°	1043	1142	1207	1198	1126	868	659	572	540	3	21	21	21	17	15	17
35°	657	682	680	695	694	620	540	482	410	4	19	19	19	14	15	14
45°	444	401	341	344	354	341	347	350	340	5	17	17	17	13	12	13
55°	70	73	73	76	89	128	185	196	202	6	14	15	14	11	11	11
65°	20	20	18	16	20	50	92	104	112	7	12	12	12	9	10	9
75°	11	12	10	9	9	20	37	41	45	8	10	10	10	8	8	8
85°	1	1	1	1	2	3	6	6	6	9	8	8	8	7	6	7
90°	0	0	0	0	0	0	0	0	0	10	7	7	7	6	6	6

PHOTOMETRY NOTES

- Tested to current IES and NEMA standards under stabilized laboratory conditions.
- Actual performance may differ as a result of end-user environment and application.
- Consult factory or IES file for microgroove baffle, black cone or other photometric reports.