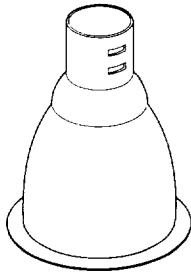


# INSTALLATION INSTRUCTIONS "A/AZ/AW/AWZ" Reflector

Upon receipt, thoroughly inspect for any freight damage which should be brought to the attention of the delivery carrier. Compare the catalog description listed on the packing slip with the label on the carton to ensure you have received the correct merchandise.



## IMPORTANT SAFETY INFORMATION For Your Protection, Read Carefully

**WARNING** - Risk of fire. Do not install insulation within 3 inches of fixture sides or wiring compartment, nor above the fixture in such a manner as to entrap heat.

**1. Electric current can cause painful shock or serious injury unless handled properly. For your safety, always remember the following:**

- Turn off the power supply.
- Ground the fixture to avoid potential electrical shocks.
- Do not handle an energized fixture or energize any fixture with wet hands, when standing on a wet or damp surface, or in water.
- Double check all electrical connections to be sure they are tight and correct.

**2. Specific safety information concerning lamps:**

- Match wattage of fixture and lamp exactly.
- Do not remove or insert lamp when power is on.
- Do not scratch glass or subject lamp to undue pressure as either may cause lamp breakage.
- Protect operating lamp from sources of moisture.

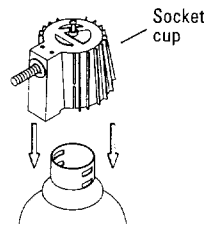


Figure 1

Catalog Number	Wattage/Lamp Type	Slot Position
A5	100W/A19	Only Slot
A6	100W/A19	Lower Slot
	150W/A21	Upper Slot
A7	150W/A21	Lower Slot
	200W/A23	Middle Slot
	300W/PS25	Upper Slot
A8	150W/A21	Lower Slot
	200W/A23	Middle Slot
	300W/PS25	Upper Slot

Figure 2

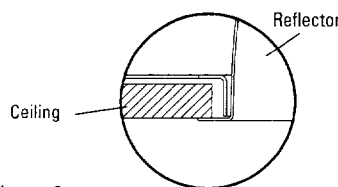


Figure 3

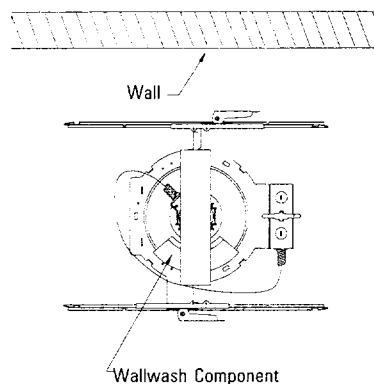


Figure 4

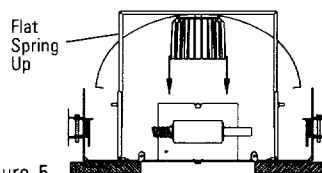


Figure 5

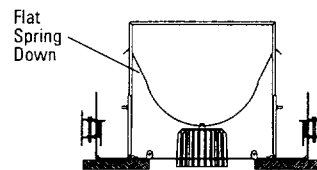


Figure 6

## New Installation for A and AZ Reflector

1. Attach socket cup to top of reflector by aligning and engaging spring in socket cup with slots in top of reflector as shown in Figure 1. Lamp type and wattage markings are located near the slots in top of reflector or refer to Figure 2 for proper positioning of socket cup for optimum light distribution.
2. Push reflector through the ceiling opening until reflector flange is flush with the ceiling as shown in Figure 3.
3. Install appropriate lamp as determined by position of the socket cup/lamp type and wattage markings on the reflector.  
**WARNING - Do not exceed the wattage restrictions.** If socket cup adjustment is required: reach inside of reflector, compress springs in socket cup and move to appropriate reflector slot.
4. To remove the reflector: remove lamp, pull reflector downward with a slight twisting motion until it becomes free of the retaining clips, reach inside of reflector, compress springs in socket cup and remove socket cup from reflector.

## New Installation for AW Reflector

1. The AW mounting frame utilizes an adjustable, flat spring, yoke assembly to retain the reflector into the ceiling as shown in Figure 5. The yoke assembly must be properly installed onto the mounting frame. Refer to the INSTALLATION INSTRUCTIONS included with the mounting frame for proper yoke assembly installation.
2. The yoke assembly is preset at the factory for a ceiling thickness up to 1-5/8". For other ceiling thicknesses, adjust the yoke assembly by loosening the screws on the yoke and moving the yoke downward equal to the difference of the ceiling thickness minus 1-5/8" (ex. 3" ceiling thickness minus 1-5/8" = 1-3/8"). Refer to scale on the yoke assembly for ease of adjustment.
3. The socket cup is factory installed to the flat spring. Pull the socket cup down into the ceiling opening until the flat spring is fully extended as shown in Figures 5 and 6.
4. Attach socket cup to top of reflector by aligning and engaging spring in socket cup with slots in top of reflector as shown in Figure 1. Lamp type and wattage markings are located near the slots in top of reflector or refer to Figure 2 for proper positioning of socket cup for optimum light distribution.
5. Push reflector up through the ceiling open-

# A/AZ/AW/AWZ, Reflector Installation Instructions

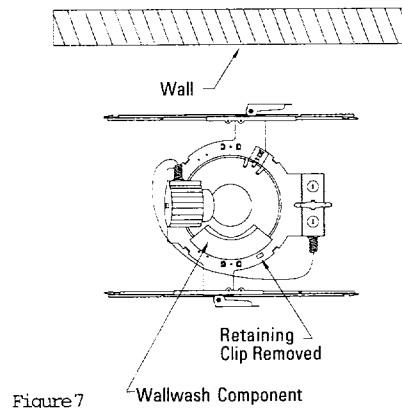
ing, until the flat spring pulls it up to the ceiling making sure that the wallwash component included with the reflector is properly oriented with respect to the wall to be illuminated as shown in Figure 4.

6. If reflector does not rest tightly against the ceiling, remove the reflector, adjust the yoke assembly downward and re-attach reflector.
7. Install appropriate lamp as determined by position of the socket cup/lamp type and wattage markings on the reflector. **WARNING - Do not exceed the wattage restrictions.** If socket cup adjustment is required: reach inside of reflector, compress springs in socket cup and move to appropriate reflector slot.
8. To remove the reflector: remove lamp, pull reflector downward until the flat spring is fully extended, reach inside of reflector, compress springs in socket cup and remove socket cup from reflector.

## New Installation for AWZ Reflector

1. Remove one retaining clip from the mounting frame as shown in Figure 7 making sure that the wallwash component included with the reflector will be properly oriented with respect to the wall to be illuminated also shown in Figure 7.
2. Attach socket cup to top of reflector by aligning and engaging spring in socket cup with slots in top of reflector as shown in Figure 1. Lamp type and wattage markings are located near the slots in top of reflector for proper positioning of socket cup for optimum light distribution.

3. Push reflector through the ceiling opening until reflector flange is flush with the ceiling as shown in Figure 3.
4. Install appropriate lamp as determined by position of the socket cup/lamp type and wattage markings on the reflector. **WARNING - Do not exceed the wattage restrictions.** If socket cup adjustment is required: reach inside of reflector, compress springs in socket cup and move to appropriate reflector slot.
5. To remove the reflector: remove lamp, pull reflector downward with a slight twisting motion until it becomes free of the retaining clips, reach inside of reflector, compress springs in socket cup and remove socket cup from reflector.



## TROUBLE SHOOTING CHART

Check for any visible damage to the lamp or frame-in module. If they seem in good condition, locate the problem in the following list of possible causes and corrective actions.

Symptom	Possible Cause	Corrective Action
LAMP FAILS TO LIGHT	<ul style="list-style-type: none"> <li>·Circuit feeding the fixture not energized</li> <li>·Wiring error in circuit or module connection</li> <li>·Faulty lamp</li> </ul>	<ul style="list-style-type: none"> <li>·Check circuit breaker or fuse to ensure that circuit is energized.</li> <li>·Examine fixture splice box to ensure that connections are correct.</li> <li>·Remove the faulty lamp and substitute another lamp, preferably one that is known to light. If the lamp lights, replace the original with a new one.</li> </ul>
LAMP GOES OUT AFTER LIGHTING	<ul style="list-style-type: none"> <li>·Faulty lamp</li> </ul>	<ul style="list-style-type: none"> <li>·Occasionally a lamp will exhibit this symptom rather than simply failing to light. Substitute a new lamp.</li> </ul>
LAMP CYCLES ON AND OFF	<ul style="list-style-type: none"> <li>·Insulation is too close to fixture</li> <li>·Lamp wattage too high</li> </ul>	<ul style="list-style-type: none"> <li>·Remove insulation from around module (at least 3")</li> <li>·Install lamp wattage specified in housing.</li> </ul>