

Gotham Architectural Downlighting
Incandescent Downlights

**10" LGZ
Round Lens**

Wet Location
Horizontal A23 Lamp

FEATURES

OPTICAL SYSTEM

- Aluminum upper reflector coated with highly reflective white paint provides high efficiency and an evenly illuminated aperture appearance.
- Available with tempered prismatic lens (T73), flat Fresnel lens (FFL) or flat opal lens (FOL).
- Regressed white door (RW) or stepped black baffle (SB) are available with white painted flange provided.
- Door is retained by self-aligning, torsion support springs, preventing gaps between door and ceiling.

MECHANICAL SYSTEM

- 16-gauge galvanized steel mounting/plaster frame with integral yoke to retain optical system. Maximum 1-1/2" ceiling thickness.
- 16-gauge galvanized steel mounting bars with continuous 4" vertical adjustment are shipped pre-installed. Post installation adjustment possible without the use of tools from above or below ceiling.
- Galvanized steel junction box with hinged access covers and spring latch. Two combination 1/2"-3/4" and two 1/2" knockouts for straight-through conduit runs. Capacity: 8 (4 in, 4 out) No. 12 AWG conductors rated for 90°C.

ELECTRICAL SYSTEM

- Galvanized steel lampholder housing.
- Medium-base porcelain socket with nickel-plated screw shell.
- Thermally-activated insulation detector.

LISTING

- Fixtures are UL Listed for thru-branch wiring, non-IC recessed mounting and wet locations. Listed and labeled to comply with Canadian standards.

WARRANTY

- 1-year limited warranty. Complete warranty terms located at: www.acuitybrands.com/CustomerResources/Terms_and_conditions.aspx

ORDERING INFORMATION

EXAMPLE: LGZ 10RW T73

Series ¹	Door frame	Lens type	Options
LGZ	10RW Regressed white door	T73 Tempered prismatic lens	CP Chicago plenum
	10SB Stepped black baffle	FFL Flat fresnel lens	TRDA² Tamper resistant door assembly
		FOL Flat opal lens	RRL³ RELOC®-ready luminaire. Provides compatibility with Lithonia RELOC system. Access above ceiling required.
			SDT 277 step-down transformer (277V to 120V)
			SDT347 347 step-down transformer (347V to 120V; 75W max.)
			GSKT Foam gasketing, ships uninstalled
			SF Single fuse

ACCESSORIES order as separate catalog numbers (shipped separately)

SCA10 Sloped ceiling adapter. Degree of slope must be specified (10D, 15D, 20D, 25D, 30D). Ex: SCA10 10D.

NOTES

ORDERING NOTES

1. Maximum wattage: 200W A23 lamp.
2. Uses Torx T15 rejection pin drive system.
3. For compatible RELOC systems, refer to [TECH-110](#).

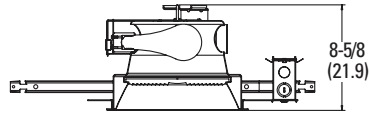
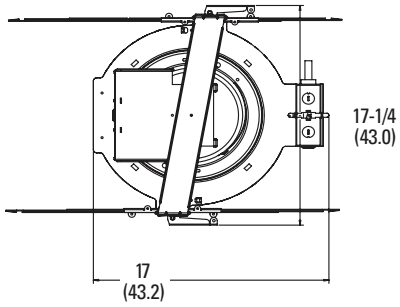
10" LGZ
Round Lens

Wet Location, Horizontal A23 Lamp



DIMENSIONAL DATA

All dimensions are inches (centimeters) unless otherwise noted.

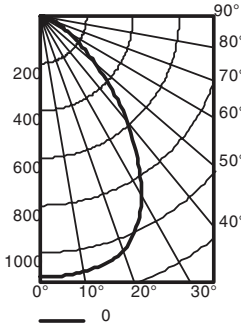


- Aperture: 9-3/4 (24.8)
- Ceiling Opening: 10-1/2 (26.7)
- Overlap Trim: 11-1/8 (28.3)

Distribution Curve Distribution Data Output Data Coefficient of Utilization Illuminance: Single Luminaire 30" Above Floor

LGZ 10RW T73

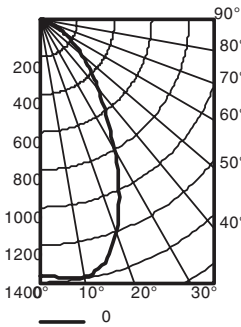
200W A23 LAMP, 1.2 S/MH, 3800 RATED LUMENS, TEST NO. LTL14179



From 0°	Ave	Lumens	Zone	Lumens	% Lamp	pf	20%				50% beam angle		10% beam angle								
							80%	70%	50%	30%	60.9°	95.6°	fc at	fc at							
0	5	15	25	35	45	55	65	75	85	90	1	2	3	4	5	6	7	8	9	10	
0	1101		0° - 30°	858.8	22.6																
5	1101	105	0° - 40°	1312.6	34.5	1	.56	.55	.55	.54	.53	.52									
15	1083	305	0° - 60°	1844.0	48.5	2	.51	.48	.50	.47	.48	.46	Initial fc								
25	983	449	0° - 90°	1986.3	52.3	3	.46	.42	.45	.42	.44	.41	Mount at beam	Beam	Beam	Beam	Beam	Beam	Beam	Beam	
35	729	454	90° - 180°	0.0	0.0	4	.42	.38	.41	.37	.40	.37	height	center	diameter	edge	diameter	edge	diameter	edge	
45	440	339	0° - 180°	1986.3	*52.3	5	.38	.34	.37	.34	.36	.33	8	36.4	6.5	18.2	12.1	3.6			
55	210	192	*E efficiency			6	.35	.31	.34	.31	.33	.30	10	19.6	8.8	9.8	16.5	2.0			
65	96	97				7	.32	.28	.32	.28	.31	.27	12	12.2	11.2	6.1	21.0	1.2			
75	32	37				8	.30	.26	.29	.25	.29	.25	14	8.3	13.5	4.2	25.4	0.8			
85	8	9				9	.27	.24	.27	.23	.26	.23	16	6.0	15.9	3.0	29.8	0.6			
90	0					10	.25	.22	.25	.22	.25	.21									

LGZ 10RW FFL

200W A23 LAMP, 1.0 S/MH, 3800 RATED LUMENS, TEST NO. LTL14180



From 0°	Ave	Lumens	Zone	Lumens	% Lamp	pf	20%				50% beam angle		10% beam angle								
							80%	70%	50%	30%	52.7°	89.8°	fc at	fc at							
0	5	15	25	35	45	55	65	75	85	90	1	2	3	4	5	6	7	8	9	10	
0	1365		0° - 30°	960.9	25.3																
5	1379	132	0° - 40°	1350.8	35.5	1	.57	.55	.55	.54	.53	.52	Initial fc								
15	1338	371	0° - 60°	1842.2	48.5	2	.51	.48	.50	.48	.48	.46	Mount at beam	Beam	Beam	Beam	Beam	Beam	Beam	Beam	
25	1003	457	0° - 90°	1987.7	52.3	3	.46	.43	.46	.43	.44	.42	height	center	diameter	edge	diameter	edge	diameter	edge	
35	619	390	90° - 180°	0.0	0.0	4	.42	.39	.42	.38	.40	.37	8	45.1	5.4	22.6	11.0	4.5			
45	383	296	0° - 180°	1987.7	*52.3	5	.39	.35	.38	.35	.37	.34	10	24.3	7.4	12.1	15.0	2.4			
55	216	195	*E efficiency			6	.36	.32	.35	.32	.34	.31	12	15.1	9.4	7.6	19.0	1.5			
65	99	100				7	.33	.29	.33	.29	.32	.29	14	10.3	11.4	5.2	22.9	1.0			
75	33	37				8	.31	.27	.30	.27	.30	.26	16	7.5	13.4	3.7	26.9	0.7			
85	8	9				9	.28	.25	.28	.25	.28	.24									
90	0					10	.27	.23	.26	.23	.26	.23									

PHOTOMETRY NOTES

- Tested to current IES and NEMA standards under stabilized laboratory conditions.
- Actual performance may differ as a result of end-user environment and application.
- Consult factory or IES file for microgroove baffle, black cone or other photometric reports.