



Gotham Architectural Downlighting
International - Install from Below
Decorative Compact Fluorescent Downlights

6" PДФI
Ice™ Turbo

Horizontal Triple-Tube Lamp

FEATURES

OPTICAL SYSTEM

- Reflector - Self-flanged, matte-finished clear anodized reflector. Fluted vertical upper section works in conjunction with patented Bounding Ray™ Optical Principle design (U.S. Patent No. 5,800,050) to provide lamp before lamp image and smooth transition from top of reflector to bottom. Minimum flange matches reflector finish. White painted flange optional.
- Turbo Baffle - Clear acrylic, three-spoke turbo baffle with surface that provides a decorative edge-glow appearance.
- Hinged lampdoor seals upper trim for optimal fixture efficiency and the reduction of stray light in the plenum.

MECHANICAL

- Pre-wire galvanized steel junction box mounted to reflector provided with removable access cover. No. 12 AWG conductors rated for 90°C.
- Three (3) swinggate brackets allow for installation from below the ceiling. Suitable for ceiling thickness ranging from 5/8" (1.59cm) to 1" (2.54cm).

ELECTRICAL SYSTEM

- Horizontally-mounted, positive-latch, thermoplastic socket.
- Thermally protected, high power factor electronic ballast (50/60Hz) mounted to the junction box.
- Eurostyle terminal block included for power supply and ground connections.

LISTING

- Fixtures are CE listed, recessed mounting and damp locations.

WARRANTY

- 1-year limited warranty. Complete warranty terms located at: www.acuitybrands.com/CustomerResources/Terms_and_conditions.aspx

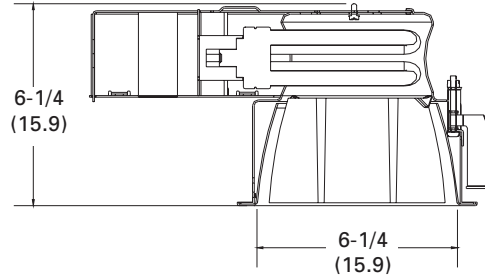
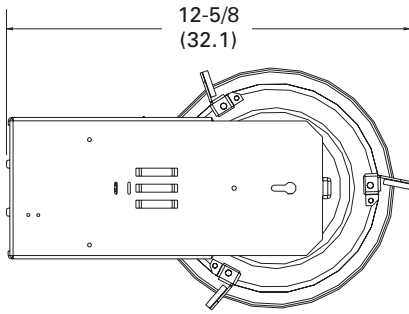
ORDERING INFORMATION

EXAMPLE: PДФI 1/32TRT 6AR 220

Series	Lamp/Wattage	Aperture/Trim	Voltage	Ballast	Options
PДФI	1/18TRT 1/26TRT 1/32TRT 1/42TRT	6AR Clear	220 240	(blank) GEB10 standard, electronic ballast	TRW White painted flange WLP With 3500 K lamp (shipped separately) GSKT Foam gasketing, ships uninstalled

DIMENSIONAL DATA

All dimensions are inches (centimeters) unless otherwise noted.

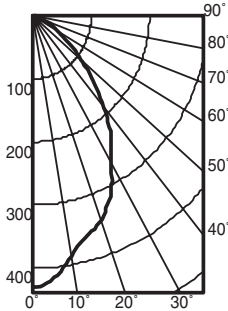


Aperture: 6-1/4 (15.9)
Ceiling Opening: 6-7/8 (17.5)
Overlap Trim: 7-1/2 (19.1)

Distribution Curve Distribution Data Output Data Coefficient of Utilization Illuminance: Single Luminaire 30" Above Floor

PDTFI 1/26TRT 6AR

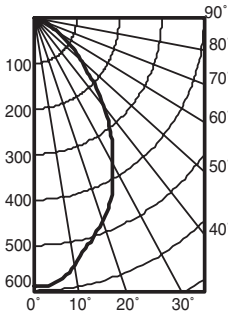
(1) CF26DT/E/IN/835, 1800 lumens per lamp, Test no. LTL11853



From 0°	Ave	Lumens	Zone	Lumens	% Lamp	pf	20%				50% beam angle		10% beam angle		
							80%		70%		53.3°		93.3°		
							50%	30%	50%	30%	50%	30%	50%	30%	
0	430		0° - 30°	283.6	15.8	pc									
5	417	39	0° - 40°	427.8	23.8	pw	.40	.38	.39	.38	.37	.36			
15	360	102	0° - 60°	608.9	33.8	1	.36	.34	.35	.33	.34	.32	Initial fc		
25	314	143	0° - 90°	662.0	36.8	2	.32	.30	.32	.29	.31	.29	Mount at beam		
35	234	144	90° - 180°	0.0	0.0	3	.29	.26	.29	.26	.28	.26	height	center	Beam
45	146	113	0° - 180°	662.0	*36.8	4	.27	.24	.26	.24	.25	.23	diameter	diameter	diameter
55	76	68				5	.24	.22	.24	.21	.23	.21	fc at	fc at	fc at
65	34	35				6	.22	.20	.22	.19	.22	.19	beam	beam	beam
75	14	15				7	.21	.18	.20	.18	.20	.18	edge	edge	edge
85	3	3				8	.19	.16	.19	.16	.19	.16	Mount at beam		
90	0					9	.18	.15	.18	.15	.17	.15	height	center	Beam
						10							diameter	diameter	diameter

PDTFI 1/32TRT 6AR

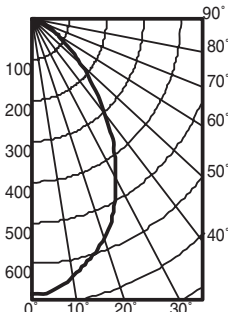
(1) CF32DT/E/IN/835, 2400 lumens per lamp, Test no. LTL11851



From 0°	Ave	Lumens	Zone	Lumens	% Lamp	pf	20%				50% beam angle		10% beam angle		
							80%		70%		53.2°		92.6°		
							50%	30%	50%	30%	50%	30%	50%	30%	
0	590		0° - 30°	394.1	16.4	pc									
5	583	55	0° - 40°	589.9	24.6	pw	.40	.39	.40	.38	.38	.37			
15	509	143	0° - 60°	829.2	34.5	1	.36	.34	.36	.34	.34	.33	Initial fc		
25	431	196	0° - 90°	899.9	37.5	2	.33	.30	.32	.30	.31	.29	Mount at beam		
35	317	196	90° - 180°	0.0	0.0	3	.30	.27	.29	.27	.29	.26	height	center	Beam
45	192	149	0° - 180°	899.9	*37.5	4	.30	.27	.29	.27	.29	.26	diameter	diameter	diameter
55	100	90				5	.27	.24	.27	.24	.26	.24	fc at	fc at	fc at
65	45	46				6	.25	.22	.25	.22	.24	.22	beam	beam	beam
75	18	20				7	.23	.20	.23	.20	.22	.20	edge	edge	edge
85	4	5				8	.21	.18	.21	.18	.21	.18	Mount at beam		
90	0					9	.20	.17	.20	.17	.19	.17	height	center	Beam
						10	.18	.16	.18	.16	.18	.16	diameter	diameter	diameter

PDTFI 1/42TRT 6AR

(1) CF42DT/E/IN/835, 3200 lumens per lamp, Test no. LTL11854



From 0°	Ave	Lumens	Zone	Lumens	% Lamp	pf	20%				50% beam angle		10% beam angle		
							80%		70%		55.2°		93.5°		
							50%	30%	50%	30%	50%	30%	50%	30%	
0	673		0° - 30°	470.3	14.7	pc									
5	668	63	0° - 40°	707.7	22.1	pw	.36	.35	.36	.35	.34	.33			
15	607	171	0° - 60°	995.2	31.1	1	.33	.31	.32	.30	.31	.30	Initial fc		
25	520	237	0° - 90°	1079.4	33.7	2	.30	.27	.29	.27	.28	.26	Mount at beam		
35	385	237	90° - 180°	0.0	0.0	3	.27	.24	.26	.24	.26	.24	height	center	Beam
45	233	180	0° - 180°	1079.4	*33.7	4	.24	.22	.24	.22	.23	.21	diameter	diameter	diameter
55	119	107				5	.24	.22	.24	.22	.23	.21	fc at	fc at	fc at
65	54	55				6	.22	.20	.22	.20	.22	.19	beam	beam	beam
75	22	24				7	.21	.18	.20	.18	.20	.18	edge	edge	edge
85	4	5				8	.19	.17	.19	.16	.18	.16	Mount at beam		
90	0					9	.18	.15	.18	.15	.17	.15	height	center	Beam
						10	.16	.14	.16	.14	.16	.14	diameter	diameter	diameter

PHOTOMETRY NOTES

- Tested to current IES and NEMA standards under stabilized laboratory conditions.
- Actual performance may differ as a result of end-user environment and application.
- Consult factory or IES file for microgroove baffle, black cone or other photometric reports.