



Gotham Architectural Downlighting
International Decorative Compact Fluorescent Downlights

PDTFI
15.2cm (6'') Ice™ Turbo

Horizontal Triple-Tube Lamp

FEATURES

OPTICAL SYSTEM

- Reflector - Self-flanged, matte-finished clear anodized reflector. Fluted vertical upper section works in conjunction with patented Bounding Ray™ Optical Principle design (U.S. Patent No. 5,800,050) to provide lamp before lamp image and smooth transition from top of reflector to bottom. Minimum flange matches reflector finish. White painted flange optional.
- Turbo Baffle - Clear acrylic, three-spoke turbo baffle with surface that provides a decorative edge-glow appearance.
- Hinged lampdoor seals upper trim for optimal fixture efficiency and the reduction of stray light in the plenum.

MECHANICAL

- Pre-wire galvanized steel junction box mounted to reflector provided with removable access cover. No. 12 AWG conductors rated for 90°C.
- Three (3) swinggate brackets allow for installation from below the ceiling. Suitable for ceiling thickness ranging from 1.59cm (5/8") to 2.54cm (1").

ELECTRICAL SYSTEM

- Horizontally-mounted, positive-latch, thermoplastic socket.
- Thermally protected, high power factor electronic ballast (50/60Hz) mounted to the junction box.
- Eurostyle terminal block included for power supply and ground connections required for CE.

LISTING

- MVOLT, 120V and 277V fixtures are UL Listed, non-IC recessed mounting and damp locations. 220V and 240V fixtures are CE Certified and rated IP20.

WARRANTY

- 1-year limited warranty. Complete warranty terms located at: www.acuitybrands.com/CustomerResources/Terms_and_conditions.aspx

ORDERING INFORMATION

EXAMPLE: PDTFI 1/32TRT 6AR MVOLT

Series	Lamp/Wattage	Aperture/Trim	Voltage	Ballast	Options
PDTFI	1/18TRT	6AR Clear	MVOLT ^{1,2}	(blank) Electronic ballast	TRW White painted flange WLP With 3500 K lamp (shipped separately) GMF⁴ Single, slow-blow fuse GLR⁴ Single, fast-blow fuse GSKT Foam gasketing, ships uninstalled
	1/26TRT		120 ²	ADEZ ⁴ Advance Mark 10® electronic dimming ballast. Minimum dimming level 5%	
	1/32TRT		220 ³	ADZT ⁴ Advance Mark 7® electronic 0-10V DC dimming ballast. Minimum dimming level 3%	
	1/42TRT		240 ³	ECOS Lutron EcoSystem® electronic dimming ballast. Minimum dimming level 5%.	
			277 ²	VDB ⁵ Vossloh 0-10V dimming ballast	

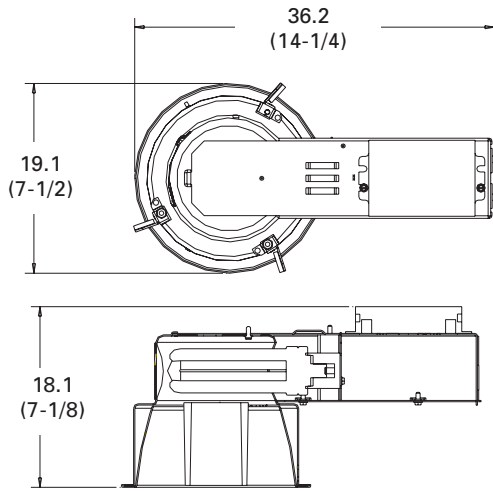
NOTES

ORDERING NOTES	
1. Multi-volt electronic ballast capable of operating on any line voltage from 120V through 277V, 50 or 60Hz.	4. Available in 120V or 277V only.
2. Available with UL listing only. 120-277V, 50/60Hz.	5. Available in 220V or 240V only.
3. Available with CE listing only. 220-240V, 50/60Hz.	

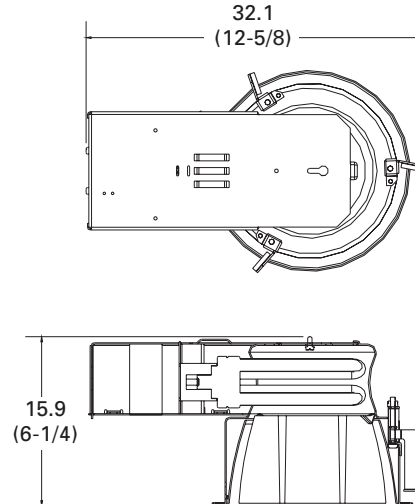
DIMENSIONAL DATA

All dimensions are centimeters (inches) unless otherwise noted.

UL Listed



CE Certified

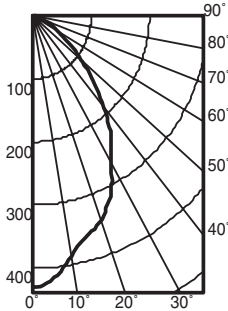


Aperture: 15.9 (6-1/4)
Ceiling Opening: 17.5 (6-7/8)
Overlap Trim: 19.1 (7-1/2)

Distribution Curve Distribution Data Output Data Coefficient of Utilization Illuminance: Single Luminaire 30" Above Floor

PDTFI 1/26TRT 6AR

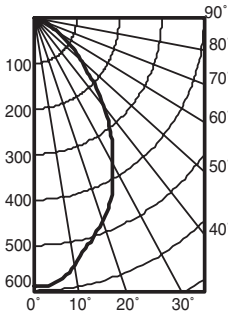
(1) CF26DT/E/IN/835, 1800 lumens per lamp, Test no. LTL11853



From 0°	Ave	Lumens	Zone	Lumens	% Lamp	pf	80%				20%				50% beam angle			10% beam angle				
							50%		30%		70%		30%		50%		Initial fc	fc at	fc at	Beam	Beam	fc at
							pw	pc	pw	pc	pw	pc	pw	pc	53.3°	93.3°						
0	430		0° - 30°	283.6	15.8	1	.40	.38	.39	.38	.37	.36	Mount	at beam	Beam	fc at	Beam	fc at				
5	417	39	0° - 40°	427.8	23.8	2	.36	.34	.35	.33	.34	.32	height	center	diameter	beam	diameter	beam				
15	360	102	0° - 60°	608.9	33.8	3	.32	.30	.32	.29	.31	.29	8	14.2	5.5	7.1	11.6	1.4				
25	314	143	0° - 90°	662.0	36.8	4	.29	.26	.29	.26	.28	.26	10	7.6	7.5	3.8	15.9	0.8				
35	234	144	90° - 180°	0.0	0.0	5	.27	.24	.26	.24	.25	.23	12	4.8	9.5	2.4	20.1	0.5				
45	146	113	0° - 180°	662.0	*36.8	6	.24	.22	.24	.21	.23	.21	14	3.3	11.5	1.6	24.3	0.3				
55	76	68	*Efficiency			7	.22	.20	.22	.19	.22	.19	16	2.4	13.5	1.2	28.6	0.2				
65	34	35				8	.21	.18	.20	.18	.20	.18										
75	14	15				9	.19	.16	.19	.16	.19	.16										
85	3	3				10	.18	.15	.18	.15	.17	.15										
90	0																					

PDTFI 1/32TRT 6AR

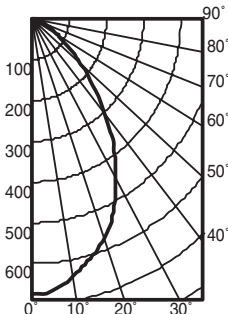
(1) CF32DT/E/IN/835, 2400 lumens per lamp, Test no. LTL11851



From 0°	Ave	Lumens	Zone	Lumens	% Lamp	pf	80%				20%				50% beam angle			10% beam angle				
							50%		30%		70%		30%		50%		Initial fc	fc at	fc at	Beam	Beam	fc at
							pw	pc	pw	pc	pw	pc	pw	pc	53.2°	92.6°						
0	590		0° - 30°	394.1	16.4	1	.40	.39	.40	.38	.38	.37	Mount	at beam	Beam	fc at <td>Beam</td> <td>fc at</td>	Beam	fc at				
5	583	55	0° - 40°	589.9	24.6	2	.36	.34	.36	.34	.34	.33	height	center	diameter	beam	diameter	beam				
15	509	143	0° - 60°	829.2	34.5	3	.33	.30	.32	.30	.31	.29	8	19.5	5.5	9.8	11.5	2.0				
25	431	196	0° - 90°	899.9	37.5	4	.30	.27	.29	.27	.29	.26	10	10.5	7.5	5.2	15.7	1.0				
35	317	196	90° - 180°	0.0	0.0	5	.27	.24	.27	.24	.26	.24	12	6.5	9.5	3.3	19.9	0.7				
45	192	149	0° - 180°	899.9	*37.5	6	.25	.22	.25	.22	.24	.22	14	4.5	11.5	2.2	24.1	0.4				
55	100	90	*Efficiency			7	.23	.20	.23	.20	.22	.20	16	3.2	13.5	1.6	28.2	0.3				
65	45	46				8	.21	.18	.21	.18	.21	.18										
75	18	20				9	.20	.17	.20	.17	.19	.17										
85	4	5				10	.18	.16	.18	.16	.18	.16										
90	0																					

PDTFI 1/42TRT 6AR

(1) CF42DT/E/IN/835, 3200 lumens per lamp, Test no. LTL11854



From 0°	Ave	Lumens	Zone	Lumens	% Lamp	pf	80%				20%				50% beam angle			10% beam angle				
							50%		30%		70%		30%		50%		Initial fc	fc at	fc at	Beam	Beam	fc at
							pw	pc	pw	pc	pw	pc	pw	pc	55.2°	93.5°						
0	673		0° - 30°	470.3	14.7	1	.36	.35	.36	.35	.34	.33	Mount	at beam	Beam	fc at <td>Beam</td> <td>fc at</td>	Beam	fc at				
5	668	63	0° - 40°	707.7	22.1	2	.33	.31	.32	.30	.31	.30	height	center	diameter	beam	diameter	beam				
15	607	171	0° - 60°	995.2	31.1	3	.30	.27	.29	.27	.28	.26	8	22.2	5.8	11.1	11.7	2.2				
25	520	237	0° - 90°	1079.4	33.7	4	.27	.24	.26	.24	.26	.24	10	12.0	7.8	6.0	16.0	1.2				
35	385	237	90° - 180°	0.0	0.0	5	.24	.22	.24	.22	.23	.21	12	7.5	9.9	3.7	20.2	0.7				
45	233	180	0° - 180°	1079.4	*33.7	6	.22	.20	.22	.20	.22	.19	14	5.1	12.0	2.5	24.5	0.5				
55	119	107	*Efficiency			7	.21	.18	.20	.18	.20	.18	16	3.7	14.1	1.8	28.7	0.4				
65	54	55				8	.19	.17	.19	.16	.18	.16										
75	22	24				9	.18	.15	.18	.15	.17	.15										
85	4	5				10	.16	.14	.16	.14	.16	.14										
90	0																					

PHOTOMETRY NOTES

- Tested to current IES and NEMA standards under stabilized laboratory conditions.
- Actual performance may differ as a result of end-user environment and application.
- Consult factory or IES file for microgroove baffle, black cone or other photometric reports.