

**READ AND FOLLOW ALL SAFETY INSTRUCTIONS!  
SAVE THESE INSTRUCTIONS AND DELIVER TO OWNER AFTER INSTALLATION**

- To reduce the risk of death, personal injury or property damage from fire, electric shock, falling parts, cuts/abrasions, and other hazards please read all warnings and instructions included with and on the fixture box and all fixture labels.
- Before installing, servicing, or performing routine maintenance upon this equipment, follow these general precautions.
- Installation and service of luminaires should be performed by a **qualified licensed electrician**.
- Maintenance of the luminaires should be performed by person(s) familiar with the luminaires' construction and operation and any hazards involved. Regular fixture maintenance programs are recommended.
- It will occasionally be necessary to clean the outside of the refractor/lens. Frequency of cleaning will depend on ambient dirt level and minimum light output which is acceptable to user. Refractor/lens should be washed in a solution of warm water and any mild, non-abrasive household detergent, rinsed with clean water and wiped dry. Should optical assembly become dirty on the inside, wipe refractor/lens and clean in above manner, replacing damaged gaskets as necessary.
- **DO NOT INSTALL DAMAGED PRODUCT!** This luminaire has been properly packed so that no parts should have been damaged during transit. Inspect to confirm. Any part damaged or broken during or after assembly should be replaced.
- Recycle: For information on how to recycle LED electronic products, please visit [www.epa.gov](http://www.epa.gov).
- These instructions do not purport to cover all details or variations in equipment nor to provide every possible contingency to meet in connection with installation, operation, or maintenance. Should further information be desired or should particular problems arise which are not covered sufficiently for the purchaser's or owner's purposes, this matter should be referred to Acuity Brands Lighting, Inc.



**WARNING  
RISK OF ELECTRIC SHOCK**

- ✓ Disconnect or turn off power before installation or servicing.
- ✓ Verify that supply voltage is correct by comparing it with the luminaire label information.
- ✓ Make all electrical and grounded connections in accordance with the National Electrical Code (NEC) and any applicable local code requirements.
- ✓ All wiring connections should be capped with UL approved recognized wire connectors.



**WARNING  
RISK OF BURN**

- ✓ Allow lamp/fixture to cool before handling. Do not touch enclosure or light source.
- ✓ Do not exceed maximum wattage marked on luminaire label.
- ✓ Follow all manufacturer's warnings, recommendations and restrictions for: driver type, burning position, mounting locations/methods, replacement and recycling.



**WARNING  
RISK OF INJURY**

- ✓ Wear gloves and safety glasses at all times when removing luminaire from carton, installing, servicing or performing maintenance.
- ✓ Avoid direct eye exposure to the light source while it is on.



**CAUTION  
RISK OF FIRE**

- ✓ Keep combustible and other materials that can burn, away from lamp/lens.
- ✓ Do not operate in close proximity to persons, combustible materials or substances affected by heat or drying.

## LED IMPORTANT SAFETY INSTRUCTIONS



**CAUTION: RISK OF PRODUCT DAMAGE**

- ✓ Never connect components under load.
- ✓ Do not mount or support these fixtures in a manner that can cut the outer jacket or damage wire insulation.
- ✓ Controls for dimming, auto-sensing, or remote control of a luminaire that are not factory-wired to the luminaire must be checked for compatibility with the luminaire prior to installation. LED fixtures must be powered directly off a switched circuit.
- ✓ Unless individual product specifications deem otherwise: Do not restrict fixture ventilation. Allow for some volume of airspace around fixture. Avoid covering LED fixtures with insulation, foam, or other material that will prevent convection or conduction cooling.
- ✓ Unless individual product specifications deem otherwise: Do not exceed fixtures maximum ambient temperature.
- ✓ Only use fixture in its intended location.
- ✓ LED products are Polarity Sensitive. Ensure proper Polarity before installation.
- ✓ Electrostatic Discharge (ESD): ESD can damage LED fixtures. Personal grounding equipment must be worn during all installation or servicing of the unit.
- ✓ Do not touch individual electrical components as this can cause ESD, shorten lamp life, or alter performance.
- ✓ Some components inside the fixture may not be serviceable. In the unlikely event your unit may require service, stop using the unit immediately and contact an ABL representative for assistance.
- ✓ Always read the fixtures complete installation instructions prior to installation for any additional fixture specific warnings.
- ✓ Always ensure that the electrical distribution system is up to NEC (and any applicable local code) requirements.
- ✓ Verify that power distribution system has proper grounding. Lack of proper earth ground can lead to fixture failure and may void warranty.

All luminaires that contain electronic devices that generate frequencies above 9kHz from any component within the luminaire comply with Part 15 of the FCC Rules. Operation is subject to the following two conditions:

- (1) This device may not cause harmful interference
- (2) This device must accept any interference received, including interference that may cause undesired operation

**Failure to follow any of these instructions could void product warranties. For a complete listing of product Terms and Conditions, please visit [www.acuitybrands.com](http://www.acuitybrands.com).**

Our Brands	Lighting	Controls	Components	Daylighting
	Aculux	Juno	eldoLED	SunOptics
	American Electric Lighting	Lithonia Lighting	RELOC	
	Antique Street Lamps	Mark Architectural Lighting	Power Sentry	
	Carandini	Peerless		
	Gotham	Winona		
	Healthcare Lighting			
	Holophane			
	Hydrel			
	Indy			
		DTL		
		Fresco		
		LC&D		
		nLight		
		ROAM		
		Sensor Switch		
		Synergy		
		XPoint Wireless		
		Distech Controls		

**Acuity Brands Lighting, Inc. assumes no responsibility for claims arising out of improper or careless installation or handling of its products.**

ABL LED General Warnings, Form No. 503.203

© 2010, 2016 Acuity Brands Lighting, Inc. All rights reserved. 12/01/10

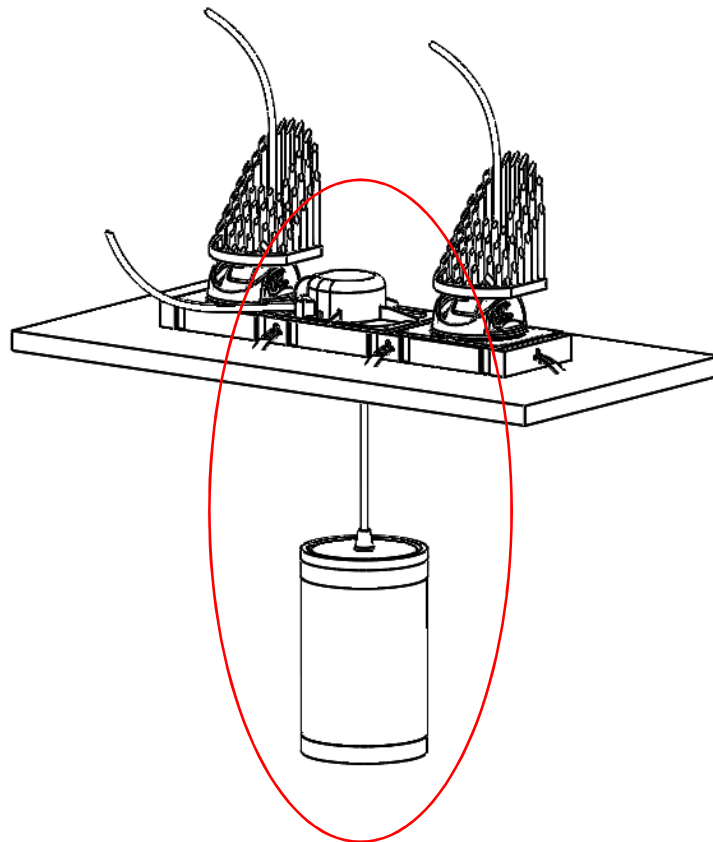
# MYO Pendant Mount INSTALLATION INSTRUCTIONS

These installation instructions are used for installing the following luminaires and kits

Luminaire Variant	Mounting Kits (Shipped Separately)
MYO 1X SCYL	None
MYO 1X SCYL FL	Square 1 Mud Ring
MYO 2X SCYL	None
MYO 2X SCYL FL	Square 2 Mud Ring
MYO 3X SCYL	None
MYO 3X SCYL FL	Square 3 Mud Ring

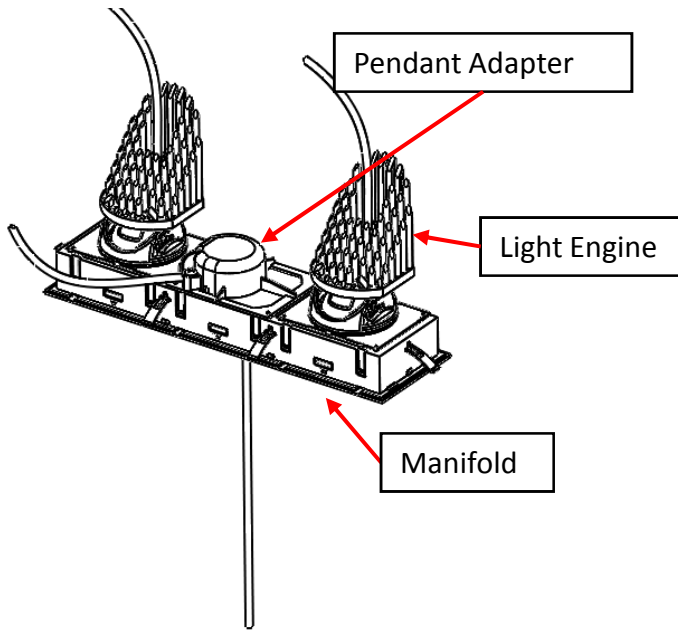
Identification of MYO Pendant Mount ..... Page 3  
 Installation of MYO Pendant Mount ..... Page 4

## A) Identification of MYO Pendant Mount

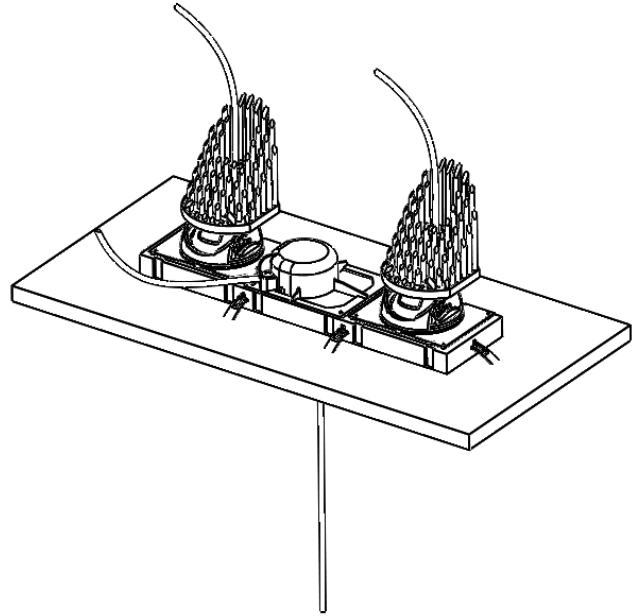


## B) Installation of MYO Pendant Mount

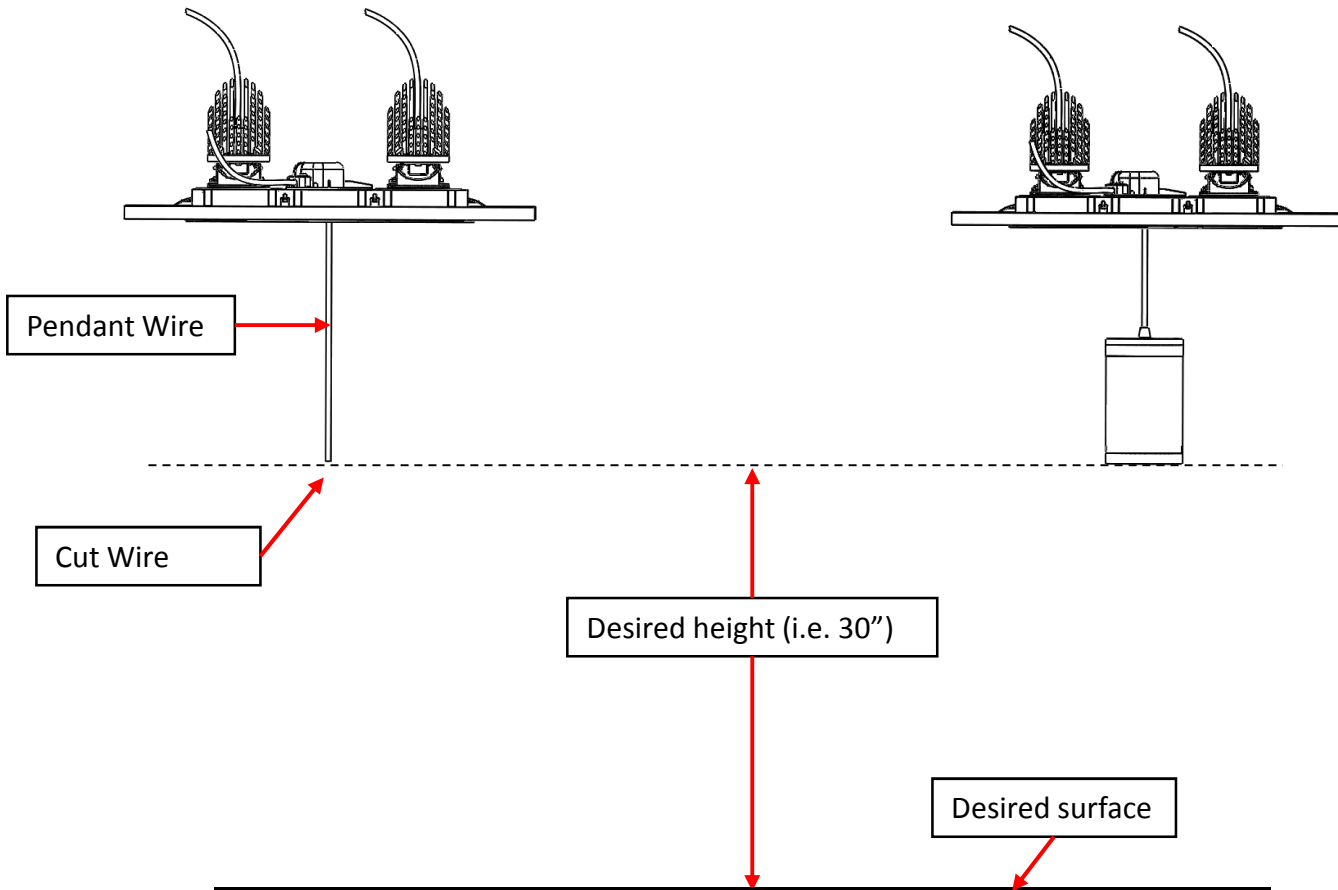
- 1** Assemble light engines and Pendant adapter to the manifold as shown \*See standard assembly instructions for complete fixture installation instructions



- 2** Place the manifold assembly into desired location as shown. \*See standard assembly instructions for complete fixture installation instructions

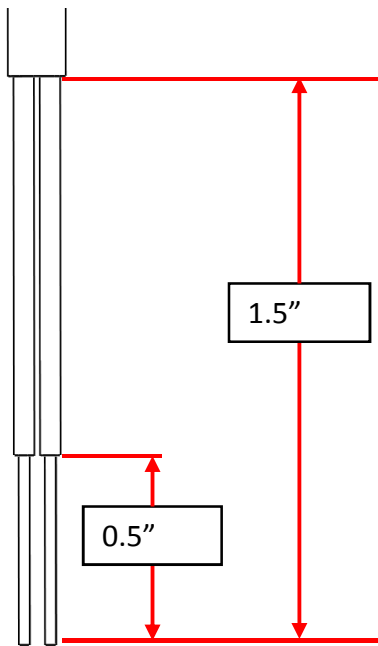


- 3** Measure from the surface (floor, table, countertop) to where the bottom of light fixture will be located (see images for more detail). Cut the wire at the desired height.

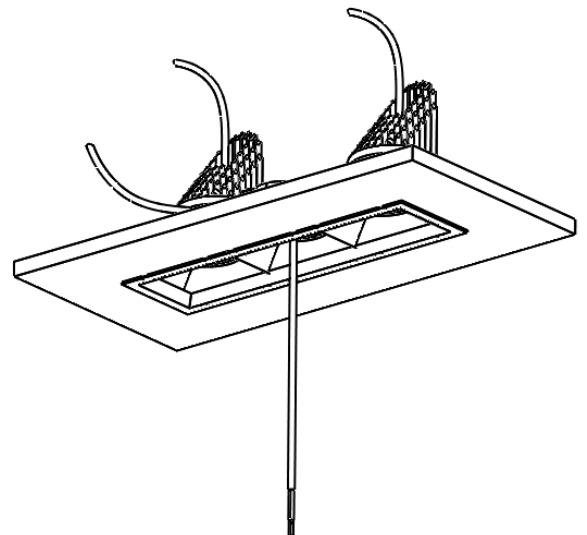
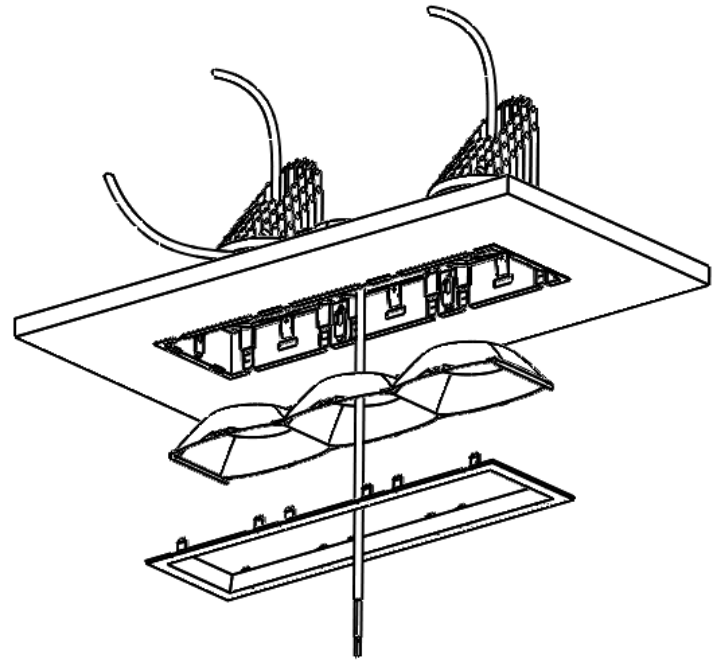


## B) Installation of MYO Pendant Mount (Continued...)

**4** Once wire length has been determined, strip the cable back as shown below

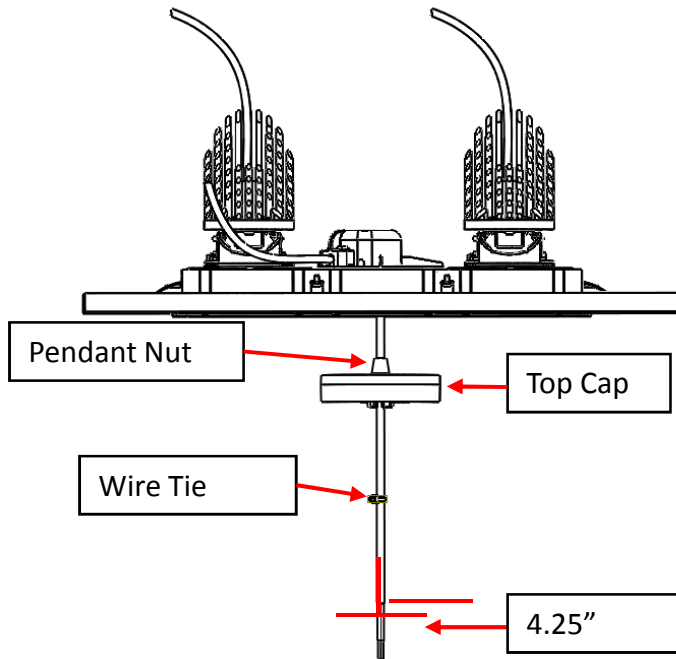


**5** Assemble baffle and trim to the manifold \*See standard instructions on how to secure parts

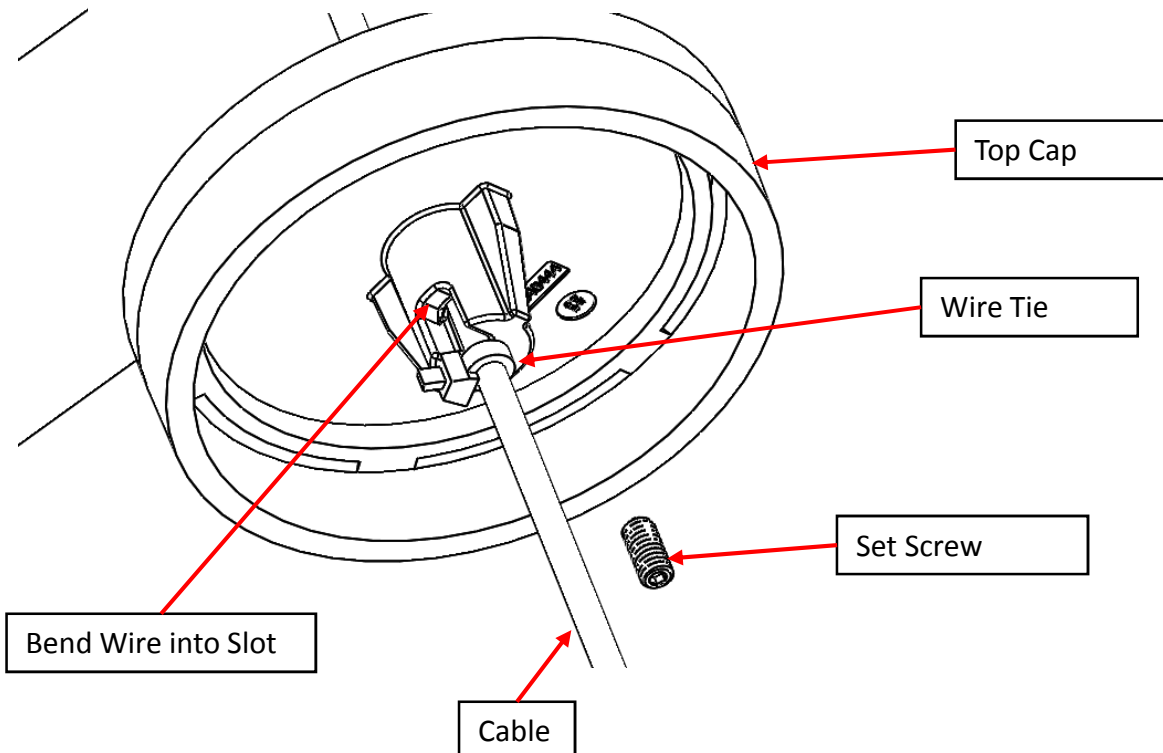


## B) Installation of MYO Pendant Mount (Continued...)

- 6** First, assemble Top Cap and Pendant Nut to the wire as shown. Then, secure zip tie 4.25" from the stripped end of the wire as shown.

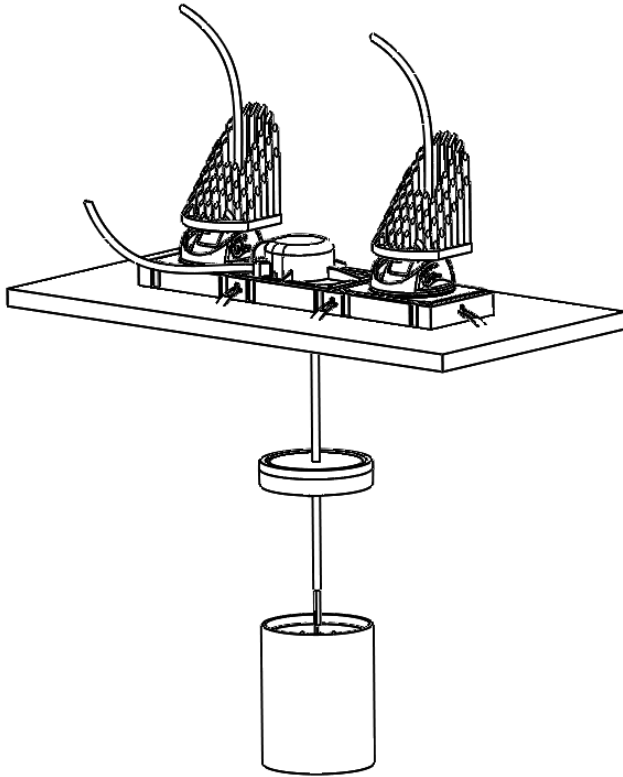


- 7** Slide Pendant Nut and Top Cap assembly down to tie wrap as shown below. Bend the cable into the slot and insert set screw into threads. Tighten the screw until snug.



## B) Installation of MYO Pendant Mount (Continued...)

- 8** Connect the pendant cable wires to the wires inside the cylinder (Black to Black and Red to Red using provided wire nuts)



- 9** Once wiring is completed, secure the Top Cap to the cylinder housing by screwing the two together.

