

Gotham Architectural Downlighting
Compact Fluorescent Downlights

6" AFV
Open Reflector

Vertical Lamp
Double Twin-Tube or Triple-Tube



FEATURES

OPTICAL SYSTEM

- Self-flanged, semi-specular or matte-diffuse reflector. Patented Vertisys® - Bounding Ray™ Optical Principle design (US Patent No. 5,800,050).

MECHANICAL SYSTEM

- 16-gauge galvanized steel construction; maximum 1-5/8" ceiling thickness.
- Telescopic mounting bars maximum of 32" and minimum of 15", preinstalled, 4" vertical adjustment.
- Toolless post-installation adjustments.
- Junction box capacity: 8 (4 in, 4 out) 12AWG rated for 90°C.

ELECTRICAL SYSTEM

- Rugged aluminum lampholder housing.
- Vertically mounted, positive-latch, thermoplastic socket.
- Class P, thermally protected, high-power-factor electronic ballast mounted to the junction box.

LISTING

- Fixtures are UL Listed for thru-branch wiring, non-IC recessed mounting and damp locations. Listed and labeled to comply with Canadian standards.

WARRANTY

- 1-year limited warranty. Complete warranty terms located at: www.acuitybrands.com/CustomerResources/Terms_and_conditions.aspx

NOTE: Actual performance may differ as a result of end-user environment and application.

EXAMPLE: AFV 32TRT 6AR MVOLT WLP

Series	Wattage/Lamp	Aperture/Trim color	Finish	Lens type	Voltage	Ballast ³
AFV	13DTT	6AR Clear	(blank) Semi-specular	(blank) No lens	MVOLT²	(blank) Electronic ballast
	18DTT	6PR Pewter	LD Matte-diffuse	CGL Clear glass lens	120	ECOS^{2,4} Lutron® EcoSystem® electronic dimming ballast. Minimum dimming level 5%.
	26DTT	6WTR Wheat		CAL Clear acrylic lens	277	ADEZ^{4,5} Advance Mark 10® electronic dimming ballast. Minimum dimming level 5%
	13TRT	6WR¹ White painted		PCL Clear polycarbonate lens	347	ADZT² Advance Mark 7® electronic dimming ballast. Minimum dimming level 5%
	18TRT	6MB¹ Black baffle				
	26TRT	6WB¹ White baffle				
	32TRT					
	42TRT					

ORDERING INFORMATION

Options

EL^{5,6}	Emergency battery pack with integral test switch	GMF⁷	Single, slow-blow fuse	CP⁹	Chicago plenum
ELR^{5,6}	Emergency battery pack with remote test switch	TRW	White painted flange (standard on MB and WB)	BDP^{9,10}	Ballast disconnect plug
ELHL^{5,6}	High-lumen-output emergency battery pack with integral test switch	TRBL	Black painted flange	WL	Wet location; lens required
ELRHL^{5,6}	High-lumen-output emergency battery pack with remote test switch	GSKT	Foam gasketing	WRL¹¹	Wattage restriction label
GLR⁷	Single, fast-blow fuse	WLP	With 3500 K lamp (shipped separately)	TWS	Twist lock socket
		RRL⁸	RELOC®-ready luminaire. Provides compatibility with Lithonia RELOC system. Access above ceiling required.		

ACCESSORIES order as separate catalog numbers (shipped separately)

SCA6	Sloped ceiling adapter. Degree of slope must be specified (10D, 15D, 20D, 25D, 30D). Ex: SCA6 10D.
CTA4-8 YK	Ceiling thickness adapter. (Extends mounting frame to accommodate ceiling thickness up to 4-1/4" DTT and 3-1/4" TRT)
NPP16D EFP	nLight network power/relay pack with 0-10V dimming.
NPP16D ER EFP	nLight network power/relay pack with 0-10V dimming. ER controls fixtures on emergency circuit.

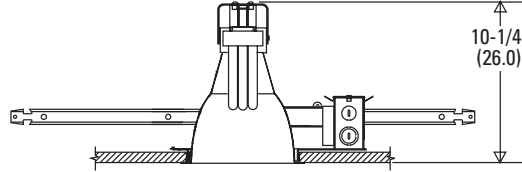
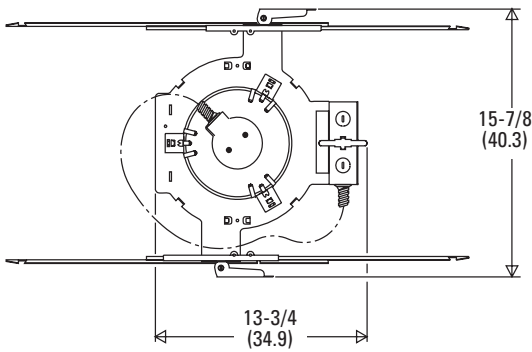
6" AFV
Open Reflector

Vertical Lamp, Double Twin-Tube or Triple-Tube



DIMENSIONAL DATA

All dimensions are inches (centimeters) unless otherwise noted.



- Aperture: 6-1/4 (15.9)
- Ceiling opening: 7-1/8 (18.1)
- Overlap trim: 7-1/2 (19.1)
- Lens recess: 1-1/2 (3.8)

DIMENSIONAL NOTES

- Maximum height depends on lamp wattage/type, dimensions range from 10-3/4" for 18DTT, 26DTT and 42 TRT; 9-3/8" for 13DTT, 18TRT, 26TRT and 32TRT

ELECTRICAL

ENERGY (Calculated in accordance with NEMA standard LE-5A)

LER.DOH	Annual* Energy Cost	Lamps	Lamp Lumens	Ballast Factor	Input Watts
32	\$7.44	(1) 26W DTT	1800	1	20
39	\$6.12	(1) 26W TRT	1800	1	28
38	\$6.34	(1) 32W TRT	2400	0.98	36

*Comparative yearly lighting energy cost per 1000 lumens

NOTES

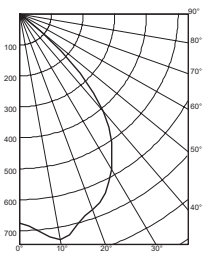
ORDERING NOTES

1. Not available with finishes.
2. Multi-volt electronic ballast capable of operating on any voltage from 120V through 277V, 50 or 60 Hz.
3. For additional ballast types, refer to [TECH-250](#).
4. Not available with 13W.
5. Available in 120V or 277V only.
6. For dimensional changes, refer to [TECH-140](#).
7. Not available with MVOLT; must specify voltage
8. For compatible RELOC systems, refer to [TECH-110](#).
9. Not available with EL or ELR option.
10. Meets codes that require in-fixture disconnect.
11. Must specify wattage: Ex.: WRL32

Distribution Curve Distribution Data Output Data Coefficient of Utilization Illuminance: Single Luminaire 30" Above Floor

AFV 26TRT 6AR

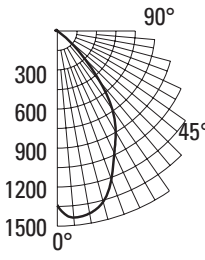
(1) PL-T 26W/30/4P LAMP, 1800 RATED LUMENS, 1.2 S/MH, TEST NO. 94021501



From 0°	Ave Lumens	Zone Lumens %lamp	pf pc pw	80% 50% 30%	20% 70% 50% 30%	50% 50% 30%	Mount height	Initial fc at beam center	50% beam angle 63.7° Beam diameter	fc at beam edge	10% beam angle 93.3° Beam diameter	fc at beam edge
0°	676	0°-30° 559.4 31.1	1	66 65	65 63	62 61	8'	22.3	6.8'	11.2	11.7'	2.2
5°	706	0°-40° 871.9 48.4	2	61 58	60 57	58 56	10'	12.0	9.3'	6.0	15.9'	1.2
15°	704	0°-60° 1085.5 60.3	3	56 53	55 52	53 51	12'	7.5	11.8'	3.7	20.1'	0.7
25°	639	0°-90° 1085.7 60.3	4	51 48	51 47	49 46	14'	5.1	14.3'	2.6	24.4'	0.5
35°	505	90°-180° 0 0.0	5	47 43	47 43	46 42	16'	3.7	16.8'	1.9	28.6'	0.4
45°	269	0°-180° 1085.7 60.3*	6	44 40	43 39	42 39						
55°	4		7	41 36	40 36	39 36						
65°	0	*Efficiency	8	38 34	37 33	37 33						
75°	0		9	35 31	35 31	34 31						
85°	0		10	33 29	32 29	32 28						
90°	0											

AFV 32TRT 6AR

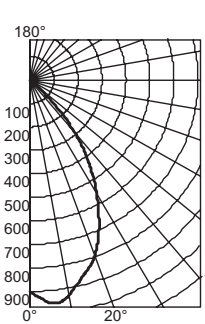
(1) PL-T 32W/30/4P LAMP, 2400 RATED LUMENS, 1.1 S/MH, TEST NO. 17111



From 0°	Ave Lumens	Zone Lumens %lamp	pf pc pw	80% 50% 30%	20% 70% 50% 30%	50% 50% 30%	Mount height	Initial fc at beam center	50% beam angle 54.6° Beam diameter	fc at beam edge	10% beam angle 89.4° Beam diameter	fc at beam edge
0°	1146	0°-30° 787.2 54.7	1	66 64	65 63	62 61	8'	37.9	5.7'	18.9	10.9'	3.8
5°	1150	0°-40° 1177.5 49.1	2	61 58	60 57	58 56	10'	20.4	7.7'	10.2	14.8'	2.0
15°	1012	0°-60° 1430.1 59.6	3	56 53	55 52	53 51	12'	12.7	9.8'	6.4	18.8'	1.3
25°	861	0°-90° 1438.3 59.9	4	52 48	51 47	49 47	14'	8.7	11.9'	4.3	22.8'	0.9
35°	631	90°-180° 0 0.0	5	48 44	47 43	46 43	16'	6.3	13.9'	3.1	26.7'	0.6
45°	308	0°-180° 1438.3 59.9*	6	44 40	44 40	43 39						
55°	20	*Efficiency	7	41 37	41 37	40 36						
65°	6		8	38 34	38 34	37 34						
75°	2		9	36 32	35 32	35 31						
85°	0		10	33 29	33 29	33 29						
90°	0											

AFV 32TRT 6MB

(1) PL-T 32W/30/4P LAMP, 2400 RATED LUMENS, 1.0 S/MH, TEST NO. 2196071001



Ave Lumens	Zone Lumens % Lamp	pf pc pw	80% 50% 30%	20% 70% 50% 30%	50% 50% 30%	50% beam angle	10% beam angle	Mount height	Initial fc at beam center	fc at beam edge	Beam diameter	fc at beam edge
0° 903	0° - 30° 643 26.8	0	50 50 50	49 49 49	47 47 47	53.6°	84.2°	8.0	29.9	5.6	14.9	9.9
5° 951	0° - 40° 906 37.7	1	46 45 44	45 45 44	44 43 42			10.0	16.1	7.6	8.0	13.6
15° 861	0° - 60° 1007 42.0	2	43 41 40	42 41 39	41 40 38			12.0	10.0	9.6	5.0	17.2
25° 682	0° - 90° 1007 42.0	3	40 38 36	39 37 36	38 37 35			14.0	6.8	11.6	3.4	20.8
35° 428	90° - 180° 0 0.0	4	37 35 33	37 34 33	36 34 32			16.0	5.0	13.6	2.5	24.4
45° 134	0° - 180° 1007 42.0	5	35 32 30	34 32 30	33 31 30							
55° 0		6	32 30 28	32 30 28	31 29 28							
65° 0		7	30 28 26	30 27 26	29 27 26							
75° 0		8	28 26 24	28 26 24	28 25 24							
85° 0		9	27 24 22	26 24 22	26 24 22							
90° 0		10	25 22 21	25 22 21	24 22 21							

PHOTOMETRY NOTES

- Tested to current IES and NEMA standards under stabilized laboratory conditions.
- Consult factory or IES file for microgroove baffle, black cone or other photometric reports.